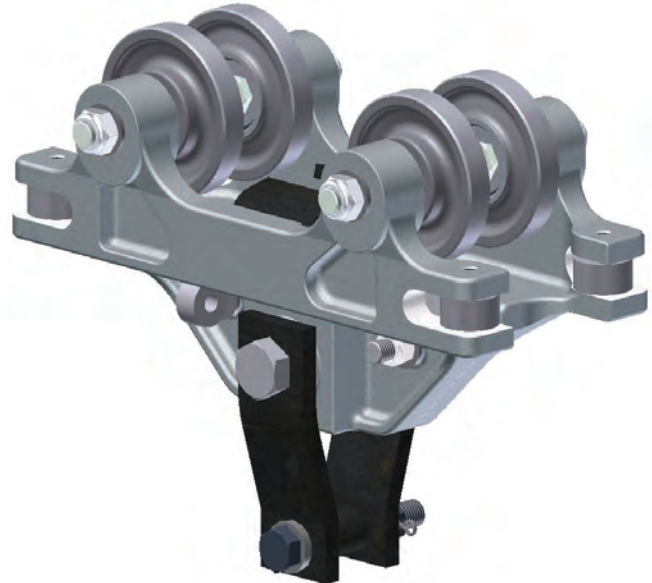
**10060****10061****Model Number**

- **10060** BT-325-10 for operation on 3.25/3.33" flange flat rail
- **10061** BT-325-10-DHS for operation on 3.25/3.33" flange flat rail
- **10062** BT-333-10 for operation on 3.33" flange 6" S-Beam
- **10063** BT-333-10-DHS for operation on 3.33" flange 6" S-Beam

**Application**

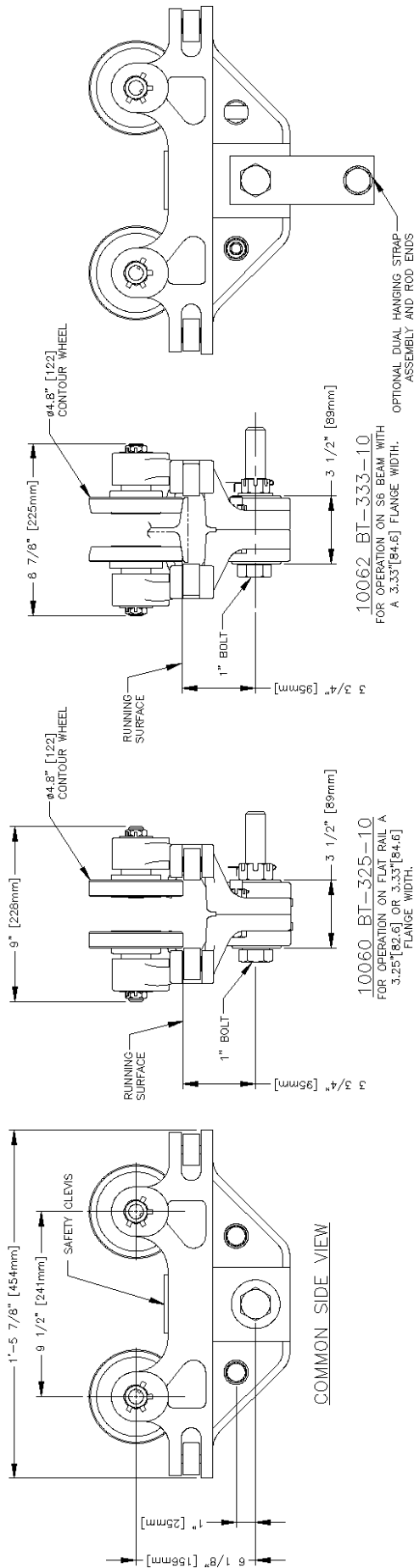
- Used in pairs for heavy load bridge crane end truck assemblies
- For suspension of portable tools, balancer, hoists, fixtures etc.
- For bridge beam trolley with optional dual hanging strap designated by DHS.

**Features**

- Patented dual safety clevis
- High tensile almag alloy frames
- 4.81" diameter heavy duty load wheels
- Hardened and ground ball bearing side thrust rollers
- Minimum track radius is 10'-0"

**Options**

- Available with dual hanging straps for suspension of heavy hook mounted loads. Rod ends come with dual hanging straps for safety cable.
- Available with universal swivel assembly



**BT-325-10 OR BT-333-10  
TROLLEY SPECIFICATIONS:**

RATED LOAD: 4000 LBS (1814 Kg)  
 WEIGHT: 50 LBS (22.4 Kg)  
 BODY: HIGH TENSILE ALMAG WHEELS:  
 4.8" [121.9] DIA.  
 FLAT DR CONTOURED  
 WHEEL STUD: 3/4" [19] DIA. GREASE  
 FITTING OPTIONAL  
 10"-0" MINIMUM RADIUS  
 SIDE THRUST ROLLERS: BALL BEARING  
 HARDENED & GROUND

**NOTE:**

WHEN ORDERING PLEASE SPECIFY EXACT WIDTH  
 OF RUNNING SURFACE FLANGE:  
 3.25" [82.6] FOR FLAT RAIL  
 3.33" [84.6] FOR S6 BEAM

• ALL DIMENSIONS ARE REFERENCE ONLY

**BT-325-10, BT-333-10, BT-325-10-DHS, BT-333-10-DHS**

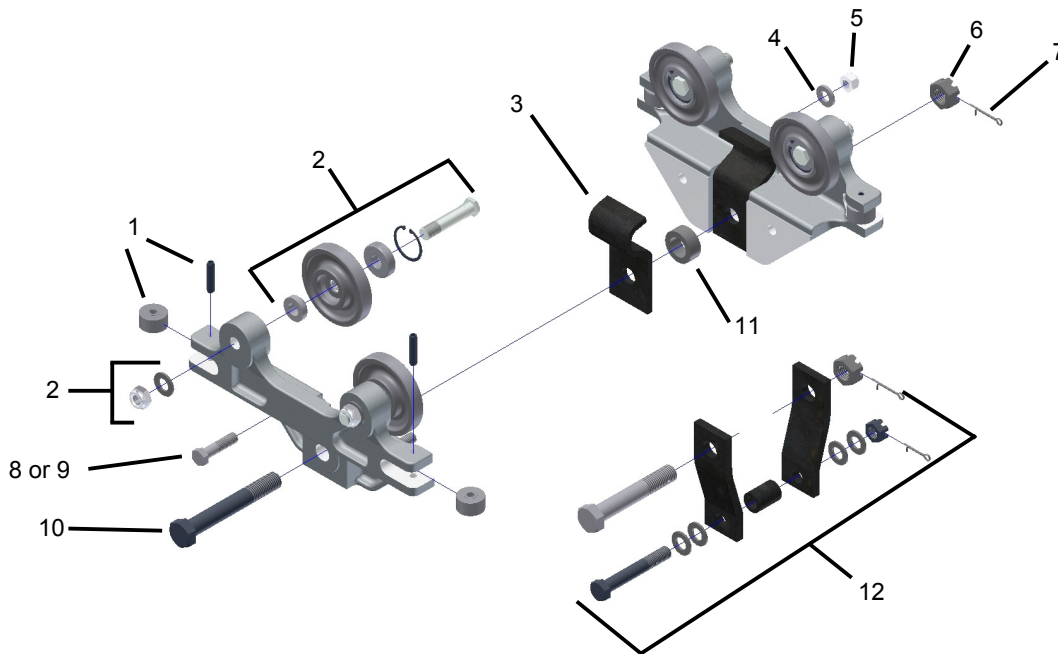
REF.	STOCK CODE	DESCRIPTION	QUANTITY
1	15033	Guide Roller Assembly	4
		3044-1 1.62 G. R. Bearing	4
		7/16" x 2" Spring Pin	4
2	30300	3046 Flat Wheel Sub-Assembly	4
		4.8" Flat Wheel	4
		Snap Ring	4
		Wheel Bearing	4
		Stud	4
		Spacer	4
		3/4" Flat Washer	4
		3/4" Nylon Insert Jam Nut	4
3	61110	Safety Strap	2
4	53240	5/8" Flat Washer	2
5	52255	5/8" Nylon Insert Lock Nut	2
6	52400	1" Slotted Hex Nut	1
7	54083	5/32" Cotter Pin	1
8	51020	5/8" Hex Bolt	2
9**	50102	5/8" Rod End	2
10	51550	1" Hex Bolt	1
11	55610	Spacer	1
12**	15110	DHS-5012-1 Hanger Strap Sub-Assembly	1
		1" Hex Bolt	1
		1" Slotted Hex Nut	1
		3/16" Cotter Pin	1
		Spacer	1
		Hanger Strap	2
		3/4" Hex Bolt	1
		3/4" Slotted Hex Nut	1
		5/3" Cotter Pin	1
		3/4" Washer	4

\*\* For DHS Option Only

**BT-325-10, BT-333-10, BT-325-10-DHS, BT-333-10-DHS OPTIONS**

(See Pages 20 for Optional Wheels)

STOCK CODE		DESCRIPTION
30320	3047	4.8" Contour Wheel Assembly
30390	3061	4.8" Brass Flanged Wheel Assembly



**OPTIONAL WHEEL ASSEMBLIES**



**BRASS**  
**4.5" DIA. FLANGED WHEEL**  
3030 - Flat or Contour / Brass (30380)



**4.62" DIA. WHEEL**  
3029 - Contour (Shown) (30270)  
Single Bearing  
3011 - Flat (30250)  
3005 - Flat / Double Bearing (30290)  
3038 - Contour / Double Bearing (30240)



**4.8" DIA. WHEEL**  
3047 - Contour (Shown) (30320)  
3046 - Flat (30300)



**BRASS**  
**4.8" DIA. FLANGED WHEEL**  
3061 - Flat (Shown) or Contour Brass  
(30390)