

PAGE 3

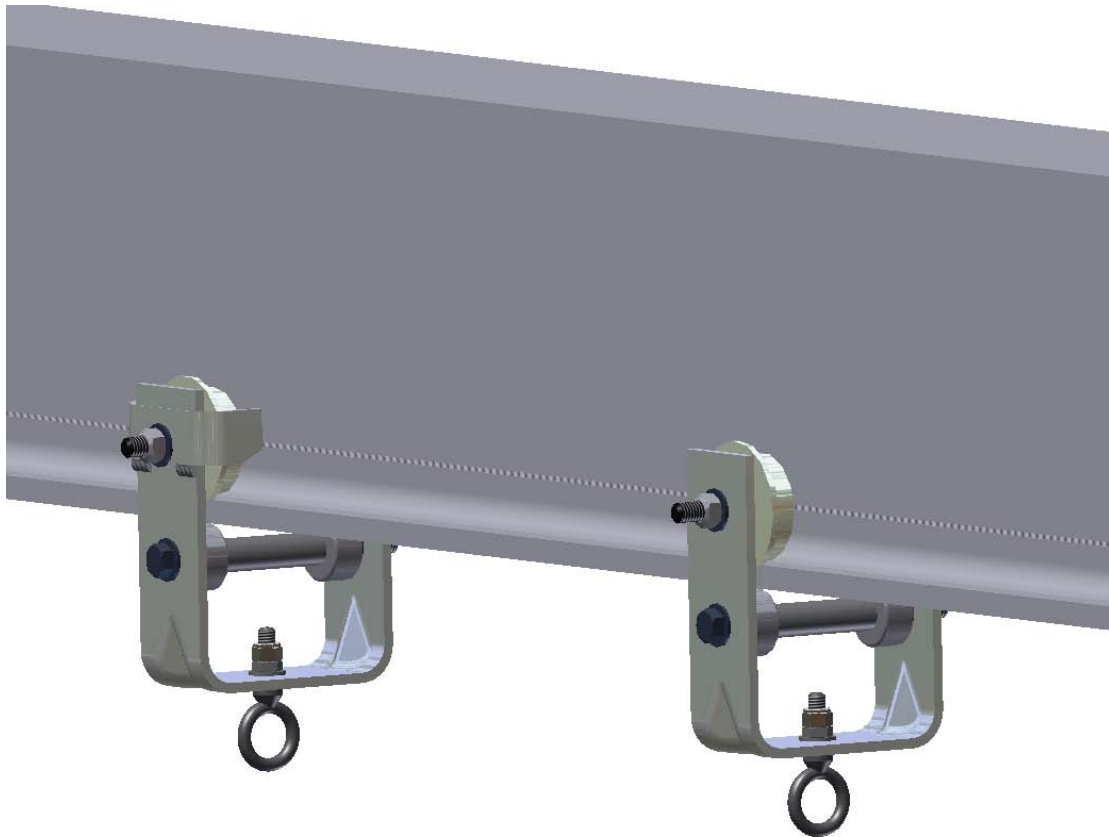
PATENT RAIL AND
STANDARD SHAPES
TROLLEYS

UNIFIED
TWO WHEEL
FESTOON TROLLEYS
150 POUND
MAXIMUM RATED LOAD



UNIFIED INDUSTRIES, INC.

Howell, Michigan



Part Number

- **10080** FT-233 for operation on 2.33" flange 3" S-Beam
- **10100** FT-266 for operation on 2.66" flange 4" S-Beam
- **10120** FT-325 for operation on 3.25/3.33" flange flat rail
- **10135** FT-333 for operation on 3.33" flange 6" S-Beam

Trolleys with Bumpers

- **10090** FT-233-B for operation on 2.33" flange 3" S-Beam
- **10110** FT-266-B for operation on 2.66" flange 4" S-Beam
- **10130** FT-325-B for operation on 3.25/3.33" flange flat rail
- **10137** FT-333-B for operation on 3.33" flange 6" S-Beam

Application

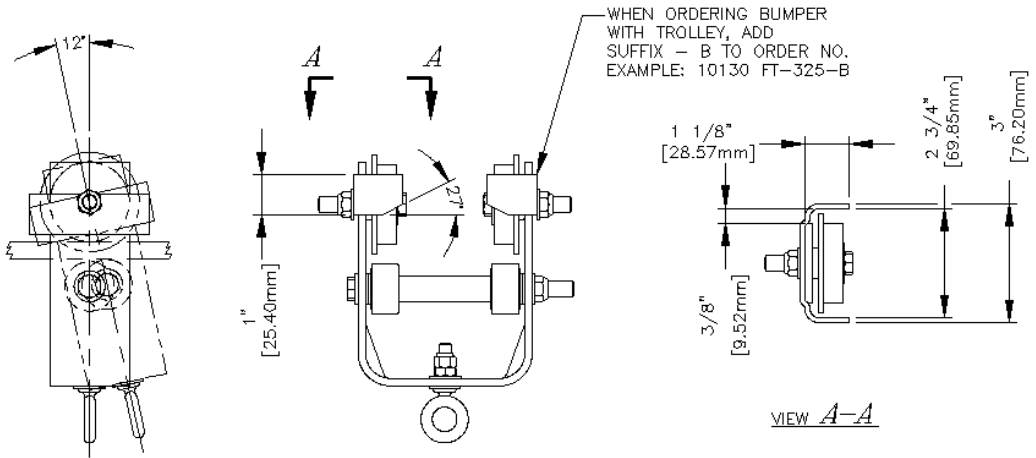
- For festooning of cable or hose along runway
- For suspension of small portable tools
- For suspension of light duty balancers

Features

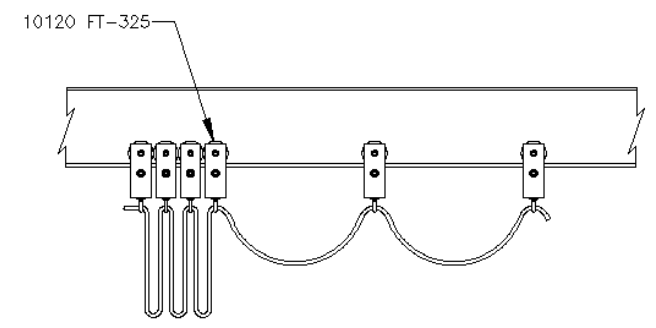
- 2 inch diameter ball bearing flanged load wheels
- Flat or tapered tread for flat rail or S-Beam
- Flat ball bearing "kick-up" wheels
- Bumpers are optional

Options

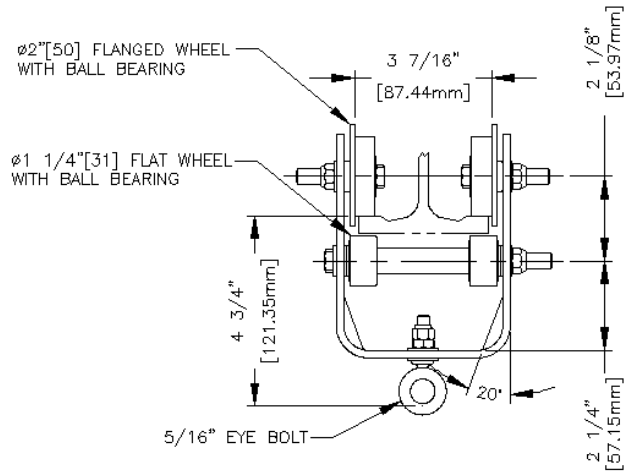
- Can be furnished with various festooning saddles to accommodate either round or flat cables, consult factory.



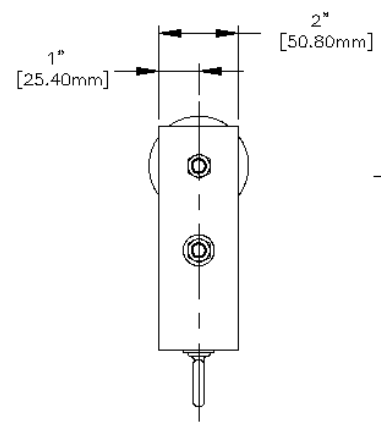
TROLLEY APPLICATION



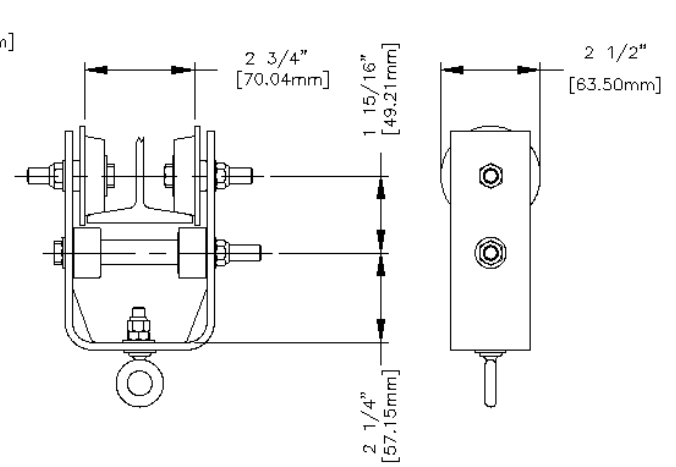
• ALL DIMENSIONS ARE REFERENCE ONLY



10135 FT-333 TROLLEY
 FOR USE ON S6 BEAM.
 TROLLEY LOAD RATING: 150LBS (67.2Kgs)
 10137 FT-333-B



10120 FT-325 TROLLEY
 FOR USE ON FLAT TRACK WITH
 A 3.25" [82.6] OR 3.33" [84.6] FLANGE WIDTH.
 TROLLEY LOAD RATING: 150LBS (67.2Kgs)
 10130 FT-325-B

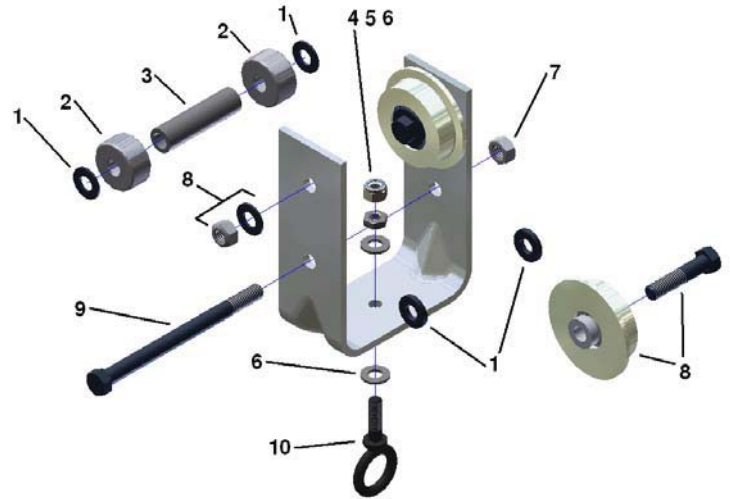


10100 FT-266 TROLLEY
 FOR USE ON S4 BEAM WITH
 A 2.66" [67.6] FLANGE WIDTH.
 TROLLEY LOAD RATING: 150LBS (67.2Kgs)
 10110 FT-266-B

10080 FT-233 TROLLEY
 FOR USE ON S3 BEAM WITH
 A 2.33" [59.2] FLANGE WIDTH.
 TROLLEY LOAD RATING: 150LBS (67.2 Kgs)
 10090 FT-233-B

FT-325, FT-325-B (BUMPER)
FT-333, FT-333-B (BUMPER)

REF.	STOCK CODE	DESCRIPTION	QUANTITY
1	53040	3/8" Washer	4
2	56170	3021 1.25" Guide Roller	2
3	55730	FT-333 Spacer	1
4	52020	5/16" Nylon Locknut	1
5	52040	5/16" Hex Nut	1
6	53030	5/16" Washer	2
7	52095	3/8" Top Lock Nut	1
8	30010	3022 Flanged Flat Wheel Sub-Assembly	2
		2" Flat Wheel	2
		Wheel Bearing	2
		3/8" Washer	2
		3/8" Top Lock Nut	2
		3/8" Hex Bolt	2
9	50600	3/8" Hex Bolt	1
10	50020	5/16" Eyebolt	1



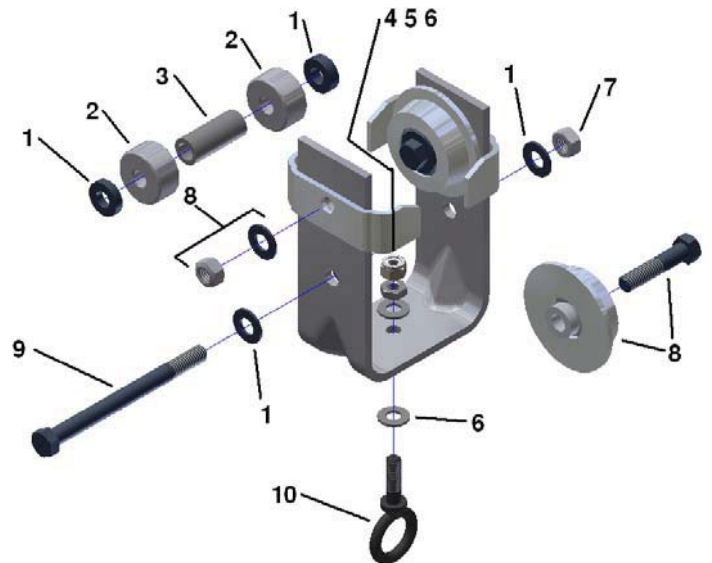
FT-333 and FT-333-B OPTIONS

(See Page 19 for Optional Wheels)

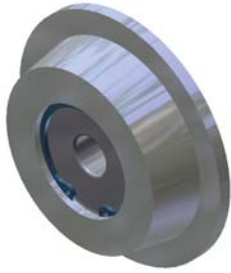
STOCK CODE		DESCRIPTION
30020	3039	2" Flanged Contour Wheel Assembly

FT-233, FT-233-B (BUMPER)
FT-266, FT-266-B (BUMPER)

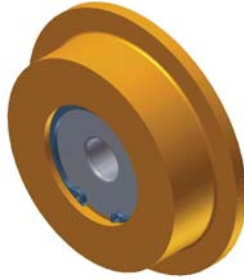
REF.	STOCK CODE	DESCRIPTION	QUANTITY
1	53040	3/8" Washer	4
2	56170	3021 1.25" Guide Roller	2
3	55710	FT-233 Spacer	1
4	52020	5/16" Nylon Locknut	1
5	52040	5/16" Hex Nut	1
6	53030	5/16" Washer	2
7	52095	3/8" Top Lock Nut	1
8	30020	3039 Flanged Contour Wheel Sub-Assembly	2
		2" Contour Wheel	2
		Wheel Bearing	2
		3/8" Washer	2
		3/8" Top Lock Nut	2
		3/8" Hex Bolt	2
9	50600	3/8" Hex Bolt	1
10	50020	5/16" Eyebolt	1



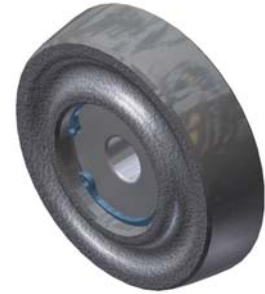
OPTIONAL WHEEL ASSEMBLIES



2" DIA. FLANGED WHEEL
3039 - Contour (Shown) (30020)



2" DIA. BRAS FLANGED WHEEL
Flat (Shown) (30365)



2.4" DIA. WHEEL
3053 - Contour (Shown) (30060)



3.2" DIA. WHEEL
3050 - Contour (Shown) (30110)



4" DIA. CONVEYOR WHEEL
3017 - Flat (Shown) (30420)
3018 - Contour (30430)



BRASS
3.2" DIA. FLANGED WHEEL
3065 - Flat or Contour Brass (30370)