

## Part Number

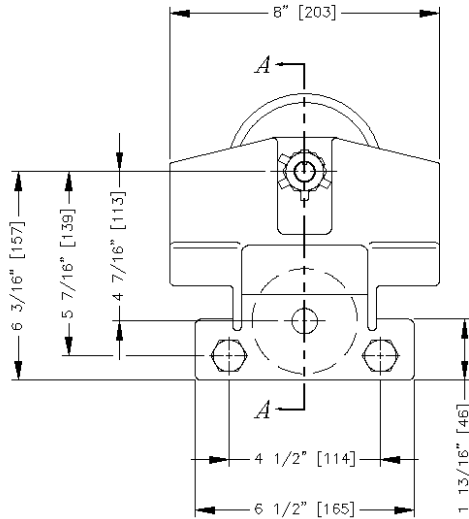
- **10150** MBC-1000-3-325 with kickup wheels for operation on 3.25"/3.33" flange flat rail. 1000 lb. Rated Load
- **10151** MBC-1000-3-333 with kickup wheels for operation on 3.33" flange 6" S-Beam. 1000 lb. Rated Load
- **10152** MBC-1500-3-325 with kickup wheels for operation on 3.25"/3.33" flange flat rail. 1500 lb. Rated Load
- **10153** MBC-1500-3-333 with kickup wheels for operation on 3.33" flange 6" S-Beam. 1500 lb. Rated Load

## Application

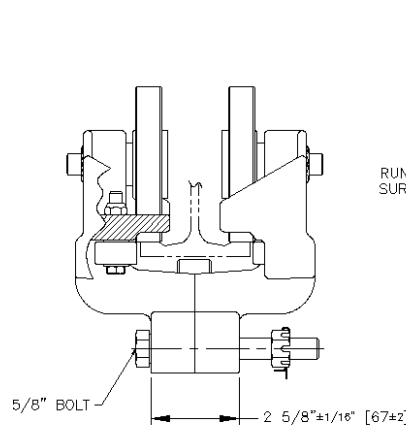
- Used in pairs on one or both end truck assemblies of medium or standard bridge cranes with overhanging bridge beam
- Can be adapted for tools or fixtures where a "kick-up" rolling action is required

## Features

- Built-in safety lugs, integral in frames
- High tensile almag alloy frames
- 4.62" diameter drop forged steel load wheels with low friction sealed bearings permanently lubricated
- Third wheel acts as a counter thrust to avoid kick-up when load is extended beyond normal bridge span. This will allow movement of bridge with suspended load
- Hardened and ground ball bearing side thrust rollers

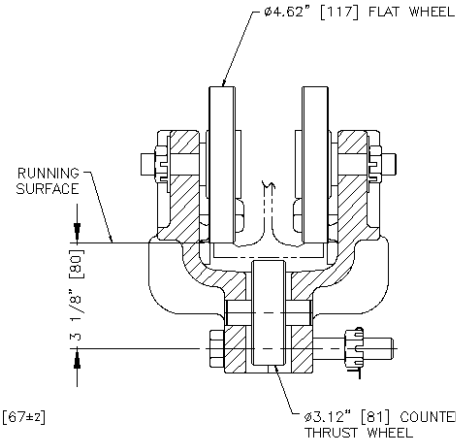


COMMON SIDE VIEW

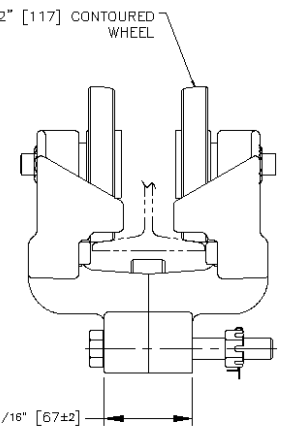


10150 MBC-1000-325

TWO WHEEL TROLLEY WITH COUNTER THRUST WHEEL FOR OPERATION ON FLAT RAIL WITH 3.25" [82.6] OR 3.33" [84.6] FLANGE WIDTH. SPECIFY 1000LBS [448Kgs] OR 1500LBS [672Kgs] (10152)



SECTION A-A



10151 MBC-1000-333

TWO WHEEL TROLLEY WITH COUNTER THRUST WHEEL FOR OPERATION ON S6 BEAM WITH 3.33" [84.6] FLANGE WIDTH. SPECIFY 1000LBS [448Kgs] OR 1500LBS [672Kgs] (10152)

- ALL DIMENSIONS ARE REFERENCE ONLY

<u>TROLLEY SPECIFICATIONS</u>	<u>NOTE:</u>
RATED LOAD: 1000 LBS [448Kgs] 1500 LBS [672Kgs]	WHEN ORDERING PLEASE SPECIFY EXACT WIDTH OF RUNNING SURFACE. FLANGE OPTIONS ARE: 3.25" [82.6] FOR STD. FLAT RAIL & 3.33" [84.6] FLAT RAIL. 3.33" [84.6] FOR S6 BEAM
WEIGHT: 16LBS [7.2Kgs]	
TROLLEY BODY: HIGH TENSILE ALMAG	
WHEEL: 4.62" [117mm] DIA.	
STUD: 5/8" [15.9mm] DIA.	
THRUST ROLLERS: BALL BEARING HARDENED AND GROUND.	

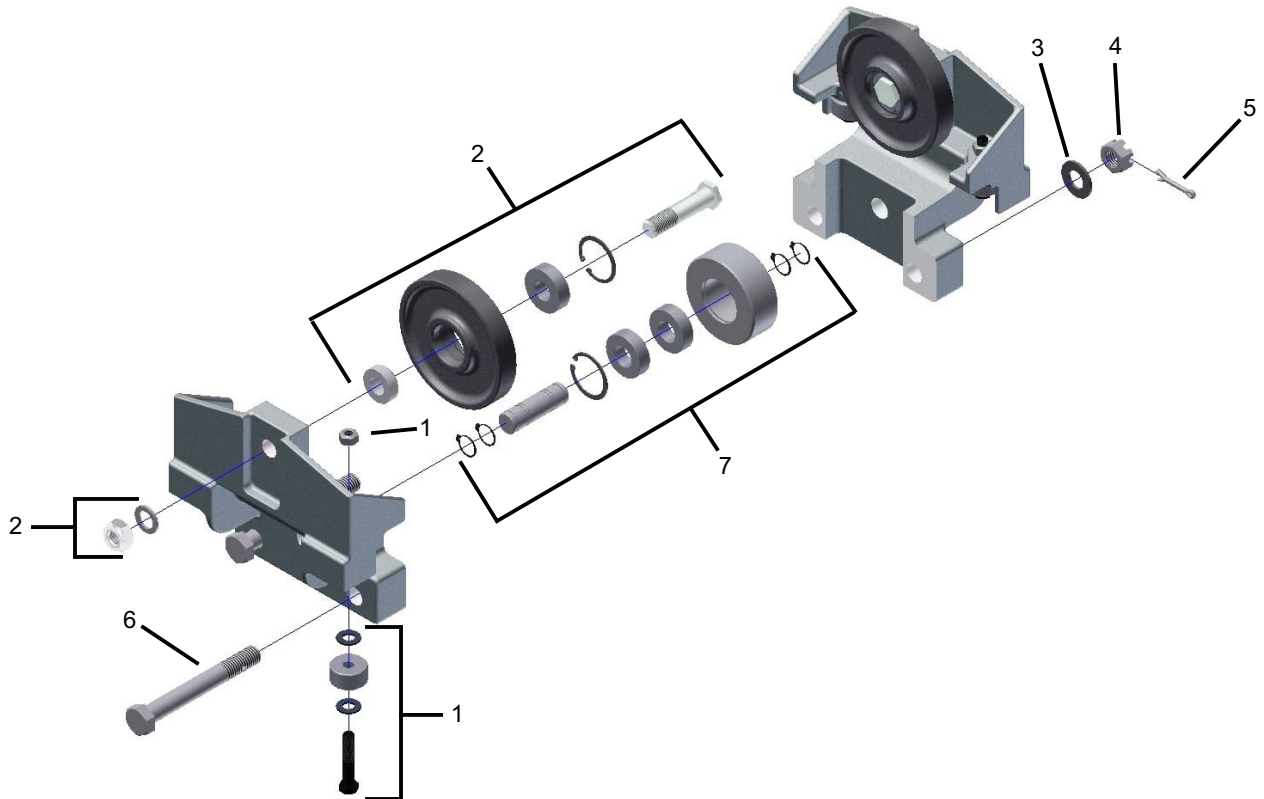
### MBC-1000 With Kickup Wheels

REF.	STOCK CODE	DESCRIPTION	QUANTITY
1	15020	Guide Roller Sub-Assembly	4
		3021 1.25" Guide Roller	4
		3/8" Hex Bolt	4
		3/8" Top Lock Nut	4
		3/8" Washer	8
2	30250	3011 Flat Wheel Sub-Assembly	2
		4.6" Flat Wheel	2
		Snap Ring	2
		Wheel Bearing	2
		Stud	2
		Spacer	2
		5/8" Wheel Stud Washer	2
		5/8" Nylon Insert Jam Nut	2
3	53070	5/8" Washer	2
4	52290	5/8" Slotted Hex Nut	2
5	54083	5/32" Cotter Pin	2
6	51110	5/8" Hex Bolt	2
7	30080	Double Bearing Kick-Up Wheel Assembly	1
		3.12" Double Bearing Kick-Up Wheel	1
		Wheel Bearing	2
		Snap Ring	1
		Snap Ring	4
		Double Bearing Kick-Up Axle	1

### MBC-1000 With Kickup Wheels OPTIONS

(See Page 20 for Optional Wheels)

STOCK CODE	STOCK CODE	DESCRIPTION
30270	3029	4.6" Contour Wheel Assembly
30290	3005	4.6" Double, Flat Wheel Assembly (MBC-1500)
30240	3038	4.6" Double, Contour Wheel Assembly (MBC-1500)
30380	3054	4.5" Flanged Brass Wheel Assembly



**OPTIONAL WHEEL ASSEMBLIES**



**BRASS**  
**4.5" DIA. FLANGED WHEEL**  
3030 - Flat or Contour / Brass (30380)



**4.62" DIA. WHEEL**  
3029 - Contour (Shown) (30270)  
Single Bearing  
3011 - Flat (30250)  
3005 - Flat / Double Bearing (30290)  
3038 - Contour / Double Bearing (30240)



**4.8" DIA. WHEEL**  
3047 - Contour (Shown) (30320)  
3046 - Flat (30300)



**BRASS**  
**4.8" DIA. FLANGED WHEEL**  
3061 - Flat (Shown) or Contour Brass  
(30390)