

PAGE 5

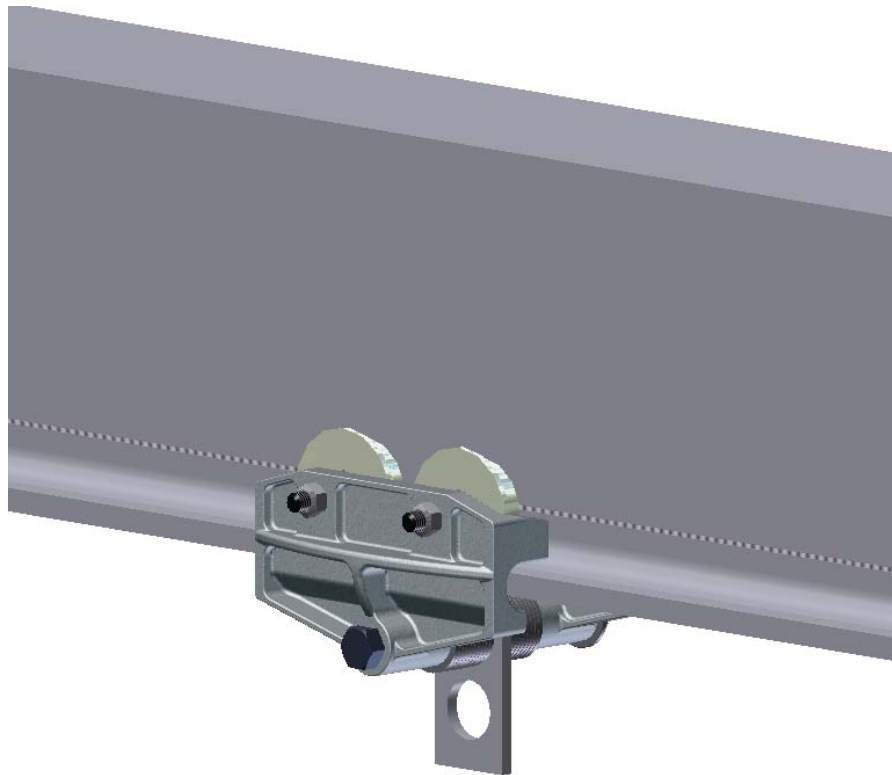
PATENT RAIL AND
STANDARD SHAPES
TROLLEYS

UNIFIED
FOUR WHEEL
TROLLEYS
250 POUND
MAXIMUM RATED LOAD



UNIFIED INDUSTRIES, INC.

Howell, Michigan



Part Number

- **10210** MT-250-B for operation on 3.25"/3.33" flange flat rail
- **10211** MT-250-B for operation on 3.33" flange 6" S-Beam
- **10212** MT-250-B for operation on 2.66" flange 4" S-Beam

Application

- For suspension of light duty balancer or hoist
- For suspension of portable tools or fixtures

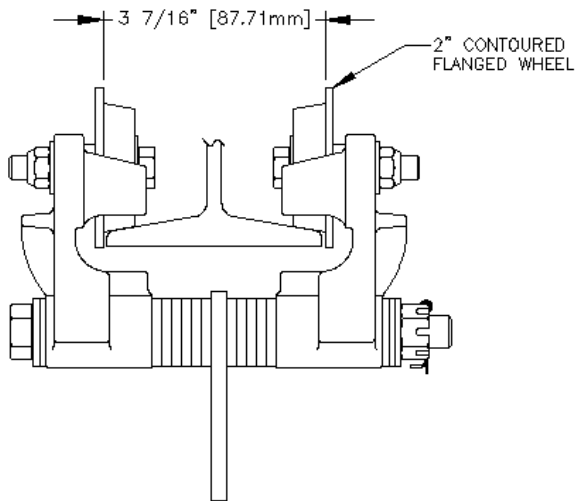
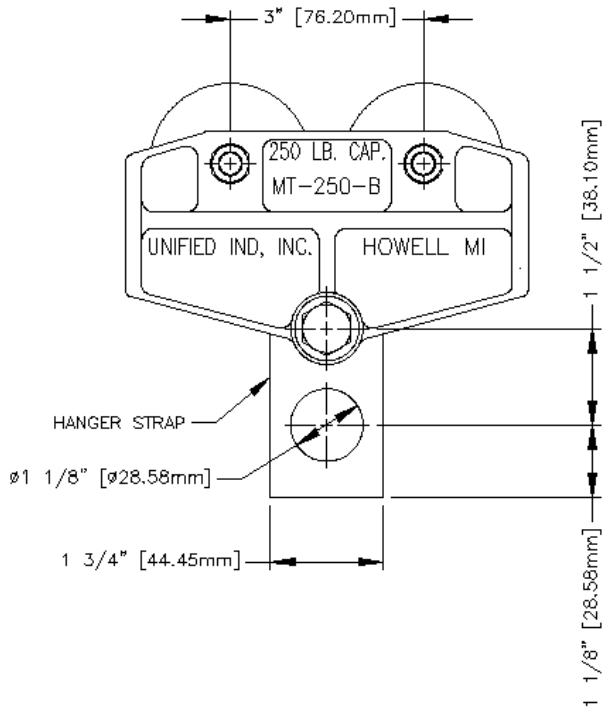
Features

- Adjustable width to fit flat rail and 4" to 6" S-Beam
- High tensile almag alloy frames
- Built in safety lugs also prevent "kick-up"
- Ball bearing flanged load wheels for flat rail or S-Beam
- Minimum track radius is 36"

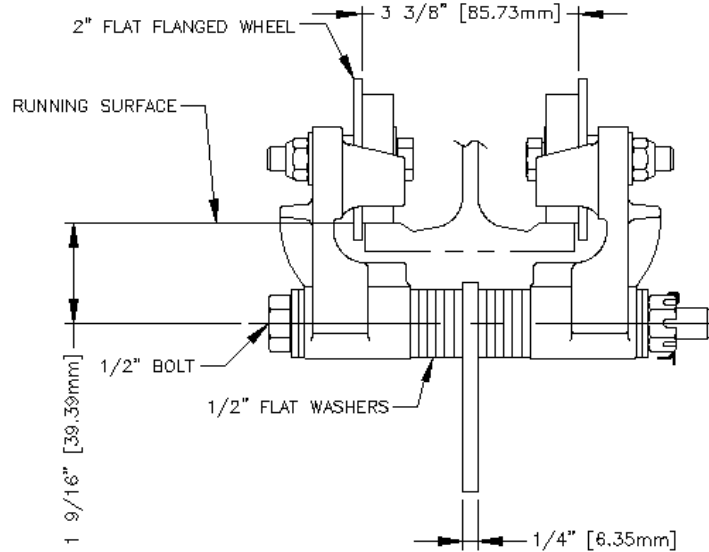
Options

- Can be furnished with load link

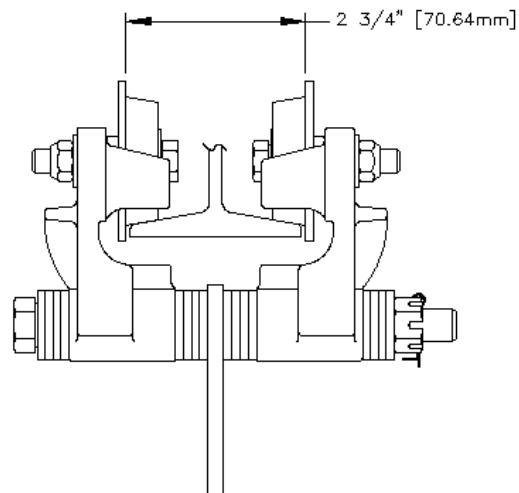
© Copyright 2010, Unified Industries, Inc. www.unified-ind.com



10211 MT-250-B-333
FOR OPERATION ON S6 BEAM
WITH A 3.33"[84.6] FLANGE WIDTH



10210 MT-250-B-325
FOR OPERATION ON FLAT RAIL WITH A
3.25"[82.6] OR 3.33"[84.6] FLANGE WIDTH



10212 MT-250-B-266
FOR OPERATION ON S4 BEAM
WITH 2.66"[67.6] FLANGE WIDTH

TROLLEY SPECIFICATIONS

RATED LOAD: 250 lbs. (112 kgs)
WEIGHT: 5.5 lbs. (2.5 kgs)
BODY: HIGH TENSILE ALMAG
WHEELS: 2" DIA. FLAT OR CONTOURED FLANGED
STUDS: 3/8" DIA.
BEARING TYPE: BALL THRUST BEARING, HARDENED
AND GROUND.

NOTE:

WHEN ORDERING SPECIFY WIDTH OF
RUNNING SURFACE FLANGE
3.25" FOR STD. OR SPECIAL FLAT RAIL
3.33" FOR S6 BEAM
2.66" FOR S4 BEAM

• ALL DIMENSIONS ARE REFERENCE ONLY

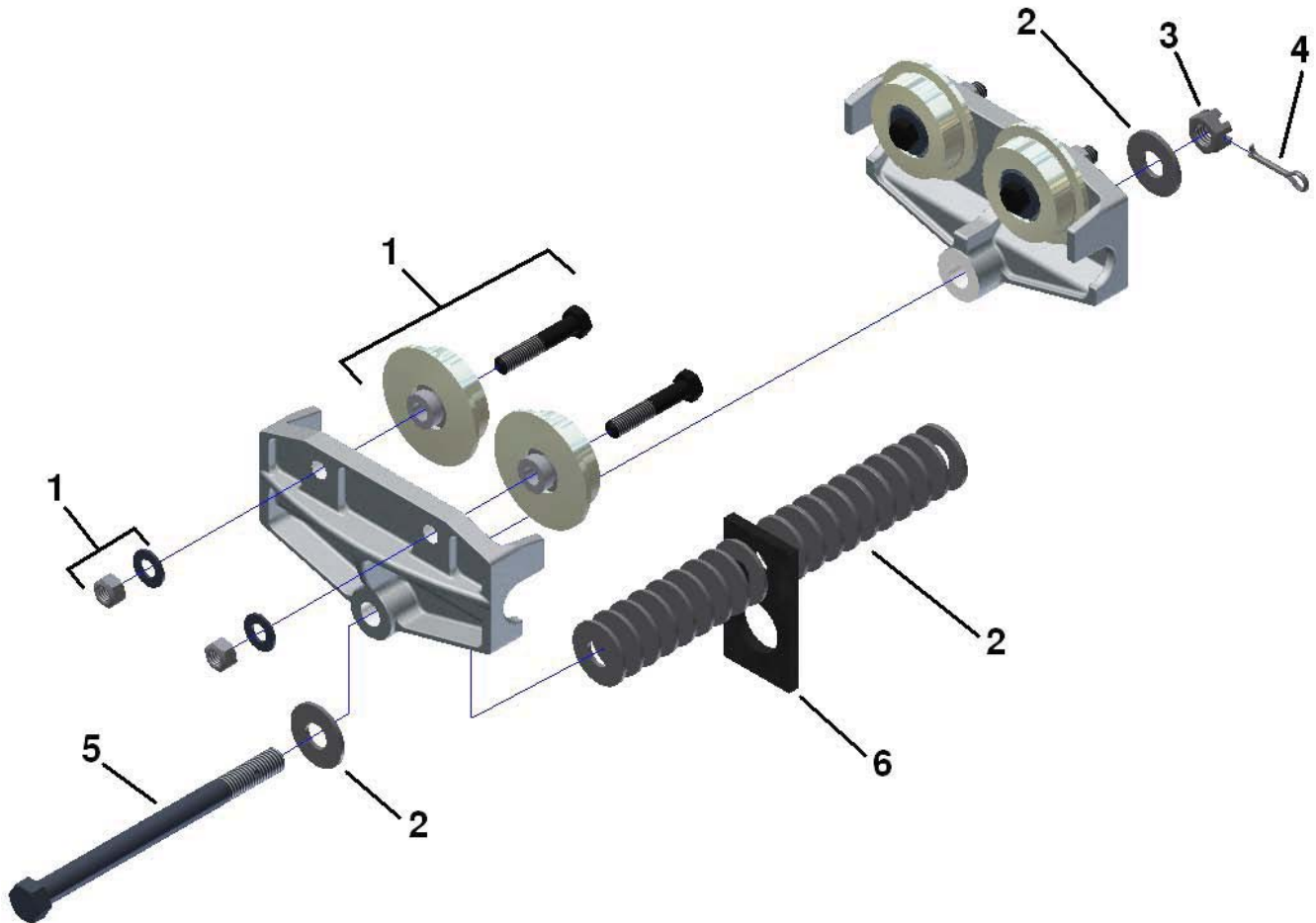
MT-250-B

REF.	STOCK CODE	DESCRIPTION	QUANTITY
1	30010	3022 Flanged Flat Wheel Sub-Assembly	4
		2" Flanged Flat Wheel	4
		Wheel Bearing	4
		3/8" Washer	4
		3/8" Top Lock Nut	4
		3/8" Hex Bolt	4
2	53140	1/2" Washer	21
3	52220	1/2" Slotted Hex Nut	1
4	54040	1/8" Cotter Pin	1
5	50910	1/2" Hex Bolt	1
6	61180	MT-250B Hanger Strap	1

MT-250-B OPTIONS

(See Page 19 for Optional Wheels)

STOCK CODE		DESCRIPTION
30020	3039	2" Flanged Contour Wheel Assembly
30025		2" Brass Flanged Contour Wheel Assembly
30365		2" Brass Flanged Flat Wheel Assembly



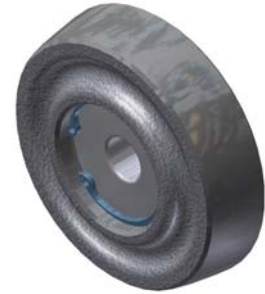
OPTIONAL WHEEL ASSEMBLIES



2" DIA. FLANGED WHEEL
3039 - Contour (Shown) (30020)



2" DIA. BRAS FLANGED WHEEL
Flat (Shown) (30365)



2.4" DIA. WHEEL
3053 - Contour (Shown) (30060)



3.2" DIA. WHEEL
3050 - Contour (Shown) (30110)



4" DIA. CONVEYOR WHEEL
3017 - Flat (Shown) (30420)
3018 - Contour (30430)



BRASS
3.2" DIA. FLANGED WHEEL
3065 - Flat or Contour Brass (30370)