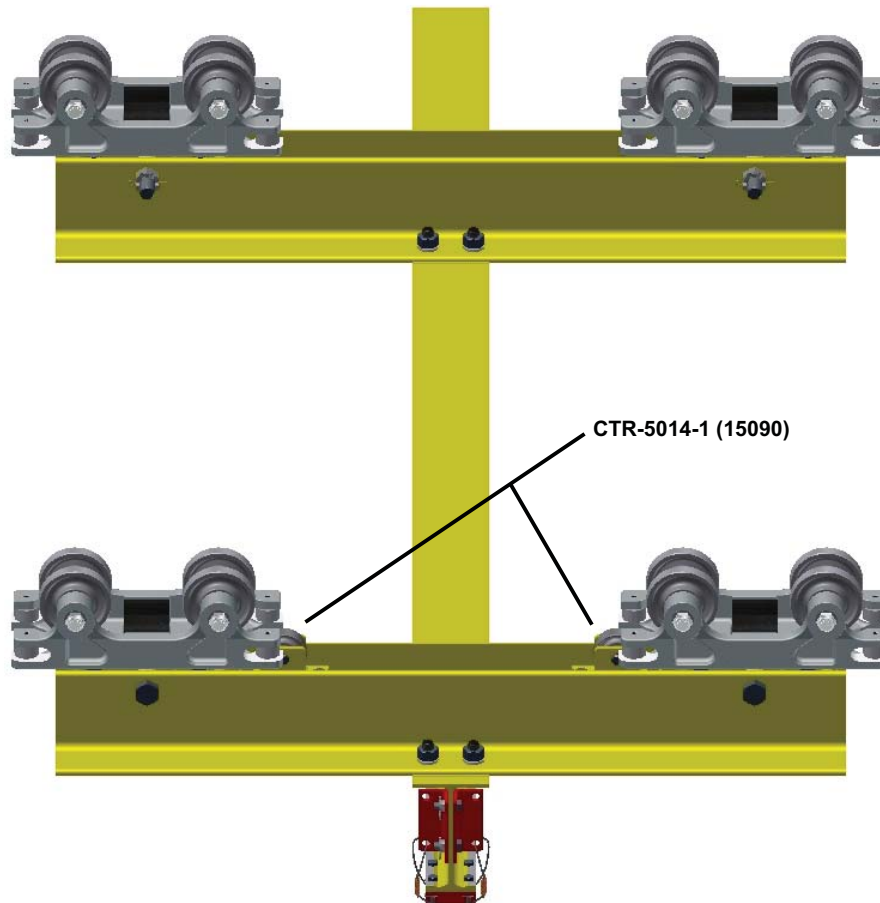




## Counter Thrust Roller Assembly



### Model Number

- CTR-5014-1 (15090)

### Application

- Used singly or in pairs on bridge crane end trucks where wheel engages bottom surface of runway rail to absorb "kick-up" action when load is moved to extreme end of an overhang bridge beam

### Features

- Large 3 1/8" dia. wheel
- Adjustable height for runway rail clearance
- 1,500 lb. Capacity