



Wire rope hoists

Spare parts list

en-US

**Before installing hoist, fill in the information below.
Refer to the Hoist and Motor data plates.**

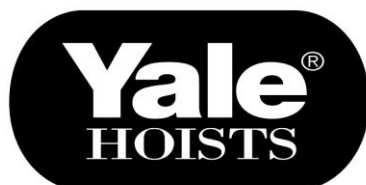
Model No. _____

Serial No. _____

Purchase Date _____

Voltage _____

Rated Load _____



Notes

YALE/SHAWBOX HOIST PARTS AND SERVICES ARE AVAILABLE IN THE UNITED STATES AND IN CANADA

As a Yale/Shawbox Hoist and Trolley user you are assured of reliable repair and parts services through a network of Master Parts Depots and Service Centers that are strategically located in the United States and Canada. These facilities have been selected on the basis of their demonstrated ability to handle all parts and repair requirements promptly and efficiently. To quickly obtain the name of the Master Parts Depot or Service Center located nearest you, call (800) 888-0985, Fax: (716) 689-5644, visit www.cmworks.com

LAS PIEZAS Y REPARACIONES DE LOS POLIPASTOS DE YALE/SHAWBOX ESTÁN ASEGURADAS EN ESTADOS UNIDOS Y CANADÁ

Como usuario de un polipasto y carro de Yale/Shawbox le aseguramos cualquier reparación o la disponibilidad de cualquier pieza de repuesto a través de una red de almacenes de piezas de repuesto y centros de servicio situados estratégicamente en Estados Unidos y Canadá. Estas instalaciones se han seleccionado en base a su capacidad demostrada en la reparación de equipos y suministro de piezas de repuesto de forma rápida y eficaz. Para obtener la dirección del almacén de piezas de repuesto o del centro de servicio más cercano, llame al teléfono (800) 888-0985. Fax: (716) 689-5644, visite www.cmworks.com (sólo en Estados Unidos y Canadá).

LE SERVICE DE RÉPARATION ET DE PIÈCES POUR PALANS YALE/SHAWBOX EST DISPONIBLE AUX ÉTATS-UNIS ET AU CANADA

Soyez assurés qu'en temps d'utilisateur de palan et treuil Yale/Shawbox, d'un service de réparation et de pièces fiable par l'entremise d'un réseau de Centres de service et de Dépôts de pièces maîtresses qui sont stratégiquement situés aux États-Unis et au Canada. Ces établissements ont été sélectionnés sur une base de leur habileté démontrée à s'occuper promptement et efficacement des besoins de réparation de pièces. Appelez le (800) 888-0985, Fax: (716) 689-5644, visite www.cmworks.com pour obtenir rapidement le nom du dépôt de pièces maîtresses ou du centre de service situé le plus près.

Table of contents

YKC/SKC

Table of contents

| | |
|---|----|
| 12/2H71-MF hoist motor | 5 |
| 4H71-MF hoist motor | 7 |
| 4HS5-MF hoist motor | 9 |
| 12/2H72-MF hoist motor | 11 |
| 4H72-MF hoist motor | 13 |
| 4HS7-MF hoist motor | 15 |
| Intermediate gear | 17 |
| Gear, standard | 18 |
| Gear 1PS, 1PD with overload cut-off device | 19 |
| Rope drum | 20 |
| Stationary rope suspension | 22 |
| Rope suspension | 23 |
| H122-1 bottom hook block | 24 |
| H130-1 bottom hook block | 25 |
| H190-1 bottom hook block | 26 |
| T141-2 hook traverse | 28 |
| H225-2, H226-2 bottom hook block | 29 |
| H378-2 bottom hook block | 31 |
| H162-4 bottom hook block (2PD) | 33 |
| H226-4 bottom hook block (4PS, max. 10000 kg) | 35 |
| H227-4 bottom hook block (4PS, max. 12500 kg, 15 US tons) | 37 |
| H228-4 bottom hook block (4PS, max. 10000 kg) | 38 |
| Terminal box | 39 |
| UE-S45 trolley | 40 |
| KE-S6 trolley | 41 |
| OE-S05 trolley | 42 |
| OE-S06 trolley | 43 |
| DKE-S65 articulated trolley | 44 |

General information

YKC/SKC

General information

The parts lists and illustrations in this section of the manual cover parts for wire rope hoist. A typical hoist is shown as the basis for the exploded parts illustrations; therefore, certain variations may occur from the information given.

For this reason, always correspond with:

1. Hoist Model Number from identification plate.
2. Serial number of the hoist stamped below identification plate.
3. Catalog Number
4. Voltage, phase, hertz from the identification plate.
5. Hoist Capacity
6. Length of lift.
7. Part number of part from parts list.
8. Number of parts required.
9. Part name from parts list.
10. Hoist Serial Number.

Certain parts of your hoist will, in time, require replacement under normal wear conditions. Other items such as gaskets, fasteners, insulators, etc., may be damaged or lost during disassembly. It is suggested that these parts be purchased for your hoist as spares for future use. These parts are listed at the end of this manual.

The numbers assigned to parts of our various assemblies in our Parts List are the part numbers used in manufacturing. Some of these itemized parts are not for individual sale, but must be grouped with other related replacement items.

WHEN ORDERING PARTS OR INFORMATION ON THIS EQUIPMENT, ALWAYS INCLUDE MODEL AND SERIAL NUMBER ON ORDER.

WARNING

Alterations or modifications of equipment and use of non-factory repair parts can lead to dangerous operation and injury.

TO AVOID INJURY:

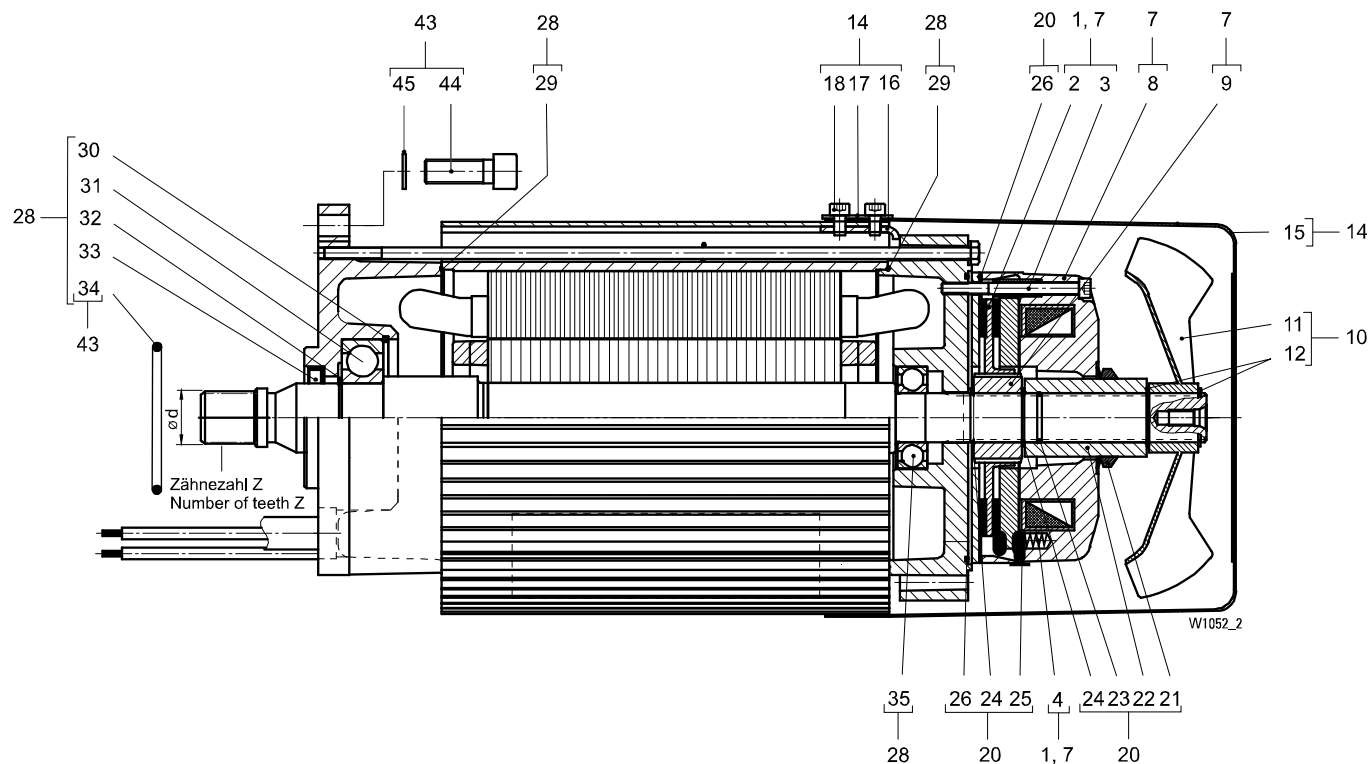
- Do not alter or modify equipment.
 - Do use only factory replacement parts.
-

**PARTS
STAR**  TM
BY COLUMBUS MCKINNON

Spare parts list YKC/SKC

Spare parts list YKC/SKC

12/2H71-MF hoist motor



| Item | Part no. | Qty. | Description | Specification | Comment |
|------|-------------|------|----------------------------|--|---------------------|
| | A70002195 | 1 | Motor | YKC/SKC w. drum speed 80 fpm | Pos.43 1), 4) |
| | A70002196 | 1 | Motor | YKC/SKC w. drum speed 100, 128 fpm | Pos.43 1), 4) |
| | A70002205 | 1 | Motor | YKC/SKC w. drum speed 40, 48, 64, 160, 200 fpm | Pos.43 1), 4) |
| 1 | A2727073650 | 1 | Brake rotor spare part set | | Pos.2 – 4 |
| 7 | A2727030650 | 1 | Brake compl. | 100 V / 180 – 460 V, 50 Hz | Pos.1, 8 – 9, 20 2) |
| 7 | A2727031650 | 1 | Brake compl. | 130 V / 500 – 525 V, 50 Hz | Pos.1, 8 – 9, 20 2) |
| 7 | A2727032650 | 1 | Brake compl. | 150 V / 575 – 690 V, 50 Hz | Pos.1, 8 – 9, 20 2) |
| 9 | A5674850 | 1 | Hub | | |
| 10 | A2727000650 | 1 | Fan wheel set | | Pos.11 – 12 |
| 11 | | 1 | Fan wheel | | |
| 12 | | 2 | Retaining ring | 35×1.5 DIN 471 | |
| 14 | A2727001650 | 1 | Fan cover set | | Pos.15 – 18 |
| 15 | | 1 | Fan cover | | |
| 17 | | 4 | Safety washer | S8 | |
| 18 | | 4 | Screw | M8×12 DIN 7984-8.8 | |
| 20 | A2727005650 | 1 | Sealing set brake | | Pos.21 – 26 |
| 21 | | 1 | Sealing ring V-seal | | |
| 22 | | 1 | Bushing | | |
| 23 | | 1 | Round sealing ring | 31×3 | |
| 24 | | 2 | Retaining ring | 35×1.5 DIN 471 | |
| 25 | | 1 | Plug | | |
| 26 | | 2 | Round sealing ring | 156×2 NBR70 | |
| 28 | A2727002650 | 1 | Bearings and sealings | | Pos.29 – 35 |
| 29 | | 2 | Round sealing ring | 216×2 NBR70 | |
| 30 | | 1 | Retaining ring | 110×4 DIN 472 | |
| 31 | | 1 | Bearing | 6310-2RS DIN 625 | 3) |

el-o.2.6;12.us;11;1-ys | A11868001 Rev A1

Spare parts list YKC/SKC

| Item | Part no. | Qty. | Description | Specification | | Comment |
|------|-------------|------|--------------------|---------------|----------|-----------------|
| 32 | | 1 | Retaining ring | 50×2 | DIN 471 | |
| 33 | | 1 | Shaft seal | A48×72×8 | DIN 3760 | 3) |
| 34 | | 1 | Round sealing ring | 95×2 | NB70 | |
| 35 | | 1 | Bearing | 6007-2RS | DIN 625 | |
| 43 | A2727003650 | 1 | Gear motor screws | | | Pos.34, 44 – 45 |
| 44 | | 4 | Screw | M12×35 | ISO 4762 | |
| 45 | | 4 | Safety washer | S12 | | |

1) Please state operating voltage, frequency and wire rope hoist type

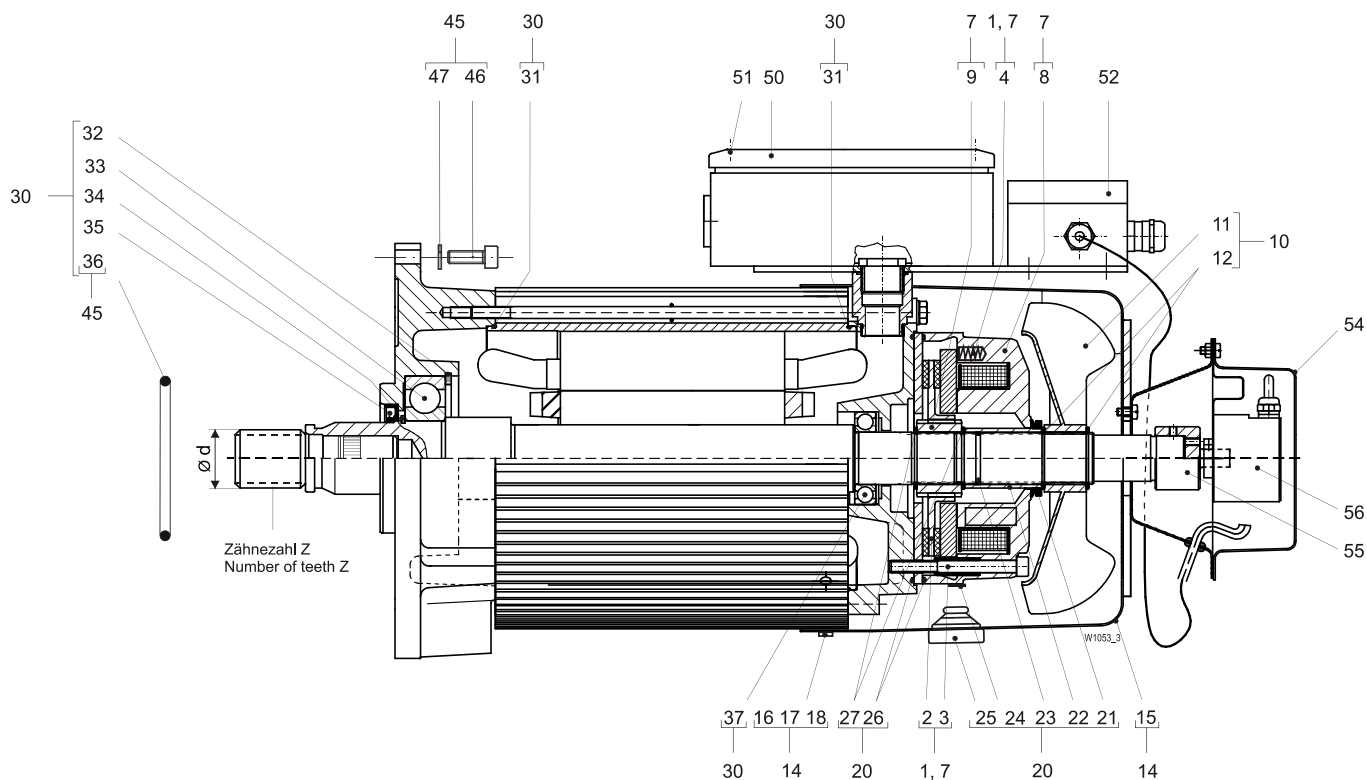
2) Coil voltage / operating voltage motor

3) Only replaceable at YKC/SKC w. drum speed 80 – 160 fpm, Z=13, d<1.97 in

4) Calculating of drum speed = reeving × hoist speed e.g. YKB-T05-020S 2 20 -2-54
reeving hoist speed

Spare parts list YKC/SKC

4H71-MF hoist motor



| Item | Part no. | Qty. | Description | Specification | Comment |
|------|-------------|------|----------------------------|--|---------------------|
| | A70002209 | 1 | Motor | YKC/SKC w. drum speed 80 fpm | Pos.45 1), 4) |
| | A70002226 | 1 | Motor | YKC/SKC w. drum speed 100, 128 fpm | Pos.45 1), 4) |
| | A70002289 | 1 | Motor | YKC/SKC w. drum speed 48, 64, 160, 200 fpm | Pos.45 1), 4) |
| 1 | A2727073650 | 1 | Brake rotor spare part set | | Pos.2 – 4 |
| 7 | A2727028650 | 1 | Brake compl. | 180 V / 380 – 415 V, 100 Hz | Pos.1, 8 – 9, 20 2) |
| 7 | A2727029650 | 1 | Brake compl. | 240 V / 500 – 525 V, 100 Hz | Pos.1, 8 – 9, 20 2) |
| 9 | A5674850 | 1 | Hub | | |
| 10 | A2727000650 | 1 | Fan wheel set | | Pos.11 – 12 |
| 11 | | 1 | Fan wheel | | |
| 12 | | 2 | Retaining ring | 35×1.5 DIN 471 | |
| 14 | A2727018650 | 1 | Fan cover set | | Pos.15 – 18 |
| 15 | | 1 | Fan cover | | |
| 16 | | 4 | Screw | M6×10 DIN 7984 | |
| 17 | | 4 | Safety washer | S6 | |
| 18 | | 4 | Tread block | | |
| 20 | A2727005650 | 1 | Sealing set brake | | Pos.21 – 27 |
| 21 | | 1 | Sealing ring V-seal | | |
| 22 | | 1 | Bushing | | |
| 23 | | 1 | Round sealing ring | 31×3 NBR70 | |
| 24 | | 1 | Plug | | |
| 25 | | 1 | Plug | | |
| 26 | | 2 | Round sealing ring | 156×2 | |
| 27 | | 2 | Retaining ring | 35×1.5 DIN 471 | |
| 30 | A2727002650 | 1 | Bearings and sealings | | Pos.31 – 37 |
| 31 | | 2 | Round sealing ring | 165×2 NBR70 | |
| 32 | | 1 | Retaining ring | 110×4 DIN 472 | |
| 33 | | 1 | Bearing | 6310-2RS DIN 625 | 3) |
| 34 | | 1 | Retaining ring | 50×2 DIN 471 | |
| 35 | | 1 | Shaft seal | A48×72×8 DIN 3760 | 3) |

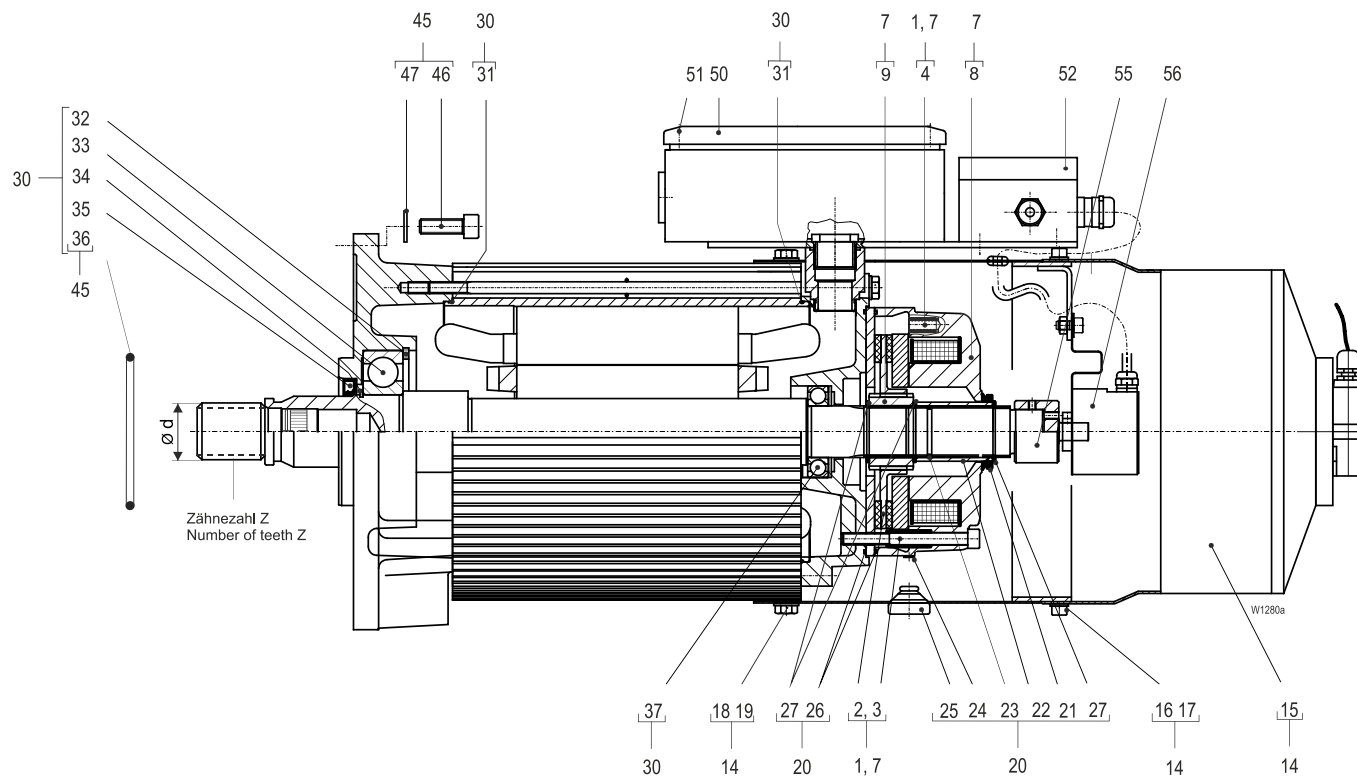
Spare parts list YKC/SKC

| Item | Part no. | Qty. | Description | Specification | Comment |
|------|-------------|------|------------------------|------------------|-----------------|
| 36 | | 1 | Round sealing ring | 95×2 NB70 | |
| 37 | | 1 | Bearing | 6007-2RS DIN 625 | |
| 45 | A2727003650 | 1 | Gear motor screws | | Pos.36, 46 – 47 |
| 46 | | 4 | Screw | M12×35 ISO 4762 | |
| 47 | | 4 | Safety washer | S12 | |
| 50 | A2327017650 | 1 | Terminal box cover | | Pos.51 |
| 51 | | 4 | Screw | M6×20 ISO 1207 | |
| 52 | A5675560 | 1 | Encoder connection set | | |
| 54 | A5675550 | 1 | Cover encoder | | |
| 55 | A2727087650 | 1 | Shaft extension set | MF11 | |
| 56 | A2727083650 | 1 | Encoder set | 600 ppr HTL | |
| 56 | A2727084650 | 1 | Encoder set | 1024 ppr HTL | |

- 1) Please state operating voltage, frequency and wire rope hoist type
- 2) Coil voltage / operating voltage motor
- 3) Only replaceable at YKC/SKC w. drum speed 80 – 160 fpm, Z=13, d<1.97 in
- 4) Calculating of drum speed = reeving × hoist speed e.g. YKB-T05-020S 2 20 -2-54
reeving hoist speed

Spare parts list YKC/SKC

4HS5-MF hoist motor



| Item | Part no. | Qty. | Description | Specification | Comment |
|------|-------------|------|----------------------------|----------------------------------|---------------------|
| | A70002234 | 1 | Motor | YKC/SKC w. drum speed 80 fpm | Pos.45 1), 3) |
| | A70002236 | 1 | Motor | YKC/SKC w. drum speed 100 fpm | Pos.45 1), 3) |
| 1 | A2727088650 | 1 | Brake rotor spare part set | | Pos.2 – 4, 9, 20 |
| 7 | A2527003650 | 1 | Brake compl. | 170 – 216 V / 400 – 500 V, 50 Hz | Pos.1, 8 – 9, 20 2) |
| 9 | | 1 | Hub | | |
| 14 | A2527006650 | 1 | Forced ventilation | | Pos.15 – 19 |
| 15 | | 1 | Fan cover | | |
| 16 | | 4 | Screw | M6×10 ISO 4762 | |
| 17 | | 4 | Safety washer | A6.4 DIN 6797 | |
| 18 | | 4 | Screw | M6×10 EN 24017 | |
| 19 | | 4 | Safety washer | A6.4 DIN 6797 | |
| 20 | A2527005650 | 1 | Sealing set brake | | Pos.21 – 27 |
| 21 | | 1 | Sealing ring V-seal | | |
| 22 | | 1 | Bushing | | |
| 23 | | 1 | Round sealing ring | 30.4×2.4 | |
| 24 | | 1 | Plug | | |
| 25 | | 1 | Plug | | |
| 26 | | 2 | Round sealing ring | 165×2 NBR70 | |
| 27 | | 3 | Retaining ring | 35×1.5 DIN 471 | |
| 30 | A2527008650 | 1 | Bearings and sealings | | Pos.31 – 37 |
| 31 | | 2 | Round sealing ring | 145.2×1.78 NB70 | |
| 32 | | 1 | Retaining ring | 110×4 DIN 472 | |
| 33 | | 1 | Bearing | 6310-2Z/C3/HT | |
| 34 | | 1 | Retaining ring | 50×2 DIN 471 | |
| 35 | | 1 | Shaft seal | AS48×72×8 Viton | |
| 36 | | 1 | Round sealing ring | 95×2 NB70 | |
| 37 | | 1 | Bearing | 6007-2Z/C3/HT | |
| 45 | A2527009650 | 1 | Gear motor screws | | Pos.36, 46 – 47 |
| 46 | | 4 | Screw | M12×35 ISO 4762 | |
| 47 | | 4 | Safety washer | S12 | |

ol-q.2.6;12-us;11.1-ys | A11868001 Rev AI

Spare parts list YKC/SKC

| Item | Part no. | Qty. | Description | Specification | Comment |
|------|-------------|------|------------------------|--------------------|---------|
| 50 | A2427016650 | 1 | Terminal box cover | | Pos.51 |
| 51 | | 4 | Screw | M6×20 ISO 1207-4.8 | |
| 52 | A5675560 | 1 | Encoder connection set | | |
| 55 | A2727087650 | 1 | Shaft extension set | MF11 | |
| 56 | A70006916 | 1 | Encoder set | 600 ppr HTL | |
| 56 | A70006925 | 1 | Encoder set | 1024 ppr HTL | |

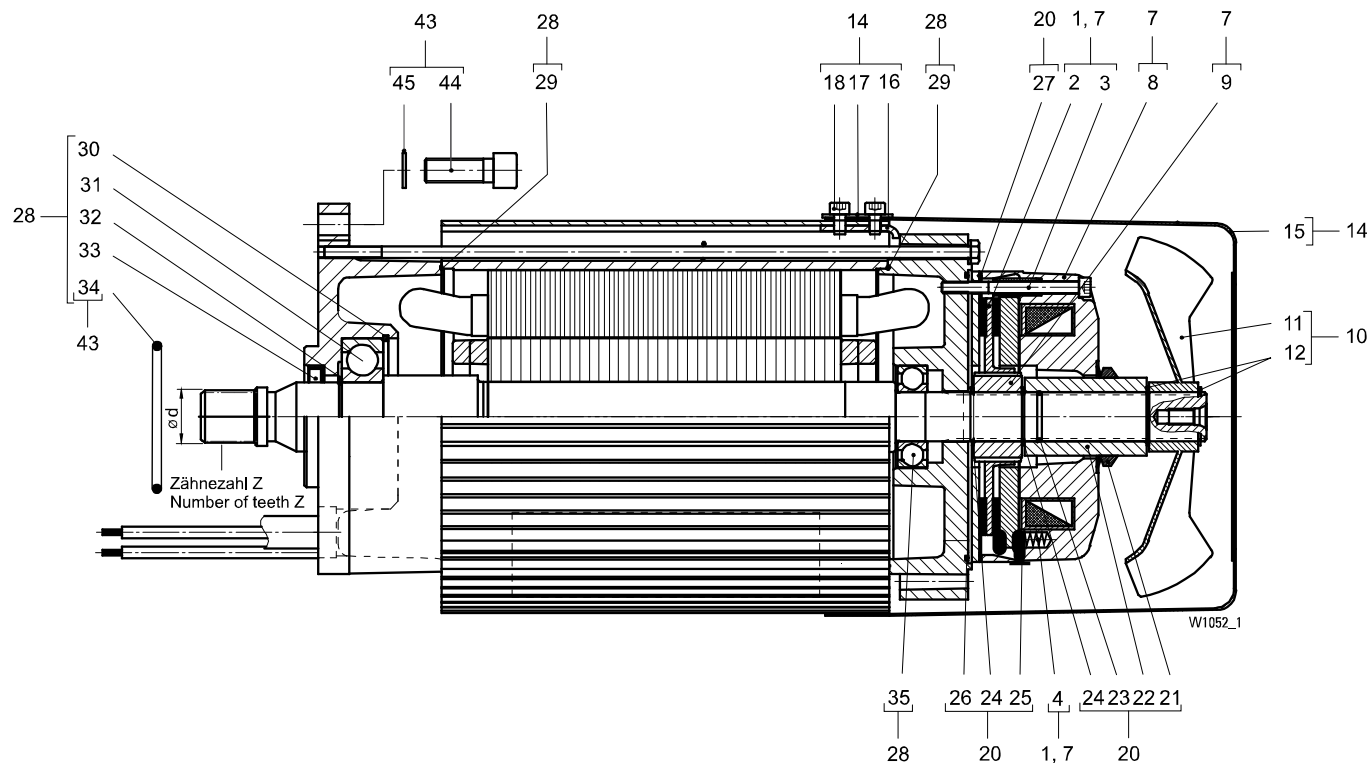
1) Please state operating voltage, frequency and wire rope hoist type

2) Coil voltage / operating voltage motor

3) Calculating of drum speed = reeving × hoist speed e.g. YKB-T05-020S 2 20 -2-54
reeving hoist speed

Spare parts list YKC/SKC

12/2H72-MF hoist motor



| Item | Part no. | Qty. | Description | Specification | Comment |
|------|-------------|------|----------------------------|------------------------------------|---------------------|
| | A70002260 | 1 | Motor | YKC/SKC w. drum speed 100, 128 fpm | Pos.43 1), 4) |
| | A70002261 | 1 | Motor | YKC/SKC w. drum speed 160, 200 fpm | Pos.43 1), 4) |
| 1 | A2727075650 | 1 | Brake rotor spare part set | | Pos.2 – 4, 20 |
| 7 | A2727035650 | 1 | Brake compl. | 100 V / 180 – 460 V, 50 Hz | Pos.1, 8 – 9, 20 2) |
| 7 | A2727036650 | 1 | Brake compl. | 130 V / 500 – 525 V, 50 Hz | Pos.1, 8 – 9, 20 2) |
| 7 | A2727037650 | 1 | Brake compl. | 150 V / 575 – 690 V, 50 Hz | Pos.1, 8 – 9, 20 2) |
| 9 | A5675510 | 1 | Hub | | |
| 10 | A2727009650 | 1 | Fan wheel set | | Pos.11 – 12 |
| 11 | | 1 | Fan wheel | | |
| 12 | | 2 | Retaining ring | 35×1.5 DIN 471 | |
| 14 | A2727010650 | 1 | Fan cover set | | Pos.15 – 18 |
| 15 | | 1 | Fan cover | | |
| 17 | | 4 | Safety washer | S8 | |
| 18 | | 4 | Screw | M8×12 DIN 7984-8.8 | |
| 20 | A2727015650 | 1 | Sealing set brake | | Pos.21 – 27 |
| 21 | | 1 | Sealing ring V-seal | | |
| 22 | | 1 | Bushing | | |
| 23 | | 1 | Round sealing ring | 31×3 | |
| 24 | | 2 | Retaining ring | 35×1.5 DIN 471 | |
| 25 | | 1 | Plug | | |
| 26 | | 1 | Round sealing ring | 185×2 NBR70 | |
| 27 | | 1 | Round sealing ring | 156×2 NBR70 | |
| 28 | A2727011650 | 1 | Bearings and sealings | | Pos.29 – 35 |
| 29 | | 2 | Round sealing ring | 216×2 NBR70 | |
| 30 | | 1 | Retaining ring | 110×4 DIN 472 | |
| 31 | | 1 | Bearing | 6310-2RS DIN 625 | 3) |
| 32 | | 1 | Retaining ring | 50×2 DIN 471 | |
| 33 | | 1 | Shaft seal | A48×72×8 DIN 3760 | 3) |
| 34 | | 1 | Round sealing ring | 95×2 NB70 | |
| 35 | | 1 | Bearing | 6208-2RS DIN 625 | |

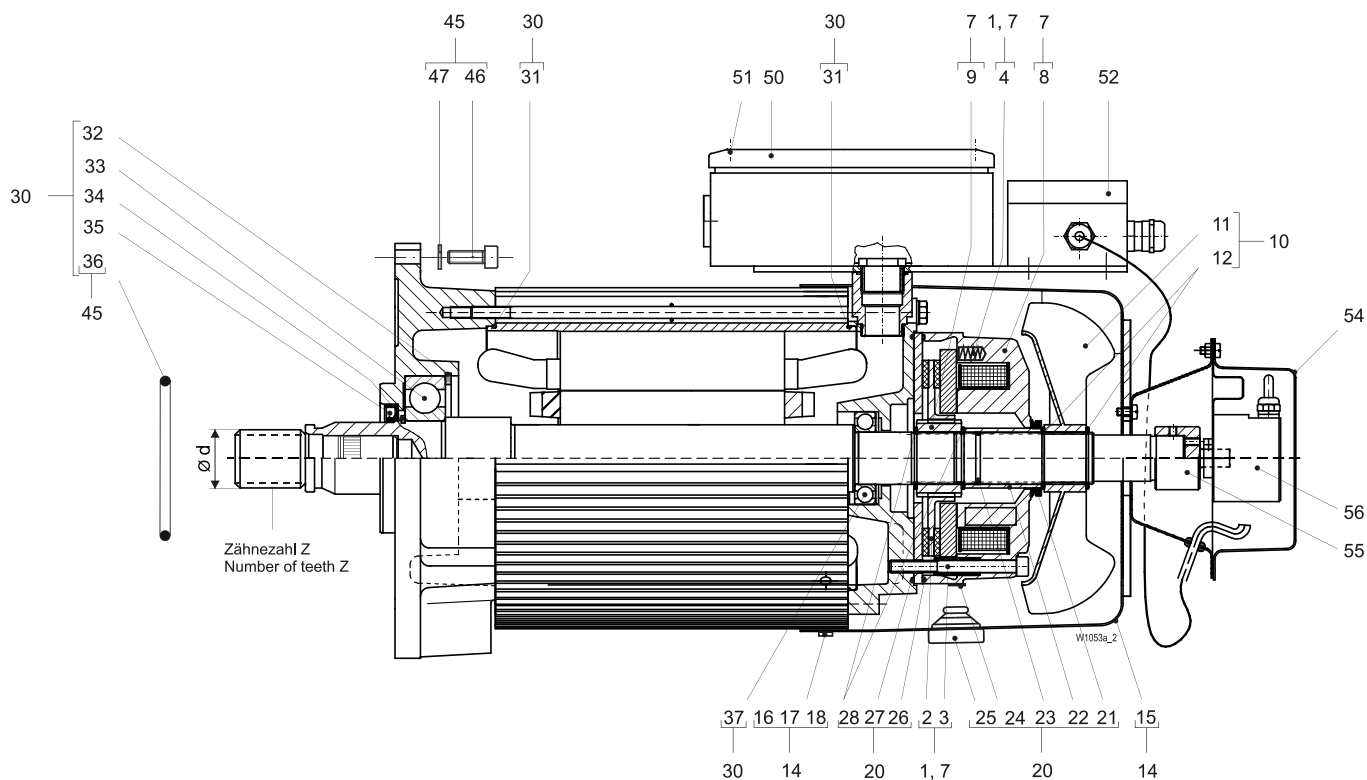
Spare parts list YKC/SKC

| Item | Part no. | Qty. | Description | Specification | Comment |
|------|-------------|------|-------------------|-----------------|-----------------|
| 43 | A2727003650 | 1 | Gear motor screws | | Pos.34, 44 – 45 |
| 44 | | 4 | Screw | M12×35 ISO 4762 | |
| 45 | | 4 | Safety washer | S12 | |

- 1) Please state operating voltage, frequency and wire rope hoist type
- 2) Coil voltage / operating voltage motor
- 3) Only replaceable at YKC/SKC w. drum speed 100 – 160 fpm, Z=13, d<1.97 in
- 4) Calculating of drum speed = reeving × hoist speed e.g. YKB-T05-020S **2** **20** -2-54
reeving hoist speed

Spare parts list YKC/SKC

4H72-MF hoist motor



| Item | Part no. | Qty. | Description | Specification | Comment |
|------|-------------|------|----------------------------|------------------------------------|---------------------|
| | A70002264 | 1 | Motor | YKC/SKC w. drum speed 100, 128 fpm | Pos.45 1), 4) |
| | A70002305 | 1 | Motor | YKC/SKC w. drum speed 160, 200 fpm | Pos.45 1), 4) |
| | A70002266 | 1 | Motor | YKC/SKC w. drum speed 248 fpm | Pos.45 1), 4) |
| 1 | A2727074650 | 1 | Brake rotor spare part set | | Pos.2 – 4, 20 |
| 7 | A2727033650 | 1 | Brake compl. | 180 V / 380 – 415 V, 100 Hz | Pos.1, 8 – 9, 20 2) |
| 7 | A2727034650 | 1 | Brake compl. | 240 V / 500 – 525 V, 100 Hz | Pos.1, 8 – 9, 20 2) |
| 9 | A5674850 | 1 | Hub | | |
| 10 | A2727009650 | 1 | Fan wheel set | | Pos.11 – 12 |
| 11 | | 1 | Fan wheel | | |
| 12 | | 2 | Retaining ring | 35×1.5 DIN 471 | |
| 14 | A2727016650 | 1 | Fan cover set | | Pos.15 – 18 |
| 15 | | 1 | Fan cover | | |
| 16 | | 4 | Screw | M8×12 DIN 7984 | |
| 17 | | 4 | Safety washer | S8 | |
| 18 | | 4 | Tread block | | |
| 20 | A2727015650 | 1 | Sealing set brake | | Pos.21 – 28 |
| 21 | | 1 | Sealing ring V-seal | | |
| 22 | | 1 | Bushing | | |
| 23 | | 1 | Round sealing ring | 31×3 NBR70 | |
| 24 | | 1 | Plug | | |
| 25 | | 1 | Plug | | |
| 26 | | 1 | Round sealing ring | 156×2 | |
| 27 | | 1 | Round sealing ring | 185×2 | |
| 28 | | 2 | Retaining ring | 35×1.5 DIN 471 | |
| 30 | A2727011650 | 1 | Bearings and sealings | | Pos.31 – 37 |
| 31 | | 2 | Round sealing ring | 216×2 NBR70 | |
| 32 | | 1 | Retaining ring | 110×4 DIN 472 | |
| 33 | | 1 | Bearing | 6310-2RS DIN 625 | 3) |
| 34 | | 1 | Retaining ring | 50×2 DIN 471 | |

Spare parts list YKC/SKC

| Item | Part no. | Qty. | Description | Specification | | Comment |
|------|-------------|------|------------------------|---------------|----------|-----------------|
| 35 | | 1 | Shaft seal | A48×72×8 | DIN 3760 | 3) |
| 36 | | 1 | Round sealing ring | 95×2 | NB70 | |
| 37 | | 1 | Bearing | 6208-2RS | DIN 625 | |
| 45 | A2727003650 | 1 | Gear motor screws | | | Pos.36, 46 – 47 |
| 46 | | 4 | Screw | M12×35 | ISO 4762 | |
| 47 | | 4 | Safety washer | S12 | | |
| 50 | A2727055650 | 1 | Terminal box cover | | | Pos.51 |
| 51 | | 4 | Screw | M8×25 | ISO 1207 | |
| 52 | A5675560 | 1 | Encoder connection set | | | |
| 54 | A5675550 | 1 | Cover encoder | | | |
| 55 | A2727087650 | 1 | Shaft extension set | MF13 | | |
| 56 | A2727083650 | 1 | Encoder set | 600 ppr HTL | | |
| 56 | A2727084650 | 1 | Encoder set | 1024 ppr HTL | | |

1) Please state operating voltage, frequency and wire rope hoist type

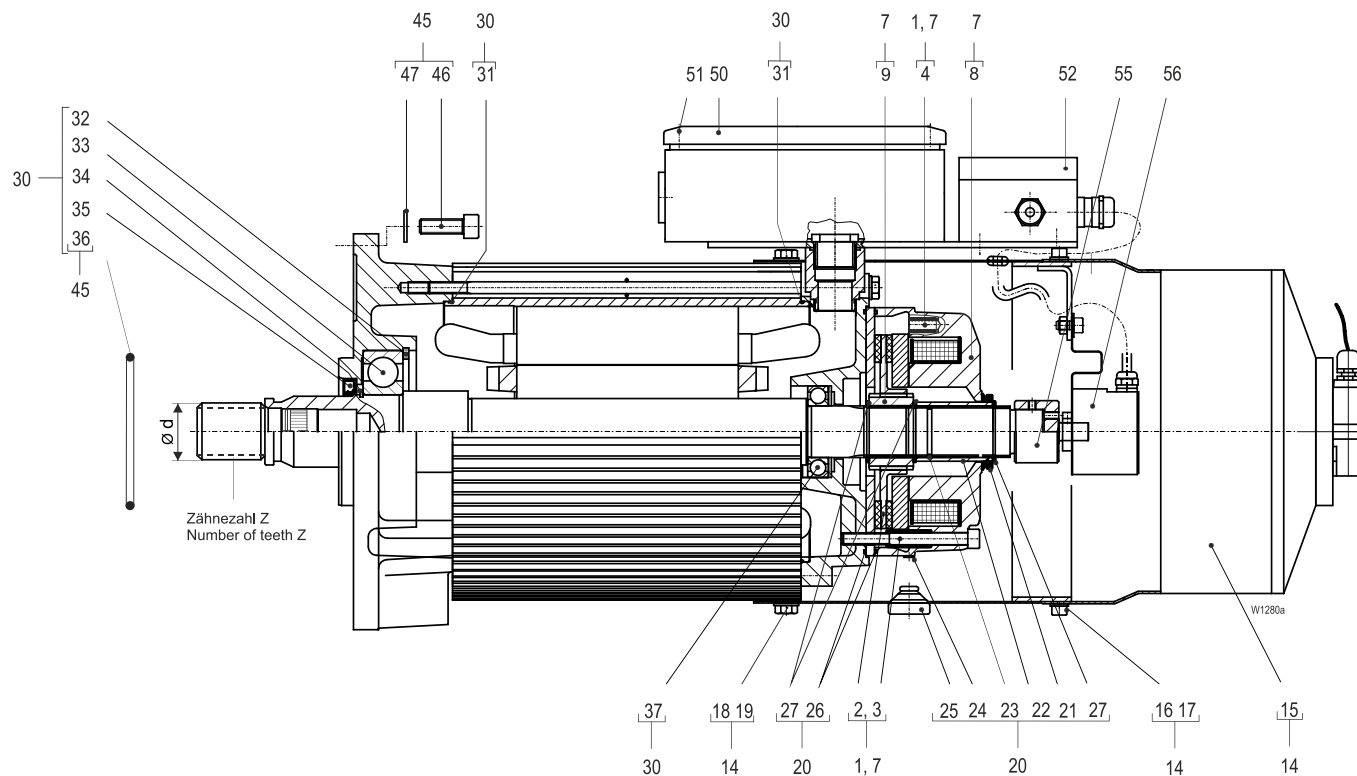
2) Coil voltage / operating voltage motor

3) Only replaceable at YKC/SKC w. drum speed 100 – 160 fpm, Z=13, d<1.97 in

4) Calculating of drum speed = reeving × hoist speed e.g. YKB-T05-020S 2 20 -2-54
reeving hoist speed

Spare parts list YKC/SKC

4HS7-MF hoist motor



| Item | Part no. | Qty. | Description | Specification | Comment |
|------|-------------|------|----------------------------|------------------------------------|------------------|
| | A70002278 | 1 | Motor | YKC/SKC w. drum speed 100, 128 fpm | Pos.45 1), 3) |
| | A70002282 | 1 | Motor | YKC/SKC w. drum speed 160 fpm | Pos.45 1), 3) |
| 1 | A2727090650 | 1 | Brake rotor spare part set | | Pos.2 – 4, 9, 20 |
| 7 | A2627004650 | 1 | Brake compl. | 170 – 216 V / 400 – 500 V, 50 Hz | Pos.1, 8 – 9, 20 |
| 9 | | 1 | Hub | | |
| 14 | A2627007650 | 1 | Forced ventilation | | Pos.15 – 19 |
| 15 | | 1 | Fan cover | | |
| 16 | | 4 | Screw | M6×10 ISO 4762 | |
| 17 | | 4 | Safety washer | A6.4 DIN 6797 | |
| 18 | | 4 | Screw | M8×12 EN 24017 | |
| 19 | | 4 | Safety washer | S8 | |
| 20 | A2627006650 | 1 | Sealing set brake | | Pos.21 – 27 |
| 21 | | 1 | Sealing ring V-seal | | |
| 22 | | 1 | Bushing | | |
| 23 | | 1 | Round sealing ring | 31×3 | |
| 24 | | 1 | Plug | | |
| 25 | | 1 | Plug | | |
| 26 | | 2 | Round sealing ring | 216×2 NBR70 | |
| 27 | | 3 | Retaining ring | 35×1.5 DIN 471 | |
| 30 | A2627009650 | 1 | Bearings and sealings | | Pos.31 – 37 |
| 31 | | 2 | Round sealing ring | 216×2 NB70 | |
| 32 | | 1 | Retaining ring | 110×4 DIN 472 | |
| 33 | | 1 | Bearing | 6310-2Z/C3/HT | |
| 34 | | 1 | Retaining ring | 50×2 DIN 471 | |
| 35 | | 1 | Shaft seal | AS48×72×8 Viton | |
| 36 | | 1 | Round sealing ring | 95×2 NB70 | |
| 37 | | 1 | Bearing | 6208-2Z/C3/HT | |
| 45 | A2527009650 | 1 | Gear motor screws | | Pos.36, 46 – 47 |
| 46 | | 4 | Screw | M12×35 ISO 4762 | |
| 47 | | 4 | Safety washer | S12 | |

ol-q.2.6;12-us;11;1-ys | A11868001 Rev AI

Spare parts list YKC/SKC

| Item | Part no. | Qty. | Description | Specification | Comment |
|------|-------------|------|------------------------|--------------------|---------|
| 50 | A2627011650 | 1 | Terminal box cover | | Pos.51 |
| 51 | | 4 | Screw | M6×20 ISO 1207-4.8 | |
| 52 | A5675560 | 1 | Encoder connection set | | |
| 55 | A2727087650 | 1 | Shaft extension set | MF13 | |
| 56 | A70006916 | 1 | Encoder set | 600 ppr HTL | |
| 56 | A70006925 | 1 | Encoder set | 1024 ppr HTL | |

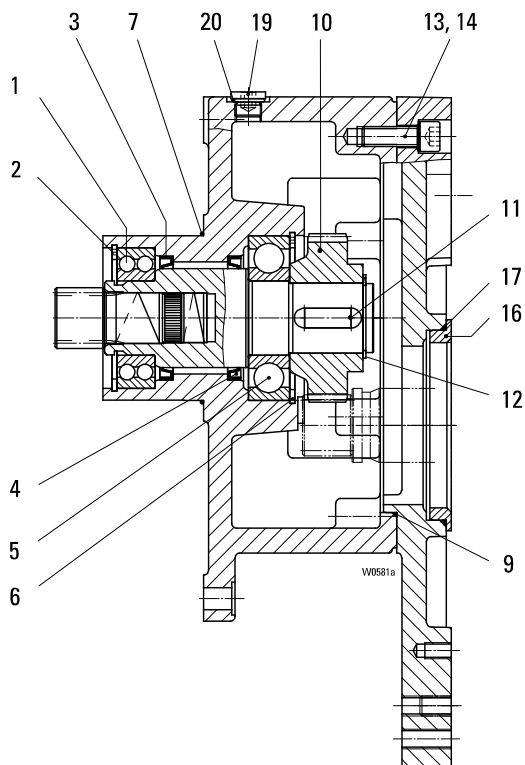
1) Please state operating voltage, frequency and wire rope hoist type

2) Coil voltage / operating voltage motor

3) Calculating of drum speed = reeving × hoist speed e.g. YKB-T05-020S 2 20 -2-54
reeving hoist speed

Spare parts list YKC/SKC

Intermediate gear



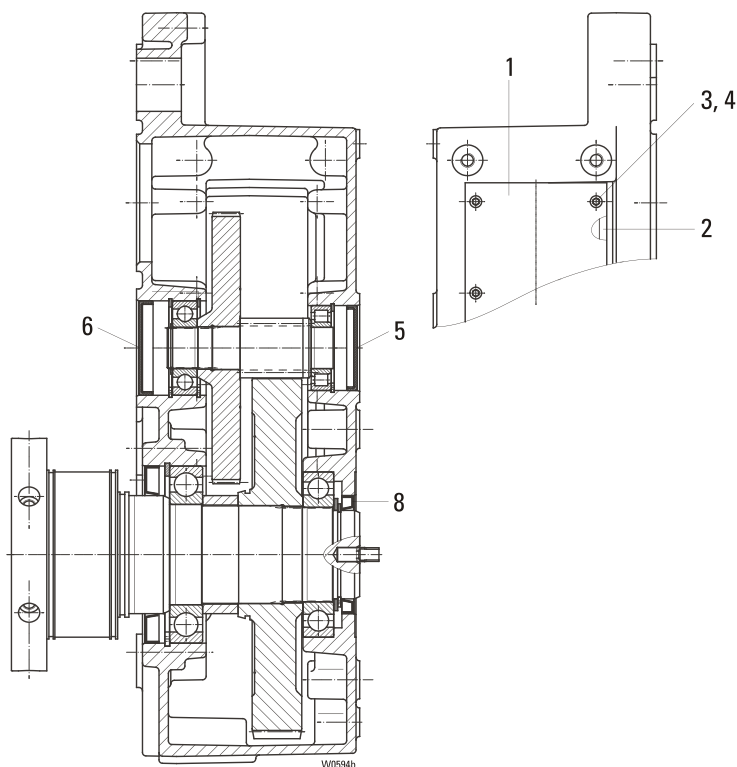
| Item | Part no. | Qty. | Description | Specification | Comment |
|------|-------------|------|--------------------|------------------------------|----------|
| | A2527010300 | 1 | Intermediate gear | YKC/SKC w. drum speed 48 fpm | 1) |
| | A2527010300 | 1 | Intermediate gear | YKC/SKC w. drum speed 64 fpm | 1) |
| | A2527011300 | 1 | Intermediate gear | YKC/SKC w. drum speed 40 fpm | 1) |
| 1 | A5601660 | 1 | Bearing | 4209A | DIN 625 |
| 2 | A5061090 | 1 | Retaining ring | 85×3 | DIN 471 |
| 3 | A5611090 | 1 | Shaft seal | 60×75×8 NB | DIN 3760 |
| 4 | A5611090 | 1 | Shaft seal | 60×75×8 NB | DIN 3760 |
| 5 | A5600370 | 1 | Bearing | 6309 | DIN 625 |
| 6 | A5062640 | 1 | Retaining ring | 100×3 | DIN 472 |
| 7 | A5150280 | 1 | Round sealing ring | 95×2 | NB70 |
| 9 | A5159570 | 1 | Round sealing ring | 230×2 | NB70 |
| 10 | A2527326110 | 1 | Gear wheel | | |
| 11 | A5370260 | 1 | Feather key | A12×8×40 | DIN 6885 |
| 12 | A5062480 | 1 | Retaining ring | 42×1.75 | DIN 471 |
| 13 | A5001830 | 8 | Screw | M12×35 | ISO 4762 |
| 14 | A5068410 | 8 | Safety washer | S12 vz | |
| 16 | A2527301490 | 1 | Eccentric ring | | |
| 17 | A5159740 | 1 | Round sealing ring | 115×3 | NB70 |
| 19 | A5030110 | 4 | Locking bolt | AM16×1.5 | |
| 20 | A5150040 | 4 | Sealing ring | C16×20 | |

1) Calculating of drum speed = reeving × hoist speed

e.g. YKB-T05-020S 2 20 -2-54
reeving hoist speed

Spare parts list YKC/SKC

Gear, standard



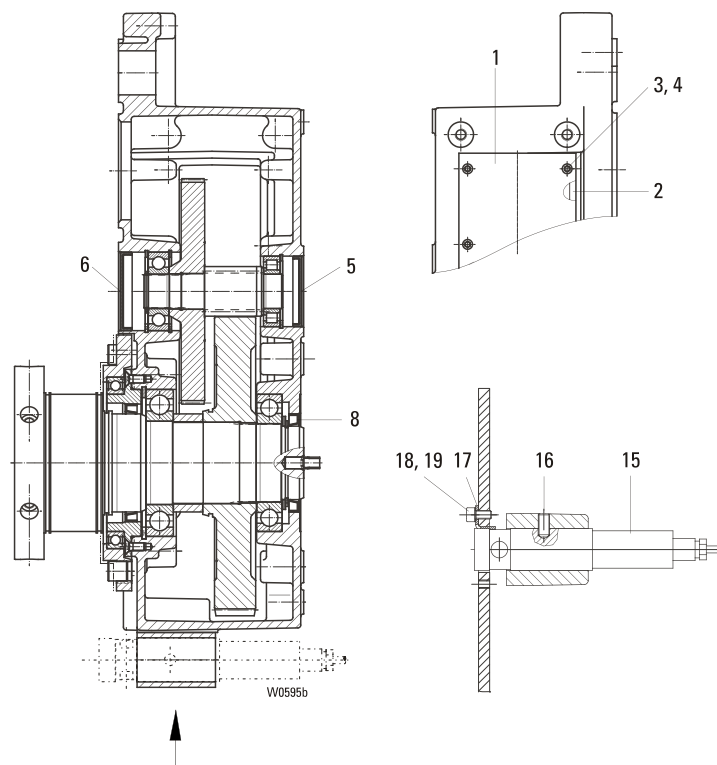
| Item | Part no. | Qty. | Description | Specification | Comment |
|------|-------------|------|---------------|-------------------------------|--------------|
| | A2527023300 | 1 | Gear | YKC/SKC w. drum speed 80 fpm | 1), 2) |
| | A2527024300 | 1 | Gear | YKC/SKC w. drum speed 100 fpm | 1), 2) |
| | A2527025300 | 1 | Gear | YKC/SKC w. drum speed 128 fpm | 1), 2) |
| | A2527025300 | 1 | Gear | YKC/SKC w. drum speed 40 fpm | 1), 2) |
| | A2527026300 | 1 | Gear | YKC/SKC w. drum speed 160 fpm | 1), 2) |
| | A2527026300 | 1 | Gear | YKC/SKC w. drum speed 48 fpm | 1), 2) |
| | A2527027300 | 1 | Gear | YKC/SKC w. drum speed 200 fpm | 1), 2) |
| | A2527027300 | 1 | Gear | YKC/SKC w. drum speed 64 fpm | 1), 2) |
| | A2527028300 | 1 | Gear | YKC/SKC w. drum speed 248 fpm | 1), 2) |
| 1 | A2527300960 | 1 | Cover | | |
| 2 | A2527300950 | 1 | Seal | | |
| 3 | A5008100 | 10 | Screw | M6×16 | DIN 6912-8.8 |
| 4 | A5068380 | 10 | Safety washer | S6 vz | |
| 5 | A5180350 | 1 | End cap | 72×9 | |
| 6 | A5180490 | 1 | End cap | 80×10 | |
| 8 | A5610300 | 1 | Shaft seal | 75×100×10 | |

1) Gear only available as complete unit except the signed parts. Without gear oil: amount required see operating instruction

2) Calculating of drum speed = reeving × hoist speed e.g. YKB-T05-020S 2 20 -2-54
reeving hoist speed

Spare parts list YKC/SKC

Gear 1PS, 1PD with overload cut-off device



| Item | Part no. | Qty. | Description | Specification | Comment |
|------|-------------|------|-----------------|-------------------------------|--------------|
| | A2527033300 | 1 | Gear | YKC/SKC w. drum speed 80 fpm | 1), 3) |
| | A2527034300 | 1 | Gear | YKC/SKC w. drum speed 100 fpm | 1), 3) |
| | A2527035300 | 1 | Gear | YKC/SKC w. drum speed 128 fpm | 1), 3) |
| | A2527035300 | 1 | Gear | YKC/SKC w. drum speed 40 fpm | 1), 3) |
| | A2527036300 | 1 | Gear | YKC/SKC w. drum speed 160 fpm | 1), 3) |
| | A2527036300 | 1 | Gear | YKC/SKC w. drum speed 48 fpm | 1), 3) |
| | A2527037300 | 1 | Gear | YKC/SKC w. drum speed 200 fpm | 1), 3) |
| | A2527037300 | 1 | Gear | YKC/SKC w. drum speed 64 fpm | 1), 3) |
| | A2527038300 | 1 | Gear | YKC/SKC w. drum speed 248 fpm | 1), 3) |
| 1 | A2527300960 | 1 | Cover | | |
| 2 | A2527300950 | 1 | Seal | | |
| 3 | A5008100 | 10 | Screw | M6×16 | DIN 6912-8.8 |
| 4 | A5068380 | 10 | Safety washer | S6 vz | |
| 5 | A5180350 | 1 | End cap | 72×9 | |
| 6 | A5180490 | 1 | End cap | 80×10 | |
| 8 | A5610300 | 1 | Shaft seal | 75×100×10 | |
| 10 | A5061520 | 1 | Retaining ring | 75×2.5 | DIN 471 |
| 11 | A5068300 | 1 | Supporting ring | 75×95×3.5 | DIN 988 |
| 15 | A5710640 | 1 | Load sensor | LSD2-1240 | 2) |
| 15 | A5710630 | 1 | Load sensor | LSD2-2090 | 2) |
| 15 | A5710620 | 1 | Load sensor | LSD2-3400 | 2) |
| 15 | A5710610 | 1 | Load sensor | LSD2-5600 | 2) |
| 16 | A5030220 | 1 | Dowel pin | M8×25 45H | DIN 916 |
| 17 | A0443217830 | 1 | Fastening bow | | |
| 18 | A5002300 | 1 | Screw | 6×12 | ISO 4762 8.8 |
| 19 | A5068380 | 1 | Safety washer | S6 | |

1) Gear only available as complete unit except the signed parts. Without gear oil: amount required see operating instruction

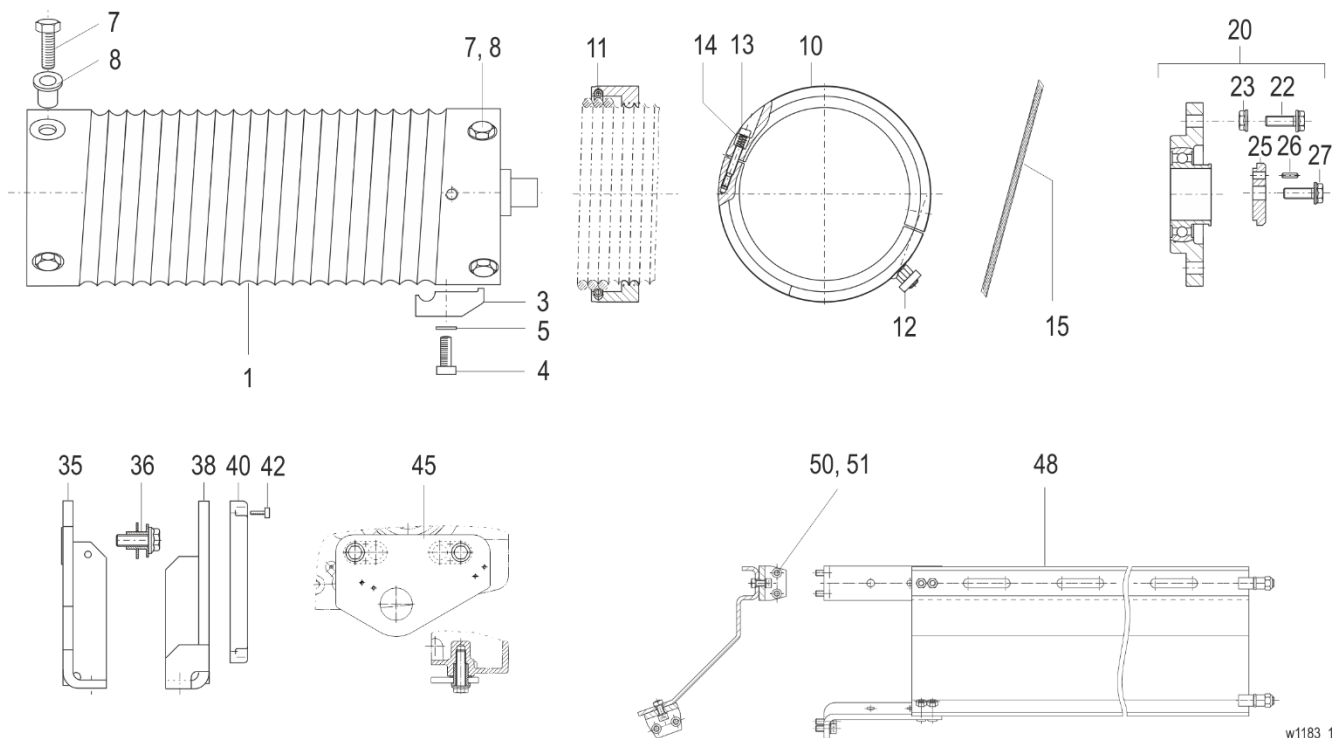
2) Not included in gear

3) Calculating of drum speed = reeving × hoist speed

e.g. YKB-T05-020S 2 20 -2-54
reeving hoist speed

Spare parts list YKC/SKC

Rope drum



w1183_1

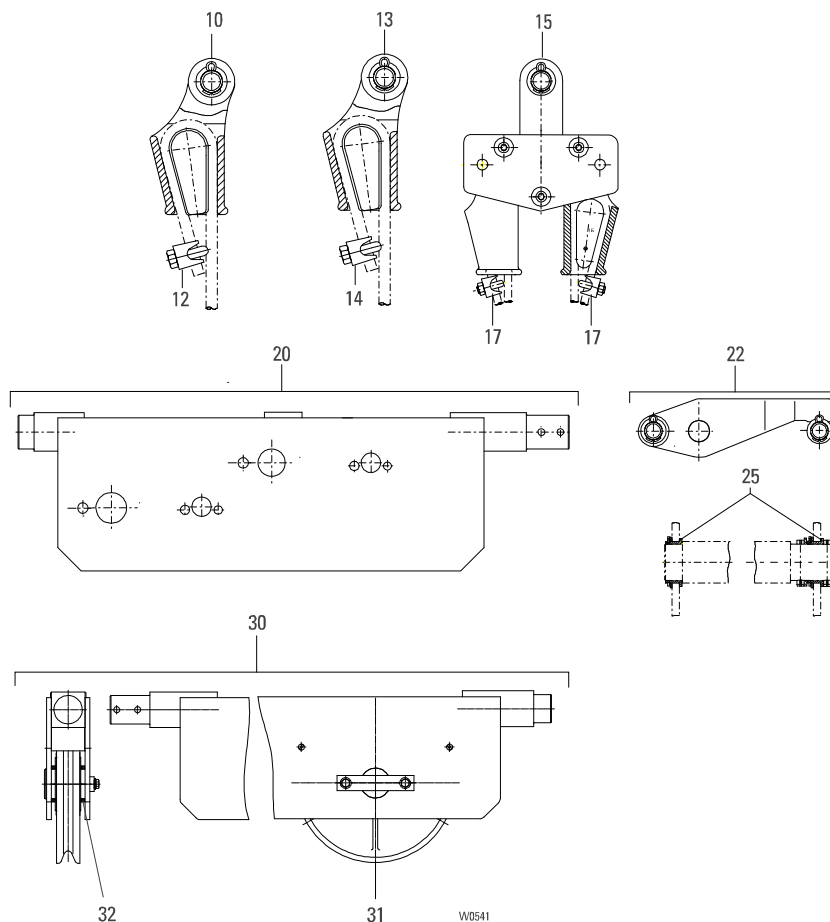
| Item | Part no. | Qty. | Description | Specification | Comment | |
|------|-------------|------|---------------------------------|---------------|-----------------------|---------------|
| 1 | A70032695 | 1 | Rope drum - left version | .PS, L2 | Rope D 0.47 – 0.49 in | Pos.7 – 8, 20 |
| 1 | A70032705 | 1 | Rope drum - left version | .PS, L3 | Rope D 0.47 – 0.49 in | Pos.7 – 8, 20 |
| 1 | A70032709 | 1 | Rope drum - left version | .PS, L4 | Rope D 0.47 – 0.49 in | Pos.7 – 8, 20 |
| 1 | A70032711 | 1 | Rope drum - left version | .PS, L2 | Rope D 0.39 in | Pos.7 – 8, 20 |
| 1 | A70032713 | 1 | Rope drum - left version | .PS, L3 | Rope D 0.39 in | Pos.7 – 8, 20 |
| 1 | A70032715 | 1 | Rope drum - left version | .PS, L4 | Rope D 0.39 in | Pos.7 – 8, 20 |
| 1 | A70032717 | 1 | Rope drum - left version | .PS, L2 | Rope D 0.35 in | Pos.7 – 8, 20 |
| 1 | A70032719 | 1 | Rope drum - left version | .PS, L3 | Rope D 0.35 in | Pos.7 – 8, 20 |
| 1 | A70032720 | 1 | Rope drum - left version | .PS, L4 | Rope D 0.35 in | Pos.7 – 8, 20 |
| 1 | A70032723 | 1 | Rope drum - right/left version | .PD, L2 | Rope D 0.33 – 0.35 in | Pos.7 – 8, 20 |
| 1 | A70032725 | 1 | Rope drum - right/left version | .PD, L3 | Rope D 0.33 – 0.35 in | Pos.7 – 8, 20 |
| 1 | A70032726 | 1 | Rope drum - right/left version | .PD, L4 | Rope D 0.33 – 0.35 in | Pos.7 – 8, 20 |
| 3 | A0543000460 | 3 | Clamping plate | .PS | Rope D 0.47 – 0.49 in | Pos.4 – 5 |
| 4 | A5008500 | 3 | Screw | M12×25 | DIN 6912-8.8 | |
| 5 | A5068410 | 3 | Safety washer | S12 | | |
| 3 | A4333001460 | 3 | Clamping plate | .PS | Rope D 0.35 – 0.39 in | Pos.4 – 5 |
| 4 | A5008500 | 3 | Screw | M12×25 | DIN 6912-8.8 | |
| 5 | A5068410 | 3 | Safety washer | S12 | | |
| 3 | A0443000460 | 6 | Clamping plate | .PD | Rope D 0.33 – 0.35 in | Pos.4 – 5 |
| 4 | A5002900 | 6 | Screw | M10×20 | DIN 6912-8.8 | |
| 5 | A5068400 | 6 | Safety washer | S10 | | |
| 7 | A70037028 | 2 | Screw set | M12×50 | | |
| 8 | A70037042 | 2 | Sleeve set | | | |
| 10 | A0543001430 | 1 | Rope guide ring - left version | .PS | Rope D 0.47 – 0.49 in | Pos.11 – 14 |
| 10 | A0543004430 | 1 | Rope guide ring - left version | .PS | Rope D 0.39 in | Pos.11 – 14 |
| 10 | A0543000430 | 1 | Rope guide ring - left version | .PD | Rope D 0.33 – 0.35 in | Pos.11 – 14 |
| 10 | A0543002430 | 1 | Rope guide ring - right version | .PD | Rope D 0.33 – 0.35 in | Pos.11 – 14 |
| 11 | A4333400940 | 1 | Tension spring | | | |

01-c.2.6.12-us-11.1-ys | A11868001 Rev AI

Spare parts list YKC/SKC

| Item | Part no. | Qty. | Description | Specification | Comment |
|------|-------------|------|----------------------------|----------------------------------|-------------|
| 12 | A0543001470 | 1 | Guide part | | |
| 13 | A2133400900 | 2 | Screw | | |
| 14 | A2233401940 | 2 | Pressure spring | | |
| 15 | | | Wire rope | See data sheet | |
| 20 | A0543027650 | 1 | Flange bearing | INA PME 40 | Pos.22 – 27 |
| 22 | | 4 | Locking screw | M10×35 | |
| 23 | | 4 | Locking nut | M10 | |
| 25 | | 1 | Holding disc | | |
| 26 | | 1 | Spring-type straight pin | 5×10 ISO 8752 | |
| 27 | | 1 | Locking screw | M10×20-10 | |
| 35 | A0543200010 | 1 | Support plate gear side | Stationary, upright | |
| 35 | A0543202010 | 1 | Support plate gear side | Stationary, suspended | |
| 35 | A0543209010 | 1 | Support plate gear side | 1PS with overload cut-off device | |
| 36 | A0543001260 | 2 | Bushing | | |
| 38 | A0543201010 | 1 | Support plate bearing side | Stationary, upright | |
| 38 | A0543203010 | 1 | Support plate bearing side | Stationary, suspended | |
| 40 | A70021654 | 1 | End cover | YK | Pos. 42 |
| 40 | A70021656 | 1 | End cover | SK | |
| 42 | A5050340 | 4 | Screw | 6×20 DIN 7516 | |
| 45 | A0543014280 | 1 | Bearing plate | Stationary, suspended | |
| 48 | A0543000220 | 1 | Grease box | L2 | Pos.50 – 51 |
| 48 | A0543001220 | 1 | Grease box | L3 | Pos.50 – 51 |
| 48 | A0543002220 | 1 | Grease box | L4 | Pos.50 – 51 |
| 50 | A5002330 | 8 | Screw | M6×16 ISO 4762 | |
| 51 | A5068380 | 8 | Safety washer | S6 | |

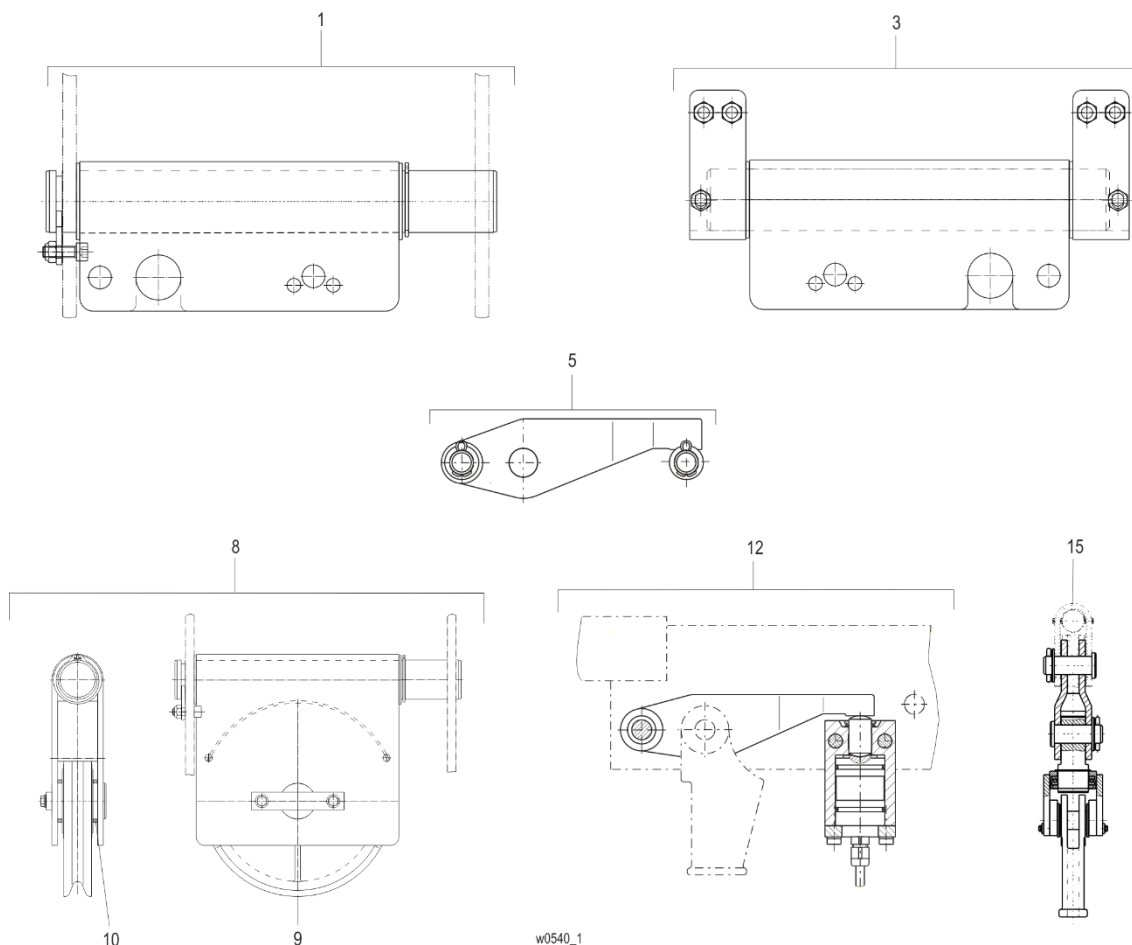
Stationary rope suspension



| Item | Part no. | Qty. | Description | Specification | Comment | |
|------|-------------|------|--------------------------|---------------|-----------------------|-------------|
| 10 | A0543000480 | 1 | Clamp | YKC/SKC | Rope D 0.47 – 0.49 in | Pos.12 1) |
| 12 | A5170070 | 1 | Wire rope clamp | Size 13 | | |
| 10 | A70016515 | 1 | Clamp | YKC/SKC | Rope D 0.47 – 0.49 in | Pos.12 2) |
| 12 | A5170070 | 1 | Wire rope clamp | Size 13 | | |
| 13 | A0543001480 | 1 | Clamp | | Rope D 0.35 – 0.39 in | Pos.14 |
| 14 | A5170060 | 1 | Wire rope clamp | Size 10 | | |
| 15 | A0543000230 | 1 | Rocking bar | | | Pos.17 |
| 17 | A5170060 | 2 | Wire rope clamp | Size 10 | | |
| 20 | A0543008280 | 1 | Suspension traverse | L2 | | |
| 20 | A0543009280 | 1 | Suspension traverse | L3 | | |
| 20 | A70020678 | 1 | Suspension traverse | L4 | | |
| 22 | A70018590 | 1 | Suspension | | | |
| 25 | A0543000260 | 1 | Bushing | | | |
| 30 | A70020428 | 1 | Deflection cross bar | L2 | Rope D 0.47 – 0.49 in | Pos.31 – 32 |
| 30 | A70020439 | 1 | Deflection cross bar | L2 | Rope D 0.35 – 0.39 in | Pos.31 – 32 |
| 30 | A70020729 | 1 | Deflection cross bar | L3 | Rope D 0.47 – 0.49 in | Pos.31 – 32 |
| 30 | A70020440 | 1 | Deflection cross bar | L3 | Rope D 0.35 – 0.39 in | Pos.31 – 32 |
| 30 | A70020430 | 1 | Deflection cross bar | L4 | Rope D 0.47 – 0.49 in | Pos.31 – 32 |
| 30 | A70020441 | 1 | Deflection cross bar | L4 | Rope D 0.35 – 0.39 in | Pos.31 – 32 |
| 31 | A0143003530 | 1 | Rope pulley | D 8.9 in | Rope D 0.47 – 0.49 in | |
| 31 | A0143017530 | 1 | Rope pulley, intensified | D 8.9 in | Rope D 0.47 – 0.49 in | |
| 31 | A0143005530 | 1 | Rope pulley | D 8.9 in | Rope D 0.35 – 0.39 in | |
| 31 | A0143016530 | 1 | Rope pulley, intensified | D 8.9 in | Rope D 0.35 – 0.39 in | |
| 32 | A0543203510 | 2 | Bushing | 60/50.1/6 | | |

1) Drum pull force ≤ 2500 daN
2) Drum pull force > 2500 daN

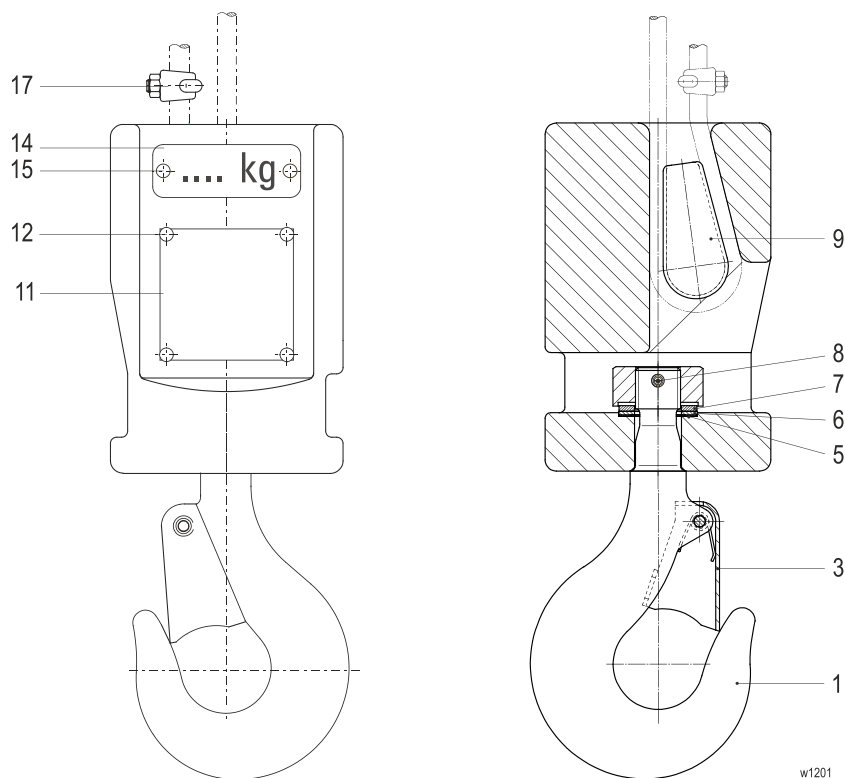
Rope suspension



| Item | Part no. | Qty. | Description | Specification | Comment |
|------|-------------|------|--------------------------|--|------------|
| 1 | A0543007280 | 1 | Suspension | KE-S65, OE-S05, OE-S06 2PS | |
| 3 | A0543006280 | 1 | Suspension | KE-S65, OE-S05, OE-S06 4PS | |
| 5 | A70018590 | 1 | Suspension | | |
| 8 | A0543005270 | 1 | Deflection cross bar | KE-S65, OE-S05, OE-S06 Rope D 0.43 – 0.49 in | Pos.9 – 10 |
| 8 | A0543010270 | 1 | Deflection cross bar | KE-S65, OE-S05, OE-S06 Rope D 0.35 – 0.39 in | Pos.9 – 10 |
| 9 | A0143003530 | 1 | Rope pulley | D 8.9 in Rope D 0.43 – 0.49 in | |
| 9 | A0143017530 | 1 | Rope pulley, intensified | D 8.9 in Rope D 0.43 – 0.49 in | |
| 9 | A0143005530 | 1 | Rope pulley | D 8.9 in Rope D 0.35 – 0.39 in | |
| 9 | A0143016530 | 1 | Rope pulley, intensified | D 8.9 in Rope D 0.35 – 0.39 in | |
| 10 | A0543203510 | 2 | Bushing | 60/50.1/6 | |
| 12 | A0543031830 | 1 | Load sensor | 630 – 1040 daN LCD1-270 | |
| 12 | A0543032830 | 1 | Load sensor | 1041 – 1675 daN LCD1-440 | |
| 12 | A0543033830 | 1 | Load sensor | 1676 – 2765 daN LCD1-700 | |
| 12 | A0543034830 | 1 | Load sensor | 2766 – 3400 daN LCD1-1200 | |
| 12 | A0543032650 | 1 | Load sensor | 630 – 1299 daN LCP1-350, SLE3 | |
| 12 | A0543033650 | 1 | Load sensor | 1300 – 2299 daN LCP1-700, SLE3 | |
| 12 | A0543034650 | 1 | Load sensor | 2300 – 3400 daN LCP1-1250, SLE3 | |
| 15 | A0543013280 | 1 | Anti-twist device | ≤ 3402 daN Rope D 0.43 – 0.49 in | |

el-o.2.6;12.us;11;1-ys | A11868001 Rev AI

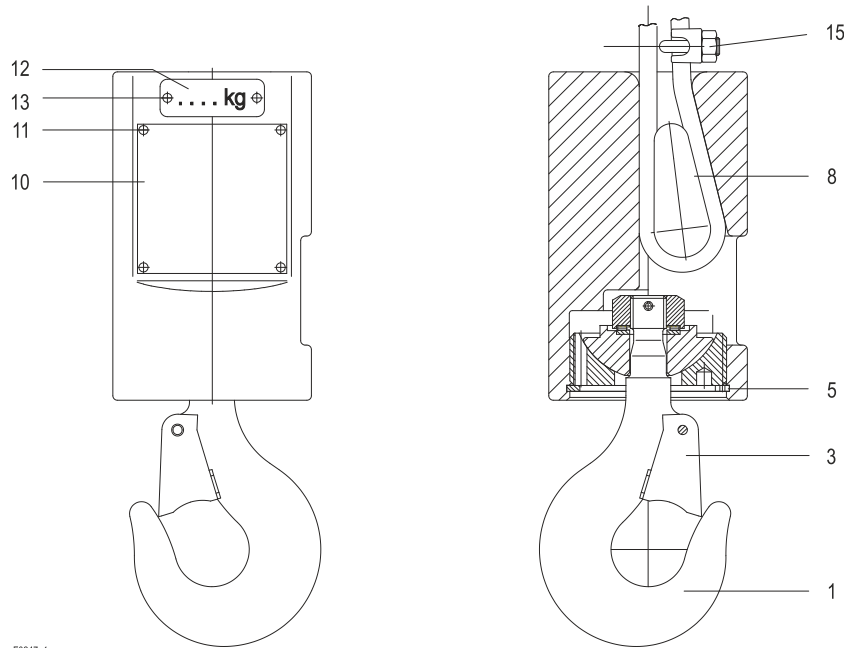
H122-1 bottom hook block



| Item | Part no. | Qty. | Description | Specification | Comment |
|------|-------------|------|--------------------------|---------------------|-----------|
| | A70006719 | 1 | Bottom hook block | H122-1 E-Ha 500 kg | |
| | A0143018590 | 1 | Bottom hook block | H122-1 E-Ha 630 kg | |
| | A70006723 | 1 | Bottom hook block | H122-1 E-Ha 750 kg | |
| | A0143019590 | 1 | Bottom hook block | H122-1 E-Ha 1000 kg | |
| | A70006731 | 1 | Bottom hook block | H122-1 E-Ha 1250 kg | |
| | A70006748 | 1 | Bottom hook block | H122-1 E-Ha 1600 kg | |
| 1 | A70001746 | 1 | Load hook set | RSN 0.8 E-Ha | Pos.2 – 8 |
| 3 | A5210080 | 1 | Safety catch | RSN 08 | |
| 5 | | 1 | Disc | CP 2542 | |
| 6 | A70046202 | 1 | Bearing set | AXK2542 | Pos.8 |
| 7 | | 1 | Disc | CP 3×25×42 | |
| 8 | A5041090 | 1 | Spring-type straight pin | 6×40 ISO 8752 | |
| 9 | A0143500660 | 1 | Rope wedge | | |
| 11 | A70001728 | 2 | Name plate set | | Pos.12 |
| 12 | A5078310 | 4 | Blind rivet | 3×5 | |
| 14 | A70001731 | 2 | S.W.L.-sign set | 500 kg | Pos.15 |
| 14 | A70001732 | 2 | S.W.L.-sign set | 630 kg | Pos.15 |
| 14 | A70001738 | 2 | S.W.L.-sign set | 750 kg | Pos.15 |
| 14 | A70001739 | 2 | S.W.L.-sign set | 1000 kg | Pos.15 |
| 14 | A70001742 | 2 | S.W.L.-sign set | 1250 kg | Pos.15 |
| 14 | A70001744 | 2 | S.W.L.-sign set | 1600 kg | Pos.15 |
| 15 | A5078310 | 2 | Blind rivet | 3×5 | |
| 17 | A5170050 | 1 | Wire rope clamp | Size 8 | |

Spare parts list
YKC/SKC

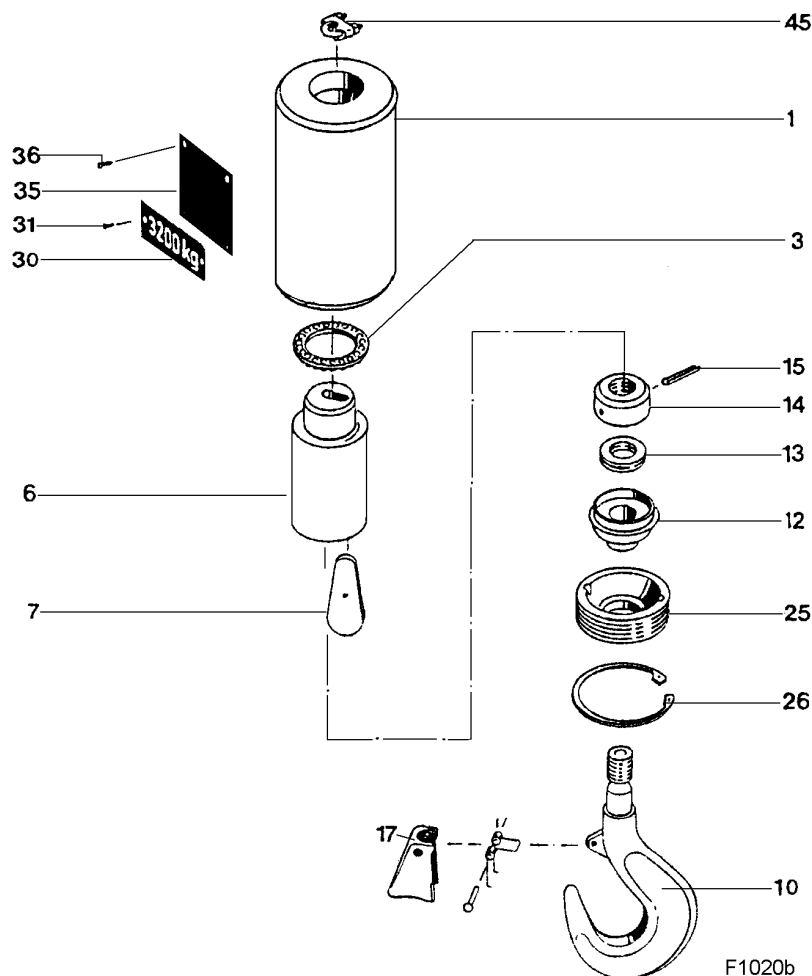
H130-1 bottom hook block



F0247 1

| Item | Part no. | Qty. | Description | Specification | Comment |
|------|-------------|------|-------------------|---------------------|---------|
| | A0143020590 | 1 | Bottom hook block | H130-1 E-Ha 500 kg | |
| | A70006906 | 1 | Bottom hook block | H130-1 E-Ha 1600 kg | |
| | A70006908 | 1 | Bottom hook block | H130-1 E-Ha 2000 kg | |
| | A70006910 | 1 | Bottom hook block | H130-1 E-Ha 2500 kg | |
| 1 | A2433004520 | 1 | Load hook set | RSN 1 E-Ha | Pos.3 |
| 3 | A1532053560 | 5 | Safety catch | RSN 1 | |
| 3 | A5210090 | 1 | Safety catch | RSN 1 | |
| 5 | A5062660 | 1 | Retaining ring | 105×4 DIN 472 | |
| 8 | A2433503660 | 1 | Rope wedge | K3 | |
| 10 | A70001728 | 2 | Name plate set | | Pos. 11 |
| 11 | A5078310 | 4 | Blind rivet | 3×5 | |
| 12 | A70001731 | 2 | S.W.L.-sign set | 500 kg | Pos. 13 |
| 12 | A70001744 | 2 | S.W.L.-sign set | 1600 kg | Pos. 13 |
| 12 | A70001956 | 2 | S.W.L.-sign set | 2000 kg | Pos. 13 |
| 12 | A70001971 | 2 | S.W.L.-sign set | 2500 kg | Pos. 13 |
| 13 | A5078310 | 2 | Blind rivet | 3×5 | |
| 15 | A5170070 | 1 | Wire rope clamp | Size 13 | |

H190-1 bottom hook block

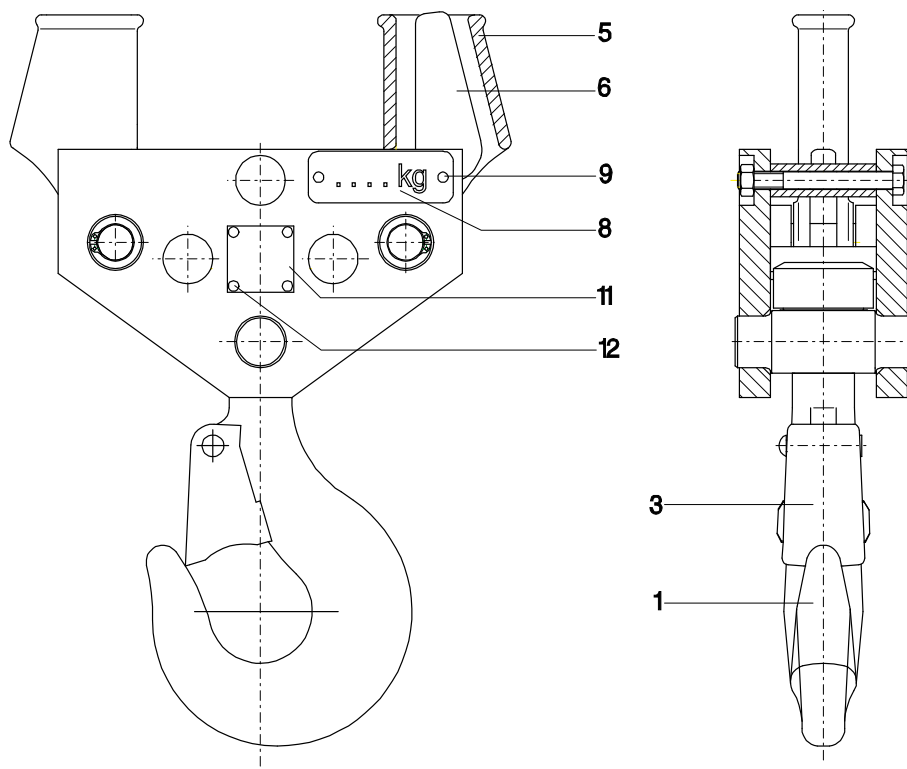


| Item | Part no. | Qty. | Description | Specification | Comment |
|------|-------------|------|--------------------------|---------------------|-------------|
| | A70007028 | 1 | Bottom hook block | H190-1 E-Ha 1600 kg | |
| | A0333032590 | 1 | Bottom hook block | H190-1 E-Ha 2000 kg | |
| | A70007036 | 1 | Bottom hook block | H190-1 E-Ha 2500 kg | |
| | A0333033590 | 1 | Bottom hook block | H190-1 E-Ha 3200 kg | |
| | A70007037 | 1 | Bottom hook block | H190-1 E-Ha 4000 kg | |
| 1 | A0333030560 | 1 | Casing | | |
| 3 | A5608670 | 1 | Bearing | 51120 DIN 711 | |
| 6 | A3033521210 | 1 | Rope socket | | |
| 7 | A5033500660 | 1 | Rope wedge | K7 | |
| 10 | A2533022520 | 1 | Load hook | RSN 1.6 E-Ha | Pos.11 – 17 |
| 12 | | 1 | Carrying disc | | |
| 13 | A70045752 | 1 | Bearing set | 51107 DIN 711 | Pos.15 |
| 14 | | 1 | Nut | | |
| 15 | A5042460 | 1 | Spring-type straight pin | 6×60 ISO 8752 | |
| 17 | A1532053560 | 5 | Safety catch | | |
| 17 | A5210090 | 1 | Safety catch | | |
| 25 | A3033521900 | 1 | Carrier screw | | |
| 26 | A5062660 | 1 | Retaining ring | 145×4 DIN 472 | |
| 30 | A70003756 | 2 | S.W.L.-sign set | 1600 kg | Pos.31 |
| 30 | A70003757 | 2 | S.W.L.-sign set | 2000 kg | Pos.31 |
| 30 | A70003758 | 2 | S.W.L.-sign set | 2500 kg | Pos.31 |
| 30 | A70003759 | 2 | S.W.L.-sign set | 3200 kg | Pos.31 |

Spare parts list YKC/SKC

| Item | Part no. | Qty. | Description | Specification | Comment |
|------|-----------|------|-----------------|---------------|---------|
| 30 | A70003786 | 2 | S.W.L.-sign set | 4000 kg | Pos.31 |
| 31 | A5078310 | 2 | Blind rivet | 3×5 | |
| 35 | A70004833 | 2 | Name plate set | | Pos.36 |
| 36 | A5078310 | 4 | Blind rivet | 3×5 | |
| 45 | A5170080 | 1 | Wire rope clamp | Size 10 | |

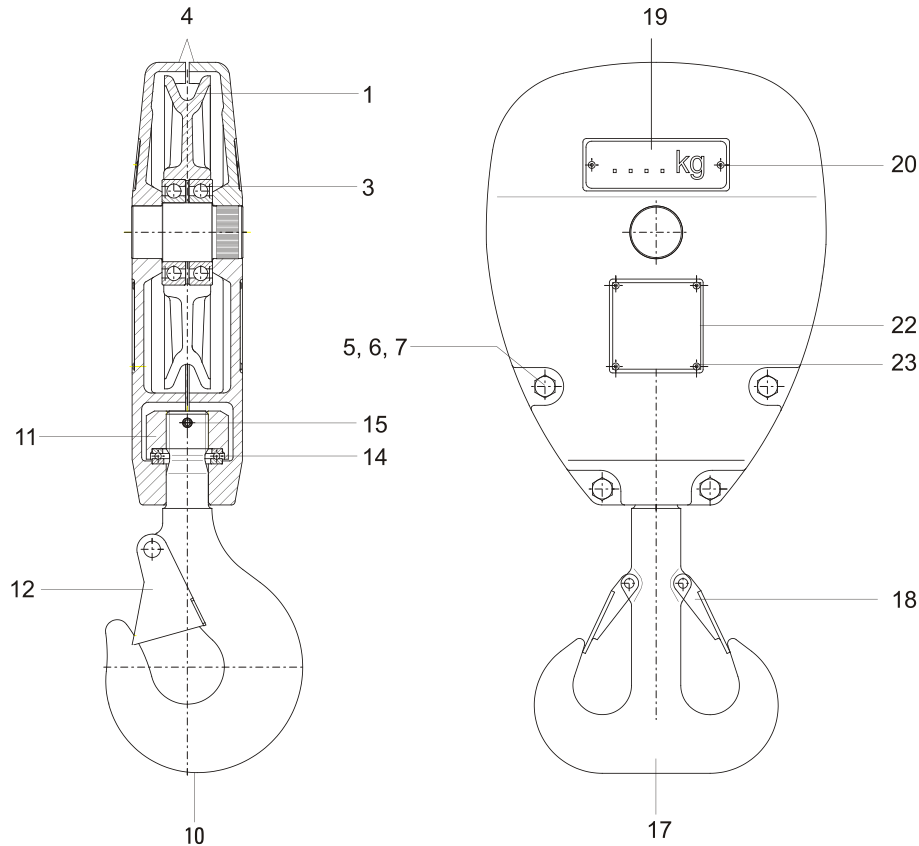
T141-2 hook traverse



F0248

| Item | Part no. | Qty. | Description | Specification | Comment |
|------|-------------|------|--------------------|---------------------|---------|
| | A0143016560 | 1 | Hook traverse | T141-2 E-Ha 1600 kg | |
| | A70011475 | 1 | Hook traverse | T141-2 E-Ha 2000 kg | |
| | A0143017560 | 1 | Hook traverse | T141-2 E-Ha 2500 kg | |
| 1 | A2133003520 | 1 | Load hook | RSN 1 E-Ha | Pos.3 |
| 3 | A1532053560 | 5 | Safety catch | | |
| 3 | A5210090 | 1 | Safety catch | | |
| 5 | A0443201100 | 2 | Lock for wire rope | | |
| 6 | A0143500660 | 2 | Rope wedge | | |
| 8 | A70001744 | 2 | S.W.L.-sign set | 1600 kg | Pos.9 |
| 8 | A70000956 | 2 | S.W.L.-sign set | 2000 kg | Pos.9 |
| 8 | A70001971 | 2 | S.W.L.-sign set | 2500 kg | Pos.9 |
| 9 | A5078310 | 2 | Blind rivet | 3×5 | |
| 11 | A70003711 | 2 | Name plate set | | Pos.12 |
| 12 | A5078310 | 4 | Blind rivet | 3×5 | |

H225-2, H226-2 bottom hook block



W0583

| Item | Part no. | Qty. | Description | Specification | Comment |
|------|-------------|------|-------------------|----------------------|---------|
| | A0143092500 | 1 | Bottom hook block | H225-2 E-Ha 2.5 ton | |
| | A70009355 | 1 | Bottom hook block | H225-2 E-Ha 3 ton | |
| | A0143091500 | 1 | Bottom hook block | H225-2 E-Ha 4 ton | |
| | A0143081500 | 1 | Bottom hook block | H225-2 E-Ha 5 ton | |
| | A70009373 | 1 | Bottom hook block | H225-2 E-Ha 6 ton | |
| | A70009381 | 1 | Bottom hook block | H225-2 E-Ha 7.5 ton | |
| | A70000775 | 1 | Bottom hook block | H225-2 E-Ha 7500 lbs | |
| | A0143078500 | 1 | Bottom hook block | H225-2 E-Ha 1600 kg | |
| | A0143079500 | 1 | Bottom hook block | H225-2 E-Ha 2000 kg | |
| | A0143080500 | 1 | Bottom hook block | H225-2 E-Ha 2500 kg | |
| | A70010949 | 1 | Bottom hook block | H225-2 E-Ha 3000 kg | |
| | A0143084500 | 1 | Bottom hook block | H225-2 E-Ha 3200 kg | |
| | A70010545 | 1 | Bottom hook block | H225-2 E-Ha 3500 kg | |
| | A0143085500 | 1 | Bottom hook block | H225-2 E-Ha 3700 kg | |
| | A70017984 | 1 | Bottom hook block | H225-2 E-Ha 4000 kg | |
| | A0143082500 | 1 | Bottom hook block | H225-2 E-Ha 5000 kg | |
| | A0143083500 | 1 | Bottom hook block | H225-2 E-Ha 6300 kg | |
| | A0143044500 | 1 | Bottom hook block | H225-2 D-Ha | 1) |
| | A0143090500 | 1 | Bottom hook block | H226-2 E-Ha 7500 lbs | |
| | A0143086500 | 1 | Bottom hook block | H226-2 E-Ha 1000 kg | |
| | A0143087500 | 1 | Bottom hook block | H226-2 E-Ha 1600 kg | |
| | A70006350 | 1 | Bottom hook block | H226-2 E-Ha 2500 kg | |
| | A70002330 | 1 | Bottom hook block | H226-2 E-Ha 3400 kg | |
| | A0143088500 | 1 | Bottom hook block | H226-2 E-Ha 5000 kg | |

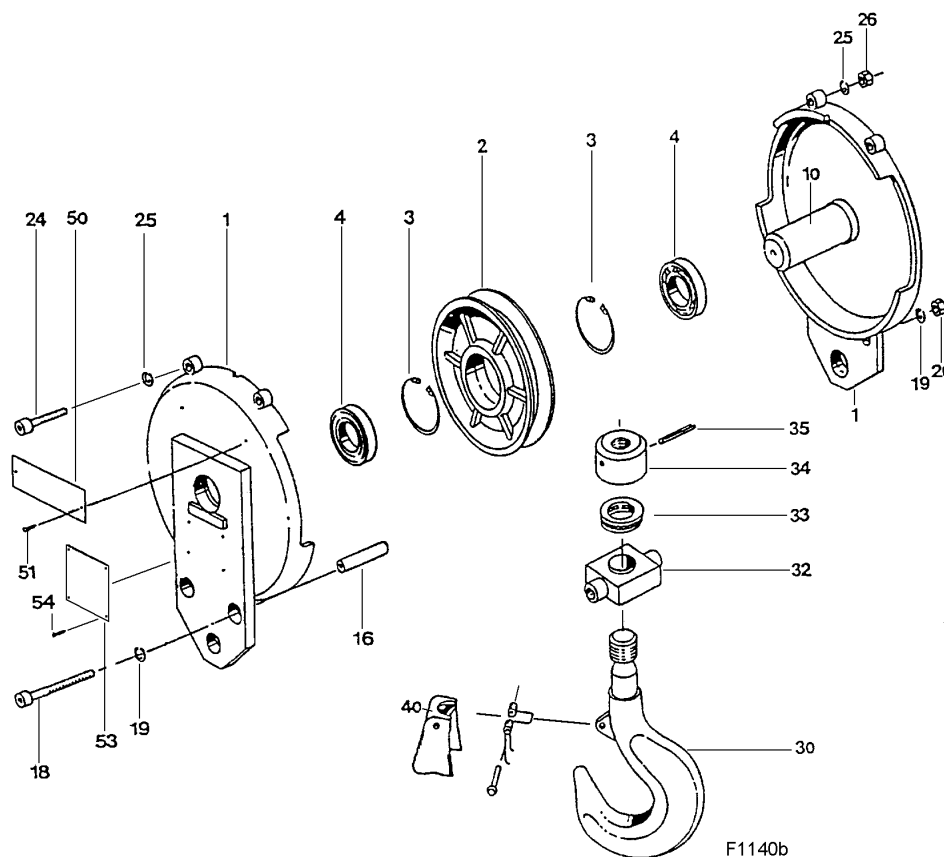
el-o.2.6;12.us;11.-ys | A11868001 Rev A1

Spare parts list YKC/SKC

| Item | Part no. | Qty. | Description | Specification | | Comment |
|------|-------------|------|--------------------------|---------------|-------------|-----------------|
| | A0143050500 | 1 | Bottom hook block | H226-2 D-Ha | | 1) |
| 1 | A0143003530 | 1 | Rope pulley | D 8.9 in | H225-2 | Pos.3 |
| 1 | A0143017530 | 1 | Rope pulley, intensified | D 8.9 in | H225-2 | Pos.3 |
| 1 | A0143005530 | 1 | Rope pulley | D 8.6 in | H226-2 | Pos.3 |
| 1 | A0143016530 | 1 | Rope pulley, intensified | D 8.9 in | H226-2 | Pos.3 |
| 3 | A5600340 | 2 | Bearing | 6210-2Z | DIN 625 | |
| 4 | A70004561 | 2 | Cheek plate | | | |
| 5 | A5009500 | 4 | Screw | M10×70 | DIN 933-8.8 | |
| 6 | A5068400 | 4 | Safety washer | S10 | | |
| 7 | A5069840 | 4 | Nut | M10 | DIN 934 | |
| 10 | A70004734 | 1 | Load hook | RSN 2.5 E-Ha | | Pos.11 – 15 |
| 12 | A5210270 | 1 | Safety catch | | | |
| 14 | A70045751 | 1 | Bearing set | 51108 | DIN 711 | Pos.15 |
| 15 | A5042470 | 1 | Spring-type straight pin | 8×70 | ISO 8752 | |
| 17 | A70004747 | 1 | Ramshorn hook | 2.5 D-Ha | | Pos.12 – 15, 18 |
| 18 | A5210130 | 2 | Safety catch | | | |
| 19 | A70005215 | 2 | S.W.L.-sign set | 2.5 ton | | Pos.20 |
| 19 | A70009354 | 2 | S.W.L.-sign set | 3 ton | | |
| 19 | A70005218 | 2 | S.W.L.-sign set | 4 ton | | Pos.20 |
| 19 | A70005280 | 2 | S.W.L.-sign set | 5 ton | | Pos.20 |
| 19 | A70009371 | 2 | S.W.L.-sign set | 6 ton | | |
| 19 | A70009377 | 2 | S.W.L.-sign set | 7.5 ton | | Pos.20 |
| 19 | A70005219 | 2 | S.W.L.-sign set | 7500 lbs | | Pos.20 |
| 19 | A70005225 | 2 | S.W.L.-sign set | 1000 kg | | Pos.20 |
| 19 | A70003756 | 2 | S.W.L.-sign set | 1600 kg | | Pos.20 |
| 19 | A70003757 | 2 | S.W.L.-sign set | 2000 kg | | Pos.20 |
| 19 | A70003758 | 2 | S.W.L.-sign set | 2500 kg | | Pos.20 |
| 19 | A70011482 | 2 | S.W.L.-sign set | 3000 kg | | Pos.20 |
| 19 | A70003759 | 2 | S.W.L.-sign set | 3200 kg | | Pos.20 |
| 19 | A70005240 | 2 | S.W.L.-sign set | 3400 kg | | Pos.20 |
| 19 | A70011493 | 2 | S.W.L.-sign set | 3500 kg | | Pos.20 |
| 19 | A70005251 | 2 | S.W.L.-sign set | 3700 kg | | Pos.20 |
| 19 | A70003786 | 2 | S.W.L.-sign set | 4000 kg | | Pos.20 |
| 19 | A70026315 | 2 | S.W.L.-sign set | 5000 kg | | Pos.20 |
| 19 | A70004852 | 2 | S.W.L.-sign set | 6300 kg | | Pos.20 |
| 20 | A5078310 | 2 | Blind rivet | 3×5 | | |
| 22 | A70007372 | 2 | Name plate set | | | Pos.23 |
| 23 | A5078310 | 4 | Blind rivet | 3×5 | | |

1) Please state capacity

H378-2 bottom hook block



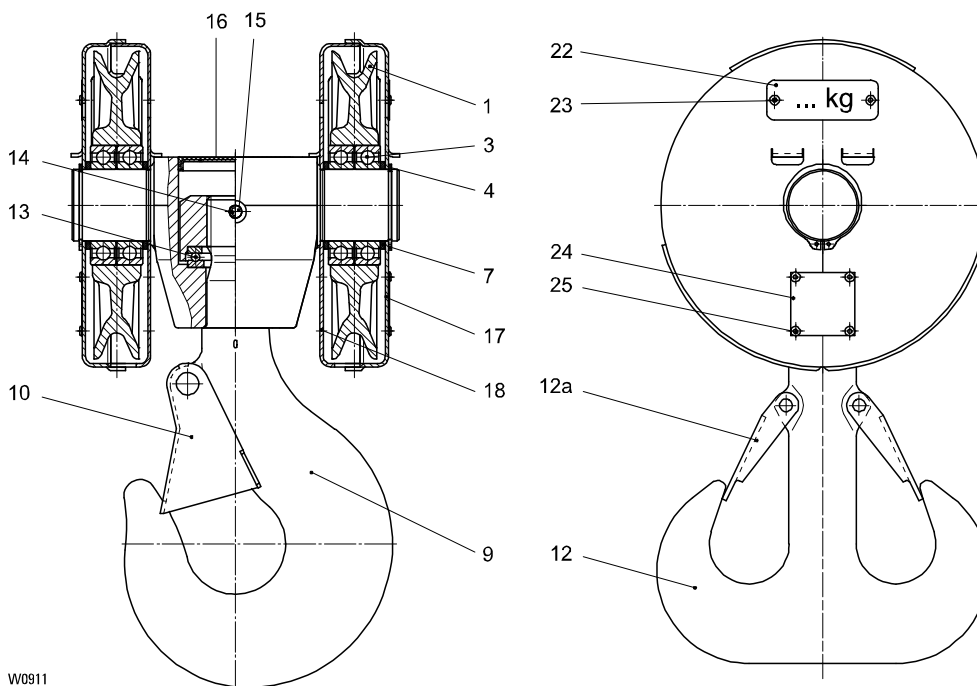
| Item | Part no. | Qty. | Description | Specification | Comment |
|------|-------------|------|--------------------------|---------------------|-------------|
| | A70010133 | 1 | Bottom hook block | H378-2 E-Ha 5 ton | |
| | A0333015610 | 1 | Bottom hook block | H378-2 E-Ha 7.5 ton | |
| | A70011200 | 1 | Bottom hook block | H378-2 E-Ha 2000 kg | |
| | A70005514 | 1 | Bottom hook block | H378-2 E-Ha 3200 kg | |
| | A70006747 | 1 | Bottom hook block | H378-2 E-Ha 4000 kg | |
| | A0333014610 | 1 | Bottom hook block | H378-2 E-Ha 5000 kg | |
| | A70006946 | 1 | Bottom hook block | H378-2 E-Ha 6300 kg | |
| | A0333055500 | 1 | Bottom hook block | H378-2 D-Ha | 1) |
| 1 | A0333062540 | 2 | Side cheek | | |
| 2 | A0333068530 | 1 | Rope pulley | D 14.8 in | Pos.3 – 4 |
| 2 | A0143021530 | 1 | Rope pulley, intensified | D 14.8 in | Pos.3 – 4 |
| 3 | A5069380 | 2 | Retaining ring | 125×4 DIN 472 | |
| 4 | A5600000 | 2 | Bearing | 6214-2Z DIN 625 | |
| 10 | A0333560140 | 1 | Axle | | |
| 16 | A2533501160 | 2 | Distance pipe | | |
| 18 | A0333501900 | 2 | Screw | | |
| 19 | A5068410 | 4 | Safety washer | S12 DIN 7980 | |
| 20 | A5065500 | 2 | Nut | M12 DIN 934-8 | |
| 24 | A5004080 | 2 | Screw | M12×60 DIN 912-8.8 | |
| 25 | A5068410 | 4 | Safety washer | S12 | |
| 26 | A5065500 | 2 | Nut | M12 DIN 934-8 | |
| 30 | A2533026520 | 1 | Load hook | RSN 5 E-Ha | Pos.31 – 40 |
| 30 | A2533013520 | 1 | Load hook | RS 5 D-Ha | |
| 32 | | 1 | Traverse | | |
| 33 | A70045750 | 1 | Bearing set | 51112 DIN 711 | Pos.35 |

Spare parts list YKC/SKC

| Item | Part no. | Qty. | Description | Specification | Comment |
|------|-------------|------|--------------------------|----------------|---------|
| 34 | | 1 | Nut | | |
| 35 | A5042490 | 1 | Spring-type straight pin | 10×90 ISO 8752 | |
| 40 | A5210270 | 1 | Safety catch | | |
| 40 | A5210140 | 2 | Safety catch | Ramshorn hook | |
| 50 | A0333513420 | 2 | Load plate | 3 ton | |
| 50 | A70005218 | 2 | S.W.L.-sign set | 4 ton | Pos.51 |
| 50 | A70005280 | 2 | S.W.L.-sign set | 5 ton | Pos.51 |
| 50 | A0333513420 | 2 | Load plate | 6 ton | |
| 50 | A70005252 | 2 | S.W.L.-sign set | 7.5 ton | Pos.51 |
| 50 | A70003757 | 2 | S.W.L.-sign set | 2000 kg | Pos.51 |
| 50 | A70003759 | 2 | S.W.L.-sign set | 3200 kg | |
| 50 | A70003786 | 2 | S.W.L.-sign set | 4000 kg | |
| 50 | A70005271 | 2 | S.W.L.-sign set | 5000 kg | Pos.51 |
| 50 | A70004852 | 2 | S.W.L.-sign set | 6300 kg | Pos.51 |
| 51 | A5078310 | 2 | Blind rivet | 3×5 | |
| 53 | A70002026 | 2 | Name plate set | | Pos.54 |
| 54 | A5078310 | 4 | Blind rivet | 3×5 | |

1) Please state capacity

H162-4 bottom hook block (2PD)



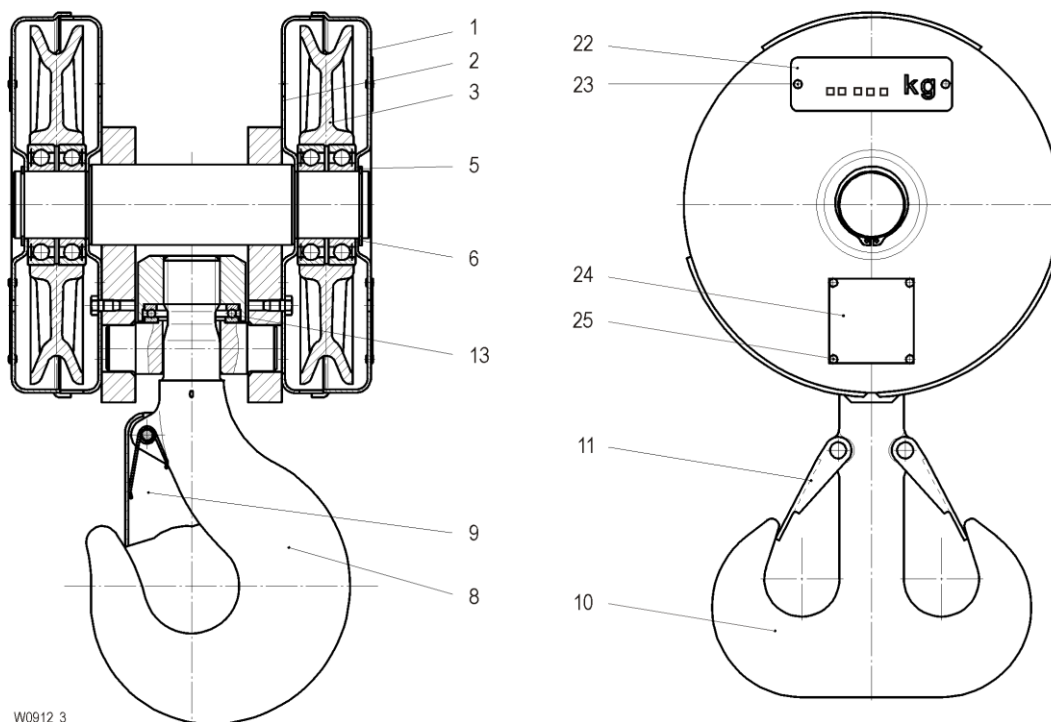
| Item | Part no. | Qty. | Description | Specification | Comment |
|------|-------------|------|--------------------------|---------------------|-----------------|
| | A0143009510 | 1 | Bottom hook block | H162-4 E-Ha 5 ton | |
| | A0143028510 | 1 | Bottom hook block | H162-4 E-Ha 7 ton | |
| | A0143089500 | 1 | Bottom hook block | H162-4 E-Ha 7.5 ton | |
| | A0143006510 | 1 | Bottom hook block | H162-4 E-Ha 2000 kg | |
| | A70006780 | 1 | Bottom hook block | H162-4 E-Ha 2500 kg | |
| | A0143007510 | 1 | Bottom hook block | H162-4 E-Ha 3200 kg | |
| | A0143008510 | 1 | Bottom hook block | H162-4 E-Ha 4000 kg | |
| | A0143026510 | 1 | Bottom hook block | H162-4 E-Ha 5000 kg | |
| | A0143027510 | 1 | Bottom hook block | H162-4 E-Ha 6300 kg | |
| | A0143077510 | 1 | Bottom hook block | H162-4 D-Ha | 1) |
| 1 | A0333020530 | 2 | Rope pulley | D 6.3 in | Pos.3 |
| 1 | A0143015530 | 2 | Rope pulley, intensified | D 6.3 in | Pos.3 |
| 3 | A5601330 | 4 | Bearing | 6009-2Z DIN 625 | |
| 4 | A5070560 | 4 | Supporting ring | S45×55×3 DIN 988 | |
| 7 | A5071290 | 2 | Retaining ring | 45×1.75V | |
| 9 | A70004734 | 1 | Load hook | RSN 2.5 E-Ha | Pos.10, 13 – 15 |
| 10 | A5210270 | 1 | Safety catch | | |
| 12 | A70004747 | 1 | Ramshorn hook | 2.5 D-Ha | Pos.12a – 15 |
| 12a | A5210130 | 2 | Safety catch | | |
| 13 | A70045751 | 1 | Bearing set | 51108 DIN 711 | Pos.14 |
| 14 | A5041990 | 1 | Spring-type straight pin | 8×70 ISO 8752 | |
| 15 | A5150150 | 2 | Plug | | |
| 16 | A5180350 | 1 | End cap | 72×9 | |
| 17 | A70002691 | 2 | Protection hood | Outside, painted | |
| 18 | A70002715 | 2 | Protection hood | Inside, painted | |
| 22 | A70005197 | 2 | S.W.L.-sign set | 5 ton | Pos.23 |
| 22 | A70006764 | 2 | S.W.L.-sign set | 7 ton | Pos.23 |
| 22 | A70006766 | 2 | S.W.L.-sign set | 7.5 ton | Pos.23 |
| 22 | A70001956 | 2 | S.W.L.-sign set | 2000 kg | Pos.23 |
| 22 | A70001971 | 2 | S.W.L.-sign set | 2500 kg | Pos.23 |
| 22 | A70001973 | 2 | S.W.L.-sign set | 3200 kg | Pos.23 |

Spare parts list YKC/SKC

| Item | Part no. | Qty. | Description | Specification | Comment |
|------|-----------|------|-----------------|---------------|---------|
| 22 | A70003715 | 2 | S.W.L.-sign set | 4000 kg | Pos.23 |
| 22 | A70003719 | 2 | S.W.L.-sign set | 5000 kg | Pos.23 |
| 22 | A70003722 | 2 | S.W.L.-sign set | 6300 kg | Pos.23 |
| 23 | A5078310 | 2 | Blind rivet | 3×5 | |
| 24 | A70001701 | 2 | Name plate set | | Pos.24 |
| 25 | A5078310 | 4 | Blind rivet | 3×5 | |

1) Please state capacity

H226-4 bottom hook block (4PS, max. 10000 kg)



| Item | Part no. | Qty. | Description | Specification | Comment |
|------|-------------|------|--------------------------|----------------------|---------|
| | A7000110 | 1 | Bottom hook block | H226-4 E-Ha 5 ton | |
| | A0143093500 | 1 | Bottom hook block | H226-4 E-Ha 7.5 ton | |
| | A70009390 | 1 | Bottom hook block | H226-4 E-Ha 9 ton | |
| | A0143081510 | 1 | Bottom hook block | H226-4 E-Ha 10 ton | |
| | A0143100510 | 1 | Bottom hook block | H226-4 E-Ha 11 ton | |
| | A0143078510 | 1 | Bottom hook block | H226-4 E-Ha 3200 kg | |
| | A70004820 | 1 | Bottom hook block | H226-4 E-Ha 5000 kg | |
| | A0143094500 | 1 | Bottom hook block | H226-4 E-Ha 6300 kg | |
| | A0143079510 | 1 | Bottom hook block | H226-4 E-Ha 8000 kg | |
| | A0143080510 | 1 | Bottom hook block | H226-4 E-Ha 9000 kg | |
| | A0143082510 | 1 | Bottom hook block | H226-4 E-Ha 10000 kg | |
| | A0143048510 | 1 | Bottom hook block | H226-4 D-Ha | 1) |
| 1 | A70002726 | 2 | Protection hood | Outside, painted | |
| 2 | A70002734 | 2 | Protection hood | Inside, painted | |
| 3 | A0143003530 | 2 | Rope pulley | D 8.9 in | |
| 3 | A0143017530 | 2 | Rope pulley, intensified | D 8.9 in | |
| 5 | A5069360 | 2 | Retaining ring | 50×2 DIN 471 | |
| 6 | A5071630 | 4 | Adjusting washer | 50×62×0.5 DIN 988 | |
| 8 | A2533025520 | 1 | Load hook | RSN 4 E-Ha | Pos.9 |
| 9 | A5210270 | 1 | Safety catch | | |
| 10 | A2533012520 | 1 | Ramshorn hook | RSN 4 D-Ha | Pos.11 |
| 11 | A5210140 | 2 | Safety catch | | |
| 13 | A70045749 | 1 | Bearing set | | |
| 22 | A70005280 | 2 | S.W.L.-sign set | 5 ton | Pos.23 |
| 22 | A70005252 | 2 | S.W.L.-sign set | 7.5 ton | Pos.23 |
| 22 | A70009385 | 2 | S.W.L.-sign set | 9 ton | Pos.23 |
| 22 | A70005287 | 2 | S.W.L.-sign set | 10 ton | Pos.23 |
| 22 | A70005288 | 2 | S.W.L.-sign set | 11 ton | Pos.23 |
| 22 | A70003759 | 2 | S.W.L.-sign set | 3200 kg | Pos.23 |
| 22 | A70005271 | 2 | S.W.L.-sign set | 5000 kg | Pos.23 |

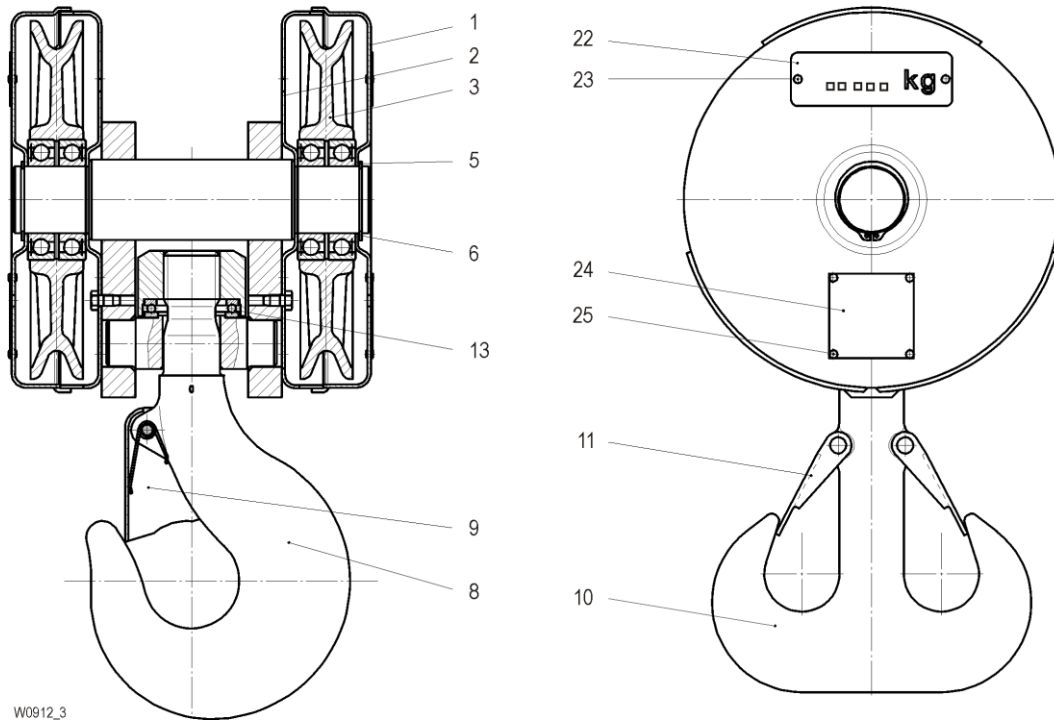
Spare parts list YKC/SKC

| Item | Part no. | Qty. | Description | Specification | Comment |
|------|-----------|------|-----------------|---------------|---------|
| 22 | A70004852 | 2 | S.W.L.-sign set | 6300 kg | Pos.23 |
| 22 | A70004885 | 2 | S.W.L.-sign set | 8000 kg | Pos.23 |
| 22 | A70006947 | 2 | S.W.L.-sign set | 9000 kg | Pos.23 |
| 22 | A70004904 | 2 | S.W.L.-sign set | 10000 kg | Pos.23 |
| 23 | A5078310 | 2 | Blind rivet | 3×5 | |
| 24 | A70001728 | 2 | Name plate set | | Pos.25 |
| 25 | A5078310 | 4 | Blind rivet | 3×5 | |

1) Please state capacity

Spare parts list
YKC/SKC

H227-4 bottom hook block (4PS, max. 12500 kg, 15 US tons)



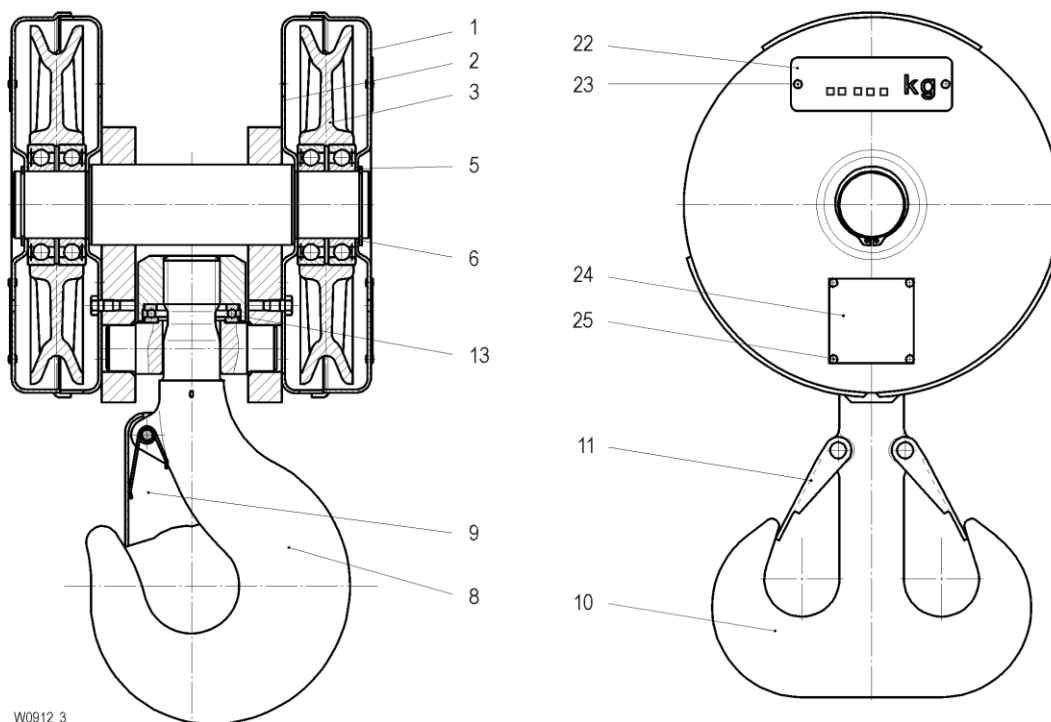
W0912_3

| Item | Part no. | Qty. | Description | Specification | Comment |
|------|-------------|------|--------------------------|----------------------|---------|
| | A70008399 | 1 | Bottom hook block | H227-4 E-Ha 11 ton | |
| | A0143087510 | 1 | Bottom hook block | H227-4 E-Ha 15 ton | |
| | A0143086510 | 1 | Bottom hook block | H227-4 E-Ha 5000 kg | |
| | A0143083510 | 1 | Bottom hook block | H227-4 E-Ha 8000 kg | |
| | A0143084510 | 1 | Bottom hook block | H227-4 E-Ha 10000 kg | |
| | A0143085510 | 1 | Bottom hook block | H227-4 E-Ha 12500 kg | |
| | A0143054510 | 1 | Bottom hook block | H227-4 D-Ha | 1) |
| 1 | A70002726 | 2 | Protection hood | Outside, painted | |
| 2 | A70002734 | 2 | Protection hood | Inside, painted | |
| 3 | A0143003530 | 2 | Rope pulley | D 8.9 in | |
| 3 | A0143017530 | 2 | Rope pulley, intensified | D 8.9 in | |
| 5 | A5069360 | 2 | Retaining ring | 50×2 DIN 471 | |
| 6 | A5071630 | 4 | Adjusting washer | 50×62×0.5 DIN 988 | |
| 8 | A2533026520 | 1 | Load hook | RSN 5 E-Ha | Pos.9 |
| 9 | A5210270 | 1 | Safety catch | | |
| 10 | A2533013520 | 1 | Ramshorn hook | RS 5 D-Ha | Pos.11 |
| 11 | A5210140 | 2 | Safety catch | | |
| 13 | A70045750 | 1 | Bearing set | | |
| 22 | A70005288 | 2 | S.W.L.-sign set | 11 ton | Pos.23 |
| 22 | A70005290 | 2 | S.W.L.-sign set | 15 ton | Pos.23 |
| 22 | A70005271 | 2 | S.W.L.-sign set | 5000 kg | Pos.23 |
| 22 | A70004885 | 2 | S.W.L.-sign set | 8000 kg | Pos.23 |
| 22 | A70004904 | 2 | S.W.L.-sign set | 10000 kg | Pos.23 |
| 22 | A70004912 | 2 | S.W.L.-sign set | 12500 kg | Pos.23 |
| 23 | A5078310 | 2 | Blind rivet | 3×5 | |
| 24 | A70000110 | 2 | Name plate set | | Pos.25 |
| 25 | A5078310 | 4 | Blind rivet | 3×5 | |

1) Please state capacity

Spare parts list
YKC/SKC

H228-4 bottom hook block (4PS, max. 10000 kg)

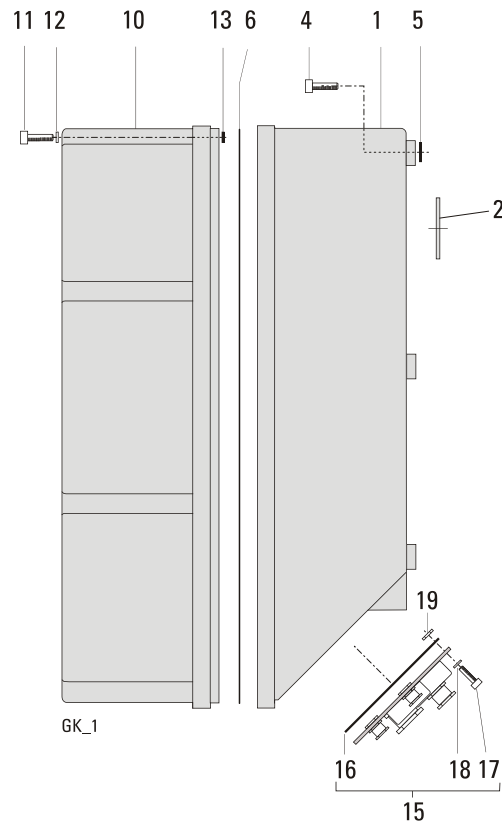


| Item | Part no. | Qty. | Description | Specification | Comment |
|------|-------------|------|--------------------------|----------------------|---------|
| | A0143089510 | 1 | Bottom hook block | H228-4 E-Ha 6300 kg | |
| | A70007040 | 1 | Bottom hook block | H228-4 E-Ha 8000 kg | |
| | A70007041 | 1 | Bottom hook block | H228-4 E-Ha 10000 kg | |
| | A0143062510 | 1 | Bottom hook block | H228-4 D-Ha | 1) |
| 1 | A70002726 | 2 | Protection hood | Outside, painted | |
| 2 | A70002734 | 2 | Protection hood | Inside, painted | |
| 3 | A0143005530 | 2 | Rope pulley | D 8.9 in | |
| 3 | A0143016530 | 2 | Rope pulley, intensified | D 8.9 in | |
| 5 | A5069360 | 2 | Retaining ring | 50×2 DIN 471 | |
| 6 | A5071630 | 4 | Adjusting washer | 50×62×0.5 DIN 988 | |
| 8 | A2533025520 | 1 | Load hook | RSN 4 E-Ha | Pos.9 |
| 9 | A5210270 | 1 | Safety catch | | |
| 10 | A2533012520 | 1 | Ramshorn hook | RSN 4 D-Ha | Pos.11 |
| 11 | A5210140 | 2 | Safety catch | | |
| 13 | A70045749 | 1 | Bearing set | | |
| 22 | A70004852 | 2 | S.W.L.-sign set | 6300 kg | Pos.23 |
| 22 | A70004885 | 2 | S.W.L.-sign set | 8000 kg | Pos.23 |
| 22 | A70004904 | 2 | S.W.L.-sign set | 10000 kg | Pos.23 |
| 23 | A5078310 | 2 | Blind rivet | 3×5 | |
| 24 | A70000110 | 2 | Name plate set | | Pos.25 |
| 25 | A5078310 | 4 | Blind rivet | 3×5 | |

1) Please state capacity

Spare parts list YKC/SKC

Terminal box

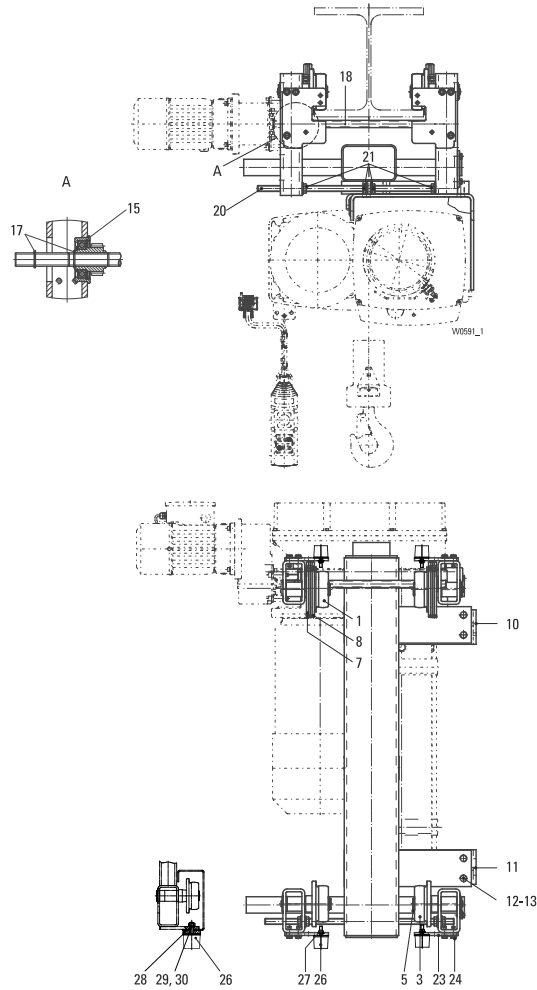


| Item | Part no. | Qty. | Description | Specification | Comment |
|------|-------------|------|--------------------|---------------|---------------|
| 1 | A70021658 | 1 | Terminal box | YK | Pos.2 |
| 1 | A70021659 | 1 | Terminal box | SK | Pos.2 |
| 2 | A0543900950 | 1 | Sealing ring | | |
| 4 | A5001820 | 6 | Screw | M8×30 | DIN 912-8.8 |
| 5 | A5159360 | 6 | Round sealing ring | 5×2.5 | |
| 6 | A0543902950 | 1 | Seal | | |
| 10 | A70021660 | 1 | Box cover | YK | |
| 10 | A70021661 | 1 | Box cover | SK | |
| 11 | A5002280 | 8 | Screw | M5×20 | DIN 912-8.8 |
| 12 | A5070510 | 8 | Safety washer | S5 | |
| 13 | A5150070 | 8 | Round sealing ring | 4.0×1.5 | |
| 15 | A05430..980 | 1 | Flange plate | | Pos.16– 19 1) |
| 16 | A0543901950 | 1 | Seal | | |
| 17 | A5011160 | 7 | Screw | M5×12 | DIN 6912 |
| 18 | A5060830 | 7 | Disc | A5.3 | DIN 125 |
| 19 | A5071300 | 7 | Locking nut | M5 | |

1) Please state serial no.

Spare parts list
YKC/SKC

UE-S45 trolley

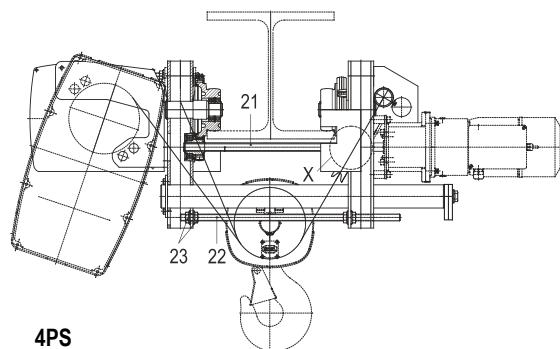


| Item | Part no. | Qty. | Description | Specification | Comment |
|------|-------------|------|----------------------------|------------------------------|-------------|
| 1 | A2434000650 | 2 | Wheel set | A100 L3/4 | Pos.5 |
| 3 | A0425002640 | 2 | Wheel set | B100 L3/4 | Pos.5 |
| 5 | A5060980 | 4 | Retaining ring | 30×1.5 DIN 471 | |
| 7 | A0425403400 | 2 | Wheel cover | | |
| 8 | A0425404400 | 2 | Wheel cover | | |
| 10 | A0543202010 | 1 | Support plate gear side | | |
| 10 | A0543209010 | 1 | Support plate gear side | With overload cut-off device | |
| 11 | A0543203010 | 1 | Support plate bearing side | | |
| 12 | A5003700 | 7 | Screw | M24×50 ISO 4017-8.8 | |
| 13 | A5070060 | 7 | Safety washer | S24 | |
| 15 | A2127001390 | 2 | Flange bearing complete | DIN 471 | Pos.17 |
| 17 | A5070980 | 2 | Retaining ring | 20×1.75 | |
| 18 | A2127308600 | 1 | Drive shaft | | |
| 20 | A0250019 | 2 | Threaded bolt | M16×520 DIN 976-8.8 | |
| 21 | A5071980 | 12 | Locking nut | M16 | |
| 23 | A2434203210 | 4 | Anti-derail device | | |
| 24 | A5011190 | 12 | Locking screw | M8×25 | |
| 26 | A2434000450 | 1 | Buffer assembly | | Pos.27 – 30 |
| 27 | | 4 | Locking nut | M10 | |
| 28 | | 4 | Distance disc | | |
| 29 | | 4 | Safety washer | | |
| 30 | | 4 | Nut | M10 | |

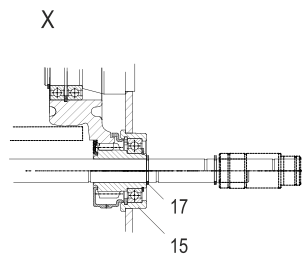
ol-c.2.6.12-us-11.1-ys | A11868001 Rev A1

Spare parts list YKC/SKC

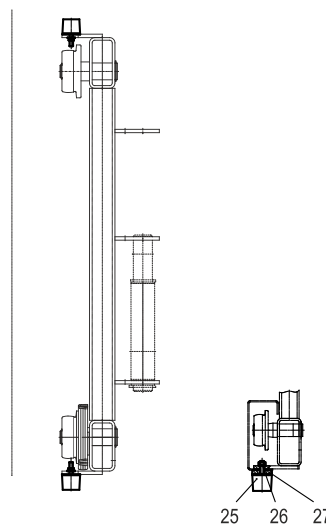
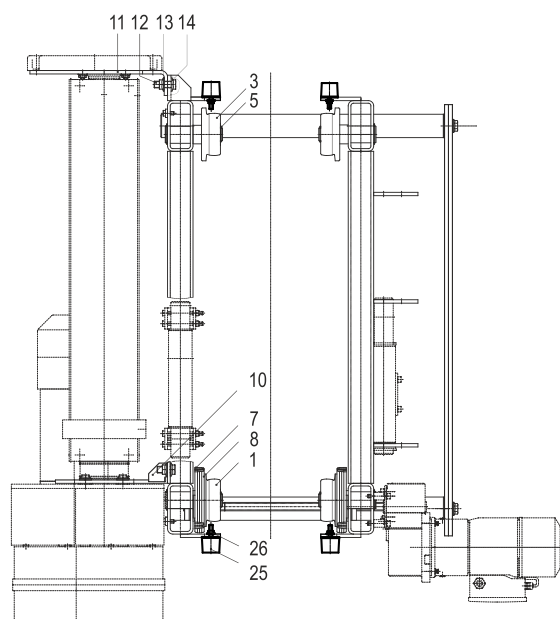
KE-S6 trolley



4PS



2PS



F0479_2

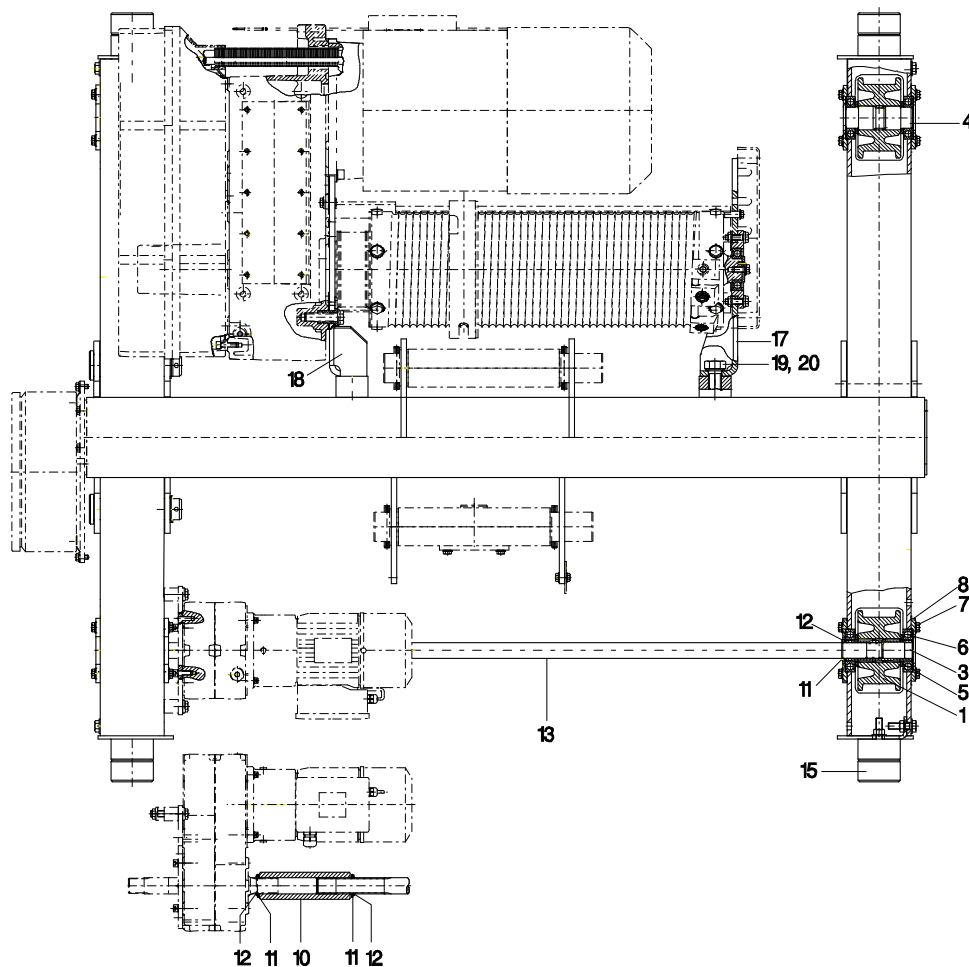
| Item | Part no. | Qty. | Description | Specification | Comment |
|------|-------------|------|----------------------------|-----------------|-------------|
| 1 | A2634000650 | 2 | Wheel set | A140 L6/5 | Pos.5 |
| 3 | A0625000640 | 2 | Wheel set | B140 L6/5 | Pos.5 |
| 5 | A5062470 | 4 | Retaining ring | 40×1.75 DIN 471 | |
| 7 | A0625405400 | 2 | Wheel cover | | |
| 8 | A0625406400 | 2 | Wheel cover | | |
| 10 | A0543204010 | 1 | Support plate gear side | YKC/SKC | 1) |
| 10 | A0543010290 | 1 | Support plate gear side | YKC/SKC | 2) |
| 11 | A0543205010 | 1 | Support plate bearing side | YKC/SKC | 1) |
| 11 | A0543011290 | 1 | Support plate bearing side | YKC/SKC | 2) |
| 12 | A5003700 | 4 | Hexagon head cap screw | M24×50 | |
| 13 | A5069870 | 4 | Hexagonal nut | M24 | |
| 14 | A5070060 | 8 | Safety washer | S24 | |
| 15 | A2127001390 | 2 | Flange bearing complete | | Pos.17 |
| 17 | A5070980 | 2 | Retaining ring | 20×1.75 DIN 471 | |
| 21 | A2127309600 | 1 | Drive shaft | 4.7 – 12.6 in | 3) |
| 21 | A2127314600 | 1 | Drive shaft | 13.0 – 19.7 in | 3) |
| 22 | A0250029 | 2 | Threaded bolt | M16×720 | |
| 23 | A5071980 | 8 | Locking nut | M16 | |
| 25 | A2634000450 | 1 | Buffer assembly | | Pos.26 – 27 |
| 26 | | 4 | Locking nut | | |
| 27 | | 4 | Distance disc | | |

- 1) Drum pull force ≤ 2500 daN
- 2) Drum pull force > 2500 daN
- 3) Flange width

el-o.2.6;12-us-11;1-ys | A11868001 Rev AI

Spare parts list YKC/SKC

OE-S05 trolley



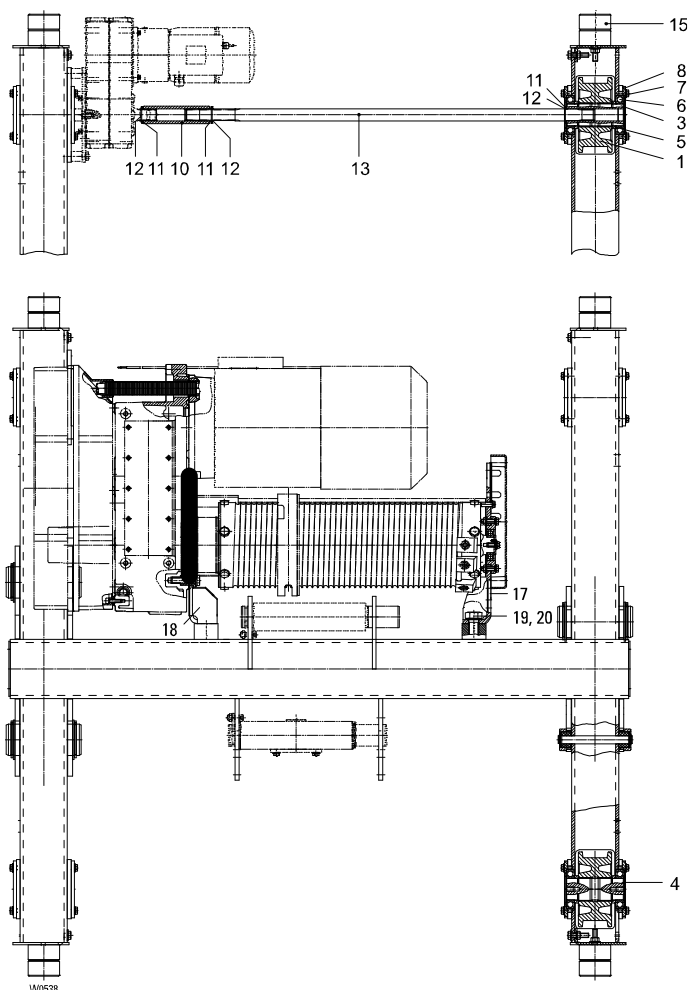
F0262

| Item | Part no. | Qty. | Description | Specification | Comment |
|------|-------------|------|----------------------------|---------------|------------------------|
| 1 | A2425410010 | 4 | Wheel | D 125 | b1=2.0 in, k=1.6 in 1) |
| 1 | A2425411010 | 4 | Wheel | D 125 | b1=2.4 in, k=2.0 in 1) |
| 3 | A2425412140 | 2 | Travelling wheel shaft | | |
| 4 | A2425411170 | 2 | Axle | | |
| 5 | A3324500030 | 8 | Disc | | |
| 6 | A5600480 | 8 | Bearing | 6208-2Z | DIN 625 |
| 7 | A5011040 | 24 | Locking screw | M10×20-10 | |
| 8 | A2571204580 | 8 | Bearing cover | | |
| 10 | A2227500350 | 1 | Coupling sleeve | | |
| 11 | A5068150 | 3 | Supporting ring | S30×42×2.5 | DIN 988 |
| 12 | A5061210 | 3 | Retaining ring | 30×2 | DIN 471 |
| 13 | A2227503140 | 1 | Drive shaft | 49.2 in | 2) |
| 13 | A2227500140 | 1 | Drive shaft | 55.1 in | 2) |
| 13 | A2227501140 | 1 | Drive shaft | 88.2 in | 2) |
| 13 | A2227502140 | 1 | Drive shaft | 110.2 in | 2) |
| 15 | A2571011230 | 4 | Buffer | | |
| 17 | A0543205010 | 1 | Support plate gear side | YKC/SKC | 3) |
| 18 | A0543204010 | 1 | Support plate bearing side | YKC/SKC | 3) |
| 19 | A5070060 | 4 | Safety washer | S24 | |
| 20 | A5001290 | 4 | Screw | M24×45 | EN 24017 |

- 1) b1=wheel tread, k=rail width
 2) Track gauge
 3) Drum pull force ≤ 2500 daN

Spare parts list YKC/SKC

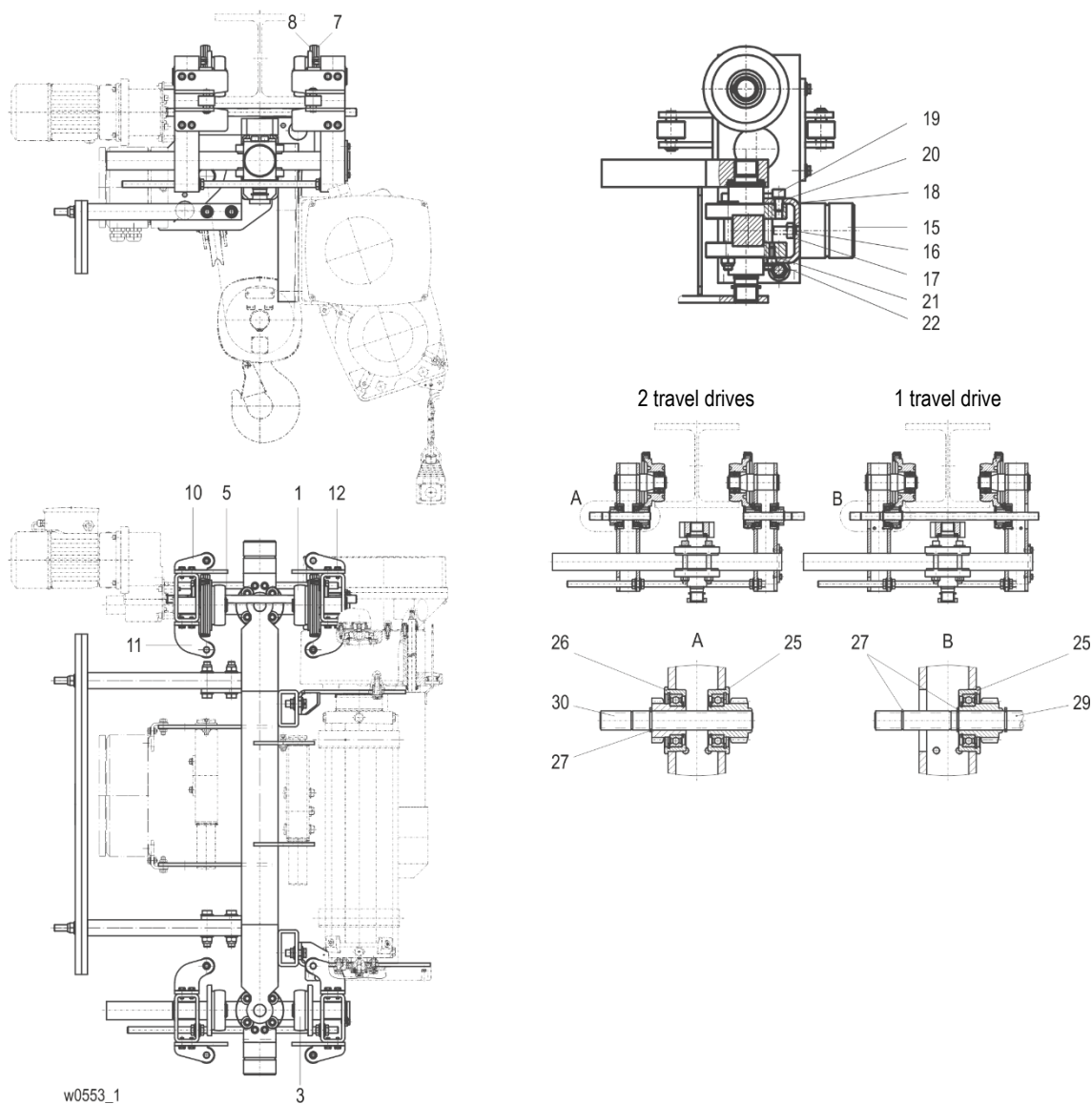
OE-S06 trolley



| Item | Part no. | Qty. | Description | Specification | Comment |
|------|-------------|------|----------------------------|---------------|-------------------------|
| 1 | A2425420010 | 4 | Wheel | D 160 | b1=2.05 in, k=1.6 in 1) |
| 1 | A2425421010 | 4 | Wheel | D 160 | b1=2.44 in, k=2.0 in 1) |
| 3 | A2425424140 | 2 | Travelling wheel shaft | | |
| 4 | A2425421170 | 2 | Axle | | |
| 5 | A2671200510 | 8 | Bushing | | |
| 6 | A5600490 | 8 | Bearing | 6211-2Z | DIN 625 |
| 7 | A5011040 | 24 | Locking screw | M10×20-10 | |
| 8 | A2671203580 | 8 | Bearing cover | | |
| 10 | A2227500350 | 1 | Coupling sleeve | | |
| 11 | A5068150 | 3 | Supporting ring | S30×42×2.5 | DIN 988 |
| 12 | A5061210 | 3 | Retaining ring | 30×2 | DIN 471 |
| 13 | A2227504140 | 1 | Drive shaft | 49.2 in | 2) |
| 13 | A2227505140 | 1 | Drive shaft | 55.1 in | 2) |
| 13 | A2227506140 | 1 | Drive shaft | 88.2 in | 2) |
| 13 | A2227507140 | 1 | Drive shaft | 110.2 in | 2) |
| 15 | A2571011230 | 4 | Buffer | | |
| 17 | A0543011290 | 1 | Support plate gear side | YKC/SKC | 3) |
| 18 | A0543010290 | 1 | Support plate bearing side | YKC/SKC | 3) |
| 19 | A5070060 | 4 | Safety washer | S24 | |
| 20 | A5001290 | 4 | Screw | M24×45 | EN 24017 |

- 1) b1=wheel tread, k=rail width
 2) Track gauge
 3) Drum pull force > 2500 daN

DKE-S65 articulated trolley



| Item | Part no. | Qty. | Description | Specification | Comment |
|------|-------------|------|----------------|--------------------|---------|
| 1 | A0625005400 | 2 | Wheel | A140 L6/5 | |
| 3 | A0625005410 | 2 | Wheel | B140 L6/5 | |
| 5 | A5062470 | 4 | Retaining ring | 40×1.75 DIN 471 | |
| 7 | A0625405400 | 2 | Wheel cover | | |
| 8 | A0625406400 | 2 | Wheel cover | | |
| 10 | A2634001580 | 4 | Guide roller 2 | | |
| 11 | A2634000580 | 4 | Guide roller 1 | | |
| 12 | A5011190 | 32 | Locking screw | M8×25 | |
| 15 | A5774150 | 2 | Buffer | | |
| 16 | A5068410 | 2 | Safety washer | S12 | |
| 17 | A5065500 | 2 | Nut | M12 ISO 4032 | |
| 18 | A2634212830 | 2 | Fastening bow | | |
| 19 | A5001500 | 4 | Screw | M12×20 DIN 912-8.8 | |
| 20 | A5068410 | 4 | Safety washer | S12 | |
| 21 | A5068390 | 4 | Safety washer | S8 | |
| 22 | A5001440 | 4 | Screw | M8×16 ISO 4762 | |
| 25 | A2127001390 | 2 | Flange bearing | | |
| 26 | A2127002390 | 2 | Flange bearing | | |

Spare parts list YKC/SKC

| Item | Part no. | Qty. | Description | Specification | Comment |
|------|-------------|------|----------------|-----------------------|---------|
| 27 | A5070980 | 2 | Retaining ring | 20×1.75 DIN 471 | |
| 29 | A2127309600 | 1 | Drive shaft | > 4.69 in < 11.02 in | 1) |
| 29 | A2127314600 | 1 | Drive shaft | > 11.06 in < 11.81 in | 1) |
| 30 | A2127310600 | 2 | Drive shaft | | |

1) Flange width

RECOMMENDED SPARE PARTS

Certain parts of your hoist will, in time, require replacement under normal wear conditions. It is suggested that the following parts be purchased for your hoist as spares for future use.

- One Brake Friction Disc
- One Brake Control Module
- One Brake Hardware Kit
- One Set of Contactors
- One Transformer
- One Wire Rope Assembly
- One Hook Latch Kit

Note: When ordering parts always furnish Hoist Serial Number, Catalog Number, Motor power, Voltage, Phase, Frequency and Rated Load of Hoist on which the parts are to be used.

PARTS AND SERVICES ARE AVAILABLE IN THE UNITED STATES AND IN CANADA

Parts for your hoist or trolley are available from your local authorized repair station. For the name of the nearest parts or service center, visit our website www.cmworks.com or call the Columbus McKinnon customer service department at (800) 888-0985.

WARRANTY

LIMITATION OF WARRANTIES, REMEDIES AND DAMAGES

INDEMNIFICATION AND SAFE OPERATION

Buyer shall comply with and require its employees to comply with directions set forth in instructions and manuals furnished by Seller and shall use and require its employees to follow such instructions and manuals and to use reasonable care in the use and maintenance of the goods. Buyer shall not remove or permit anyone to remove any warning or instruction signs on the goods. In the event of personal injury or damage to property or business arising from the use of the goods, Buyer shall within 48 hours thereafter give Seller written notice of such injury or damage. Buyer shall cooperate with Seller in investigating any such injury or damage and in the defense of any claims arising therefrom.

If Buyer fails to comply with this section or if any injury or damage is caused, in whole or in part, by Buyer's failure to comply with applicable federal or state safety requirements, Buyer shall indemnify and hold Seller harmless against any claims, loss or expense for injury or damage arising from the use of the goods.

CMCO Warranty (HOISTS)

- A. Columbus McKinnon Corporation ("Seller") warrants to the original end user ("Buyer") that: (a) for a period of one (1) year from the date of Seller's delivery of the goods (collectively, the "Goods") to the carrier, the electrical components of the Goods will be free from defects in workmanship and materials; and (b) for a period of three (3) years from the date of Seller's delivery of the goods (collectively, the "Goods") to the carrier, the mechanical components of the Goods will be free from defects in workmanship and materials.
- B. IN THE EVENT OF ANY BREACH OF SUCH WARRANTY, SELLER'S SOLE OBLIGATION SHALL BE EXCLUSIVELY LIMITED TO, AT THE OPTION OF SELLER, REPAIR OR REPLACEMENT, F.O.B. SELLER'S POINT OF SHIPMENT, OF ANY GOODS THAT SELLER DETERMINES TO HAVE BEEN DEFECTIVE OR, IF SELLER DETERMINES THAT SUCH REPAIR OR REPLACEMENT IS NOT FEASIBLE, TO A REFUND OF THE PURCHASE PRICE UPON RETURN OF THE GOODS TO SELLER. NO CLAIM AGAINST SELLER FOR ANY BREACH OF (i) SUCH WARRANTY WITH RESPECT TO THE ELECTRICAL COMPONENTS OF ANY GOOD SHALL BE VALID OR ENFORCEABLE UNLESS BUYER'S WRITTEN NOTICE THEREOF IS RECEIVED BY SELLER WITHIN ONE (1) YEAR FROM THE DATE OF SELLER'S DELIVERY TO THE CARRIER AND (ii) SUCH WARRANTY WITH RESPECT TO THE MECHANICAL COMPONENTS OF ANY GOOD SHALL BE VALID OR ENFORCEABLE UNLESS BUYER'S WRITTEN NOTICE THEREOF IS RECEIVED BY SELLER WITHIN ONE (1) YEAR FROM THE DATE THE DATE ANY ALLEGED CLAIM ACCRUES. EXCEPT FOR THE WARRANTY SET FORTH ABOVE, SELLER MAKES NO OTHER WARRANTIES WITH RESPECT TO THE GOODS, WHETHER EXPRESSED OR IMPLIED, INCLUDING ANY WARRANTIES OF MERCHANTABILITY, FITNESS FOR A PARTICULAR PURPOSE, QUALITY AND/OR THOSE ARISING BY STATUTE OR OTHERWISE BY LAW OR FROM ANY COURSE OF DEALING OR USE OF TRADE, ALL OF WHICH ARE HEREBY EXPRESSLY DISCLAIMED.

- C. IN NO EVENT SHALL SELLER BE LIABLE TO BUYER OR ANY THIRD PARTY WITH RESPECT TO ANY GOOD, WHETHER IN CONTRACT, TORT OR OTHER THEORY OF LAW, FOR LOSS OF PROFITS OR LOSS OF USE, OR FOR ANY INCIDENTAL, CONSEQUENTIAL, SPECIAL, DIRECT OR INDIRECT DAMAGES, HOWSOEVER CAUSED. SELLER'S MAXIMUM LIABILITY TO BUYER WITH RESPECT TO THE GOODS SHALL IN NO EVENT EXCEED THE PRICE PAID BY BUYER FOR THE GOODS THAT ARE THE SUBJECT OF THE APPLICABLE CLAIM.
- D. Seller shall not be liable for any damage, injury or loss arising out of the use of the Goods if, prior to such damage, injury or loss, such Goods are: (1) damaged or misused following Seller's delivery to the carrier; (2) not maintained, inspected, or used in compliance with applicable law and Seller's written instructions and recommendations; or (3) installed, repaired, altered or modified (a) with any part or accessory other than those supplied by Seller or (b) without compliance with such laws, instructions or recommendations.
- E. This warranty is limited and provided only to the original end user. **Each Good must be registered within sixty (60) days of receipt of each product to establish eligibility.** Please register at www.cmworks.com/hoist-warranty-registration or submit registration card via US mail.
- F. Any action against Seller for breach of warranty, negligence or otherwise in connection with the electrical components of any Good must be commenced by Buyer within one (1) year after: (a) the date any alleged claim accrues; or (b) the date of delivery of the Goods to Buyer, whichever is earlier. Any action against Seller for breach of warranty, negligence or otherwise in connection with the mechanical components of any Good must be commenced by Buyer within one (1) year after the date any alleged claim accrues.
- G. This warranty is contingent upon Buyer's proper maintenance and care of the Goods, and does not extend to normal wear and tear. Seller reserves the right, at its option, to void this warranty in the event of Buyer's use with the Goods of parts or accessories other than those supplied by Seller.

⚠ WARNING

Alterations or modifications of equipment and use of non-factory repair parts can lead to dangerous operation and injury.

TO AVOID INJURY:

- Do not alter or modify equipment.
- Do use only factory replacement parts.



USA: Ph: (800) 888.0985 • (716) 689.5400 • Fax: (716) 689.5644 • www.cmworks.com

CANADA: Ph: (877) 264.6478 • Fax: (877) 264.6477 • www.cmworks.com