



YKD  
SKD



YKE  
SKE

## Wire rope hoists

### Spare parts list

en-US

**Before installing hoist, fill in the information below.  
Refer to the Hoist and Motor data plates.**

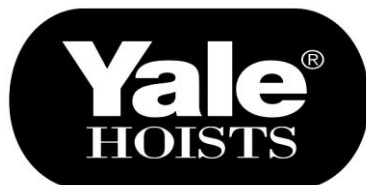
Model No. \_\_\_\_\_

Serial No. \_\_\_\_\_

Purchase Date \_\_\_\_\_

Voltage \_\_\_\_\_

Rated Load \_\_\_\_\_



**SHAW-BOX®**

**Notes**

**YALE/SHAWBOX HOIST PARTS AND SERVICES ARE AVAILABLE IN THE UNITED STATES AND IN CANADA**

As a Yale/Shawbox Hoist and Trolley user you are assured of reliable repair and parts services through a network of Master Parts Depots and Service Centers that are strategically located in the United States and Canada. These facilities have been selected on the basis of their demonstrated ability to handle all parts and repair requirements promptly and efficiently. To quickly obtain the name of the Master Parts Depot or Service Center located nearest you, call (800) 888-0985, Fax: (716) 689-5644, visit [www.cmworks.com](http://www.cmworks.com)

**LAS PIEZAS Y REPARACIONES DE LOS POLIPASTOS DE YALE/SHAWBOX ESTÁN ASEGURADAS EN ESTADOS UNIDOS Y CANADÁ**

Como usuario de un polipasto y carro de Yale/Shawbox le aseguramos cualquier reparación o la disponibilidad de cualquier pieza de repuesto a través de una red de almacenes de piezas de repuesto y centros de servicio situados estratégicamente en Estados Unidos y Canadá. Estas instalaciones se han seleccionado en base a su capacidad demostrada en la reparación de equipos y suministro de piezas de repuesto de forma rápida y eficaz. Para obtener la dirección del almacén de piezas de repuesto o del centro de servicio más cercano, llame al teléfono (800) 888-0985. Fax: (716) 689-5644, visite [www.cmworks.com](http://www.cmworks.com) (sólo en Estados Unidos y Canadá).

**LE SERVICE DE RÉPARATION ET DE PIÈCES POUR PALANS YALE/SHAWBOX EST DISPONIBLE AUX ÉTATS-UNIS ET AU CANADA**

Soyez assurés qu'en temps d'utilisateur de palan et treuil Yale/Shawbox, d'un service de réparation et de pièces fiable par l'entremise d'un réseau de Centres de service et de Dépôts de pièces maîtresses qui sont stratégiquement situés aux États-Unis et au Canada. Ces établissements ont été sélectionnés sur une base de leur habileté démontrée à s'occuper promptement et efficacement des besoins de réparation de pièces. Appelez le (800) 888-0985, Fax: (716) 689-5644, visitez [www.cmworks.com](http://www.cmworks.com) pour obtenir rapidement le nom du dépôt de pièces maîtresses ou du centre de service situé le plus près.

## Table of contents YKD/SKD, YKE/SKE

---

### Table of contents

12/2H71-MF hoist motor .....	5
4H71-MF hoist motor .....	7
4HS5-MF hoist motor .....	9
12/2H72-MF hoist motor .....	11
4H72-MF hoist motor .....	13
4HS7-MF hoist motor .....	15
12/2H73 hoist motor .....	17
12/2H73-1PC3052 hoist motor .....	19
4H73-MF hoist motor .....	21
4HS8-MF hoist motor .....	23
4H81-MF hoist motor .....	25
12/2H91-MF hoist motor .....	27
4H82-MF hoist motor .....	29
4HSA-MF hoist motor .....	31
24/4H92 hoist motor .....	33
Intermediate gear .....	35
Gear .....	36
Rope drum .....	38
Rope suspension .....	40
H190-1 bottom hook block .....	42
H200-1 bottom hook block .....	44
T181-2 hook traverse .....	46
H252-2 bottom hook block .....	47
H375-2 bottom hook block .....	49
H227-4 bottom hook block (4PS, max. 12500 kg, 15 US tons) .....	51
H252-4 bottom hook block .....	52
H375-4 bottom hook block .....	54
H377-4 bottom hook block .....	56
H378-4 bottom hook block .....	58
U225-8 bottom hook block .....	59
Terminal box .....	60
KE-S76 trolley .....	61
UE-S77 trolley .....	62
OE-S06 trolley .....	63
OE-S07 trolley .....	64

## General information YKD/SKD, YKE/SKE

---

### General information

The parts lists and illustrations in this section of the manual cover parts for wire rope hoist. A typical hoist is shown as the basis for the exploded parts illustrations; therefore, certain variations may occur from the information given.

For this reason, always correspond with:

1. Hoist Model Number from identification plate.
2. Serial number of the hoist stamped below identification plate.
3. Catalog Number
4. Voltage, phase, hertz from the identification plate.
5. Hoist Capacity
6. Length of lift.
7. Part number of part from parts list.
8. Number of parts required.
9. Part name from parts list.
10. Hoist Serial Number.

Certain parts of your hoist will, in time, require replacement under normal wear conditions. Other items such as gaskets, fasteners, insulators, etc., may be damaged or lost during disassembly. It is suggested that these parts be purchased for your hoist as spares for future use. These parts are listed at the end of this manual.

The numbers assigned to parts of our various assemblies in our Parts List are the part numbers used in manufacturing. Some of these itemized parts are not for individual sale, but must be grouped with other related replacement items.

### WHEN ORDERING PARTS OR INFORMATION ON THIS EQUIPMENT, ALWAYS INCLUDE MODEL AND SERIAL NUMBER ON ORDER.

#### WARNING

Alterations or modifications of equipment and use of non-factory repair parts can lead to dangerous operation and injury.

TO AVOID INJURY:

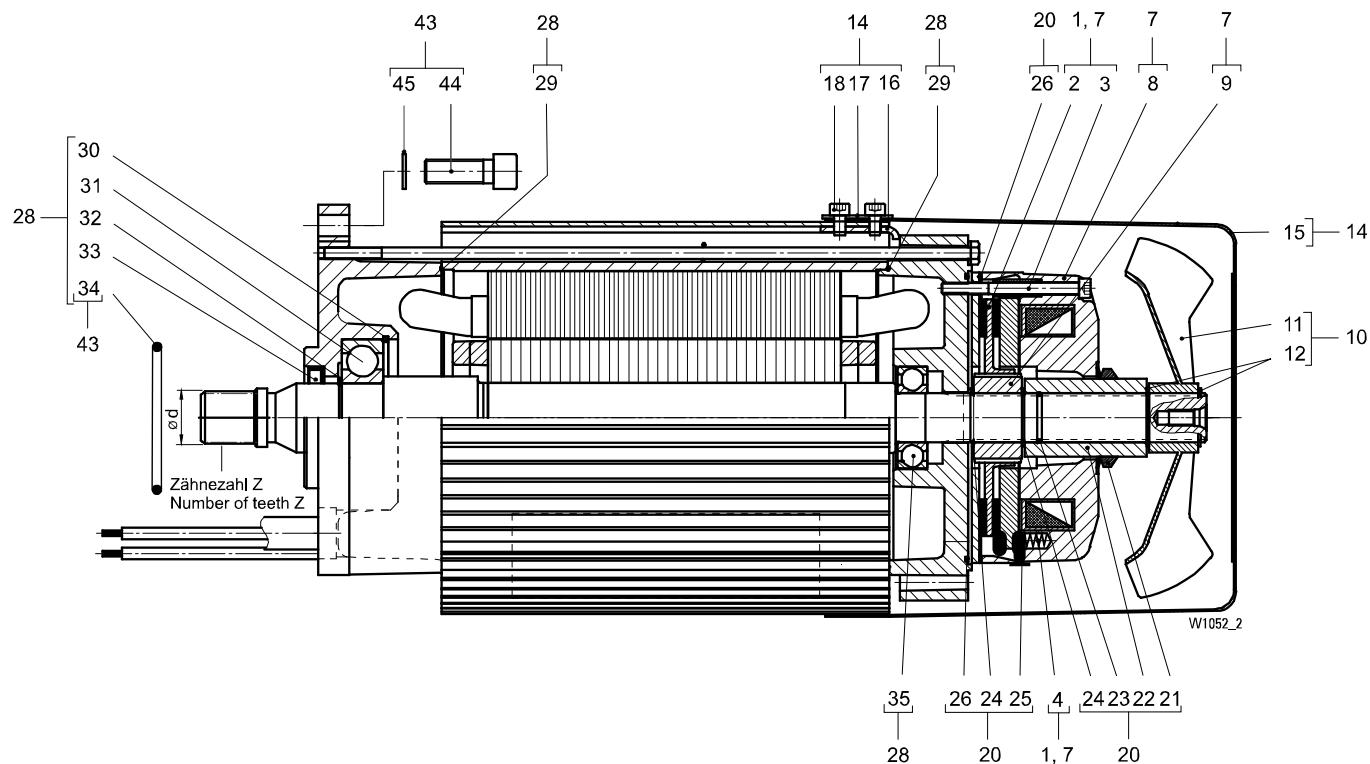
- Do not alter or modify equipment.
  - Do use only factory replacement parts.
- 

**PARTS  
STAR** <sup>TM</sup>  
BY COLUMBUS MCKINNON

Spare parts list  
YKD/SKD, YKE/SKE

Spare parts list  
YKD/SKD, YKE/SKE

12/2H71-MF hoist motor



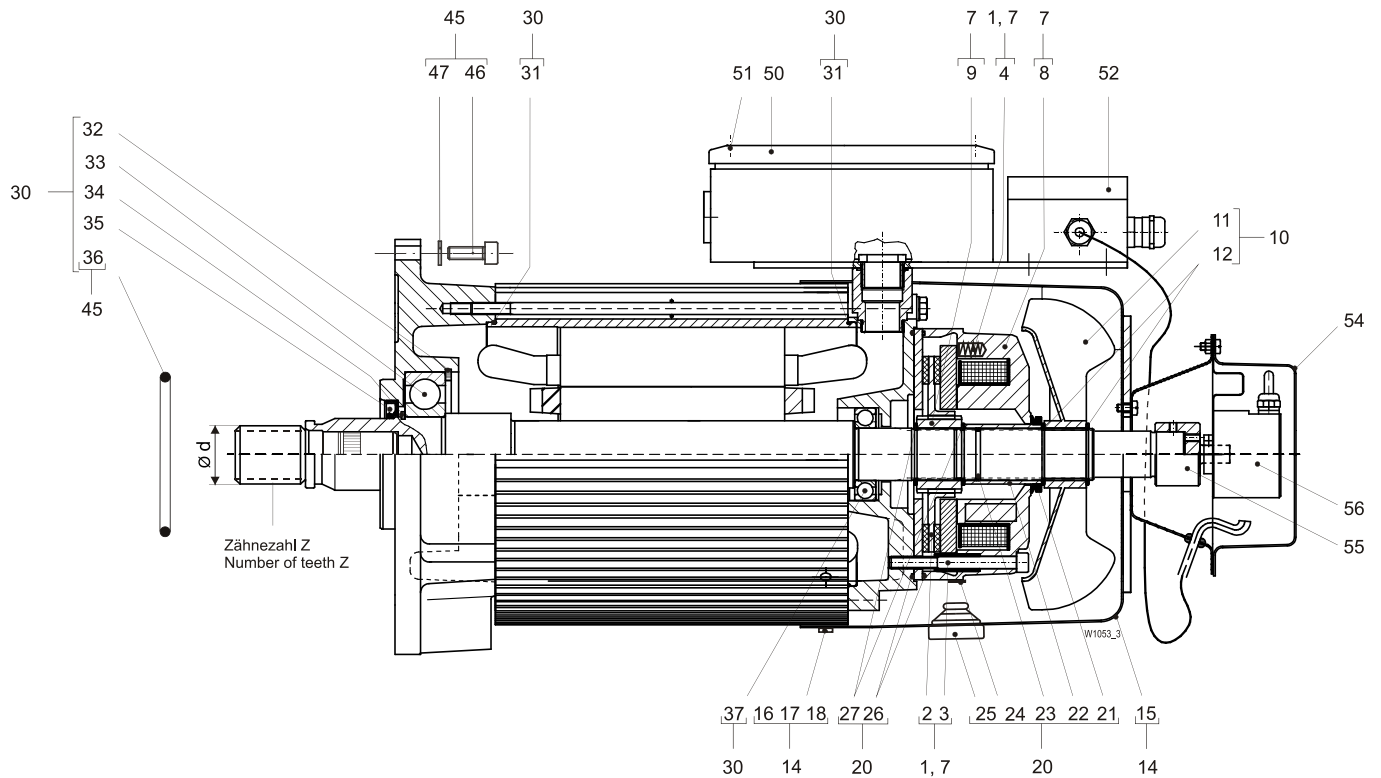
Item	Part no.	Qty.	Description	Specification	Comment
	A70002196	1	Motor	YKD/SKD, YKE/SKE w. drum speed 48, 64 fpm	Pos.43 1), 4)
	A70002205	1	Motor	YKD/SKD, YKE/SKE w. drum speed 32, 80 fpm	Pos.43 1), 4)
1	A2727073650	1	Brake rotor spare part set		Pos.2 – 4
7	A2727030650	1	Brake compl.	100 V / 180 – 460 V, 50 Hz	Pos.1, 8 – 9, 20 2)
7	A2727031650	1	Brake compl.	130 V / 500 – 525 V, 50 Hz	Pos.1, 8 – 9, 20 2)
7	A2727032650	1	Brake compl.	150 V / 575 – 690 V, 50 Hz	Pos.1, 8 – 9, 20 2)
9	A5674850	1	Hub		
10	A2727000650	1	Fan wheel set		Pos.11 – 12
11	.....	1	Fan wheel		
12	.....	2	Retaining ring	35x1.5 DIN 471	
14	A2727001650	1	Fan cover set		Pos.15 – 18
15	.....	1	Fan cover		
17	.....	4	Safety washer	S8	
18	.....	4	Screw	M8x12 DIN 7984-8.8	
20	A2727005650	1	Sealing set brake		Pos.21 – 26
21	.....	1	Sealing ring V-seal		
22	.....	1	Bushing		
23	.....	1	Round sealing ring	31x3	
24	.....	2	Retaining ring	35x1.5 DIN 471	
25	.....	1	Plug		
26	.....	2	Round sealing ring	156x2 NBR70	
28	A2727002650	1	Bearings and sealings		Pos.29 – 35
29	.....	2	Round sealing ring	216x2 NBR70	
30	.....	1	Retaining ring	110x4 DIN 472	
31	.....	1	Bearing	6310-2RS DIN 625	3)
32	.....	1	Retaining ring	50x2 DIN 471	
33	.....	1	Shaft seal	A48x72x8 DIN 3760	3)

el-o.2.6;14-us-8.1-ys | A11869401 Rev.AF



Spare parts list  
YKD/SKD, YKE/SKE

4H71-MF hoist motor



Item	Part no.	Qty.	Description	Specification	Comment
	A70002226	1	Motor	YKD/SKD, YKE/SKE w. drum speed 48, 64 fpm	Pos.45 1), 4)
	A70002289	1	Motor	YKD/SKD, YKE/SKE w. drum speed 40, 80 fpm	Pos.45 1), 4)
1	A2727073650	1	Brake rotor spare part set		Pos.2 – 4
7	A2727028650	1	Brake compl.	180 V / 380 – 415 V, 100 Hz	Pos.1, 8 – 9, 20 2)
7	A2727029650	1	Brake compl.	240 V / 500 – 525 V, 100 Hz	Pos.1, 8 – 9, 20 2)
9	A5674850	1	Hub		
10	A2727000650	1	Fan wheel set		Pos.11 – 12
11	.....	1	Fan wheel		
12	.....	2	Retaining ring	35×1.5 DIN 471	
14	A2727018650	1	Fan cover set		Pos.15 – 18
15	.....	1	Fan cover		
16	.....	4	Screw	M6×10 DIN 7984	
17	.....	4	Safety washer	S6	
18	.....	4	Tread block		
20	A2727005650	1	Sealing set brake		Pos.21 – 27
21	.....	1	Sealing ring V-seal		
22	.....	1	Bushing		
23	.....	1	Round sealing ring	31×3 NBR70	
24	.....	1	Plug		
25	.....	1	Plug		
26	.....	2	Round sealing ring	156×2	
27	.....	2	Retaining ring	35×1.5 DIN 471	
30	A2727002650	1	Bearings and sealings		Pos.31 – 37
31	.....	2	Round sealing ring	165×2 NBR70	
32	.....	1	Retaining ring	110×4 DIN 472	
33	.....	1	Bearing	6310-2RS DIN 625	3)
34	.....	1	Retaining ring	50×2 DIN 471	
35	.....	1	Shaft seal	A48×72×8 DIN 3760	3)
36	.....	1	Round sealing ring	95×2 NB70	

el-o.2.6;14-us-8;1-ys | A11869401 Rev.AF

## Spare parts list YKD/SKD, YKE/SKE

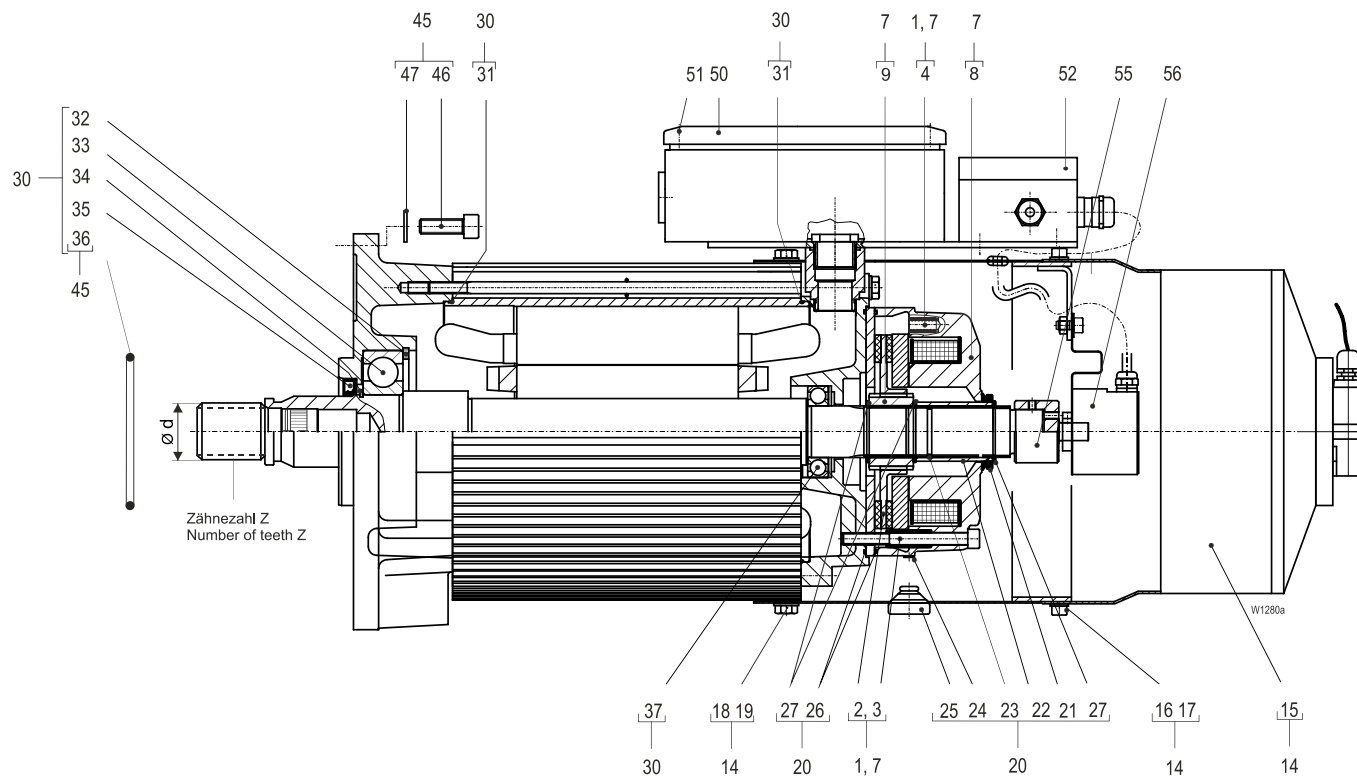
Item	Part no.	Qty.	Description	Specification		Comment
37	.....	1	Bearing	6007-2RS	DIN 625	
45	A2727003650	1	Gear motor screws			Pos.36, 46 – 47
46	.....	4	Screw	M12×35	ISO 4762	
47	.....	4	Safety washer	S12		
50	A2327017650	1	Terminal box cover			Pos.51
51	.....	4	Screw	M6×20	ISO 1207	
52	A5675560	1	Encoder connection set			
54	A5675550	1	Cover encoder			
55	A2727087650	1	Shaft extension set	MF11		
56	A2727083650	1	Encoder set	600 ppr HTL		
56	A2727084650	1	Encoder set	1024 ppr HTL		

- 1) Please state operating voltage, frequency and wire rope hoist type
- 2) Coil voltage / operating voltage motor
- 3) Only replaceable at YKD/SKD, YKE/SKE w. drum speed 48 – 100 fpm, Z≤13, d<1.97 in
- 4) Calculating of drum speed = reeving × hoist speed      e.g. YKB-T05-020S    **2**      **20**    -2-54  
reeving    hoist speed



# Spare parts list YKD/SKD, YKE/SKE

## 4HS5-MF hoist motor



Item	Part no.	Qty.	Description	Specification	Comment
	A70002236	1	Motor	YKD/SKD, YKE/SKE w. drum speed 48, 64 fpm	Pos.45 1), 3)
	A70002410	1	Motor	YKD/SKD, YKE/SKE w. drum speed 80 fpm	Pos.45 1), 3)
1	A2727088650	1	Brake rotor spare part set		Pos.2 – 4, 9, 20
7	A2527003650	1	Brake compl.	170 – 216 V / 400 – 500 V, 50 Hz	Pos.1, 8 – 9, 20 2)
9	.....	1	Hub		
14	A2527006650	1	Forced ventilation		Pos.15 – 19
15	.....	1	Fan cover		
16	.....	4	Screw	M6×10 ISO 4762	
17	.....	4	Safety washer	A6.4 DIN 6797	
18	.....	4	Screw	M6×10 EN 24017	
19	.....	4	Safety washer	A6.4 DIN 6797	
20	A2527005650	1	Sealing set brake		Pos.21 – 27
21	.....	1	Sealing ring V-seal		
22	.....	1	Bushing		
23	.....	1	Round sealing ring	30.4×2.4	
24	.....	1	Plug		
25	.....	1	Plug		
26	.....	2	Round sealing ring	165×2 NBR70	
27	.....	3	Retaining ring	35×1.5 DIN 471	
30	A2527008650	1	Bearings and sealings		Pos.31 – 37
31	.....	2	Round sealing ring	145.2×1.78 NB70	
32	.....	1	Retaining ring	110×4 DIN 472	
33	.....	1	Bearing	6310-2Z/C3/HT	
34	.....	1	Retaining ring	50×2 DIN 471	
35	.....	1	Shaft seal	AS48×72×8 Viton	
36	.....	1	Round sealing ring	95×2 NB70	
37	.....	1	Bearing	6007-2Z/C3/HT	
45	A2527009650	1	Gear motor screws		Pos.36, 46 – 47
46	.....	4	Screw	M12×35 ISO 4762	
47	.....	4	Safety washer	S12	

ol-q.2.6;14-us-8;1-ys | A11869401 Rev.AF

## Spare parts list YKD/SKD, YKE/SKE

Item	Part no.	Qty.	Description	Specification	Comment
50	A2427016650	1	Terminal box cover		Pos.51
51	.....	4	Screw	M6×20 ISO 1207-4.8	
52	A5675560	1	Encoder connection set		
55	A2727087650	1	Shaft extension set	MF11	
56	A70006916	1	Encoder set	600 ppr HTL	
56	A70006925	1	Encoder set	1024 ppr HTL	

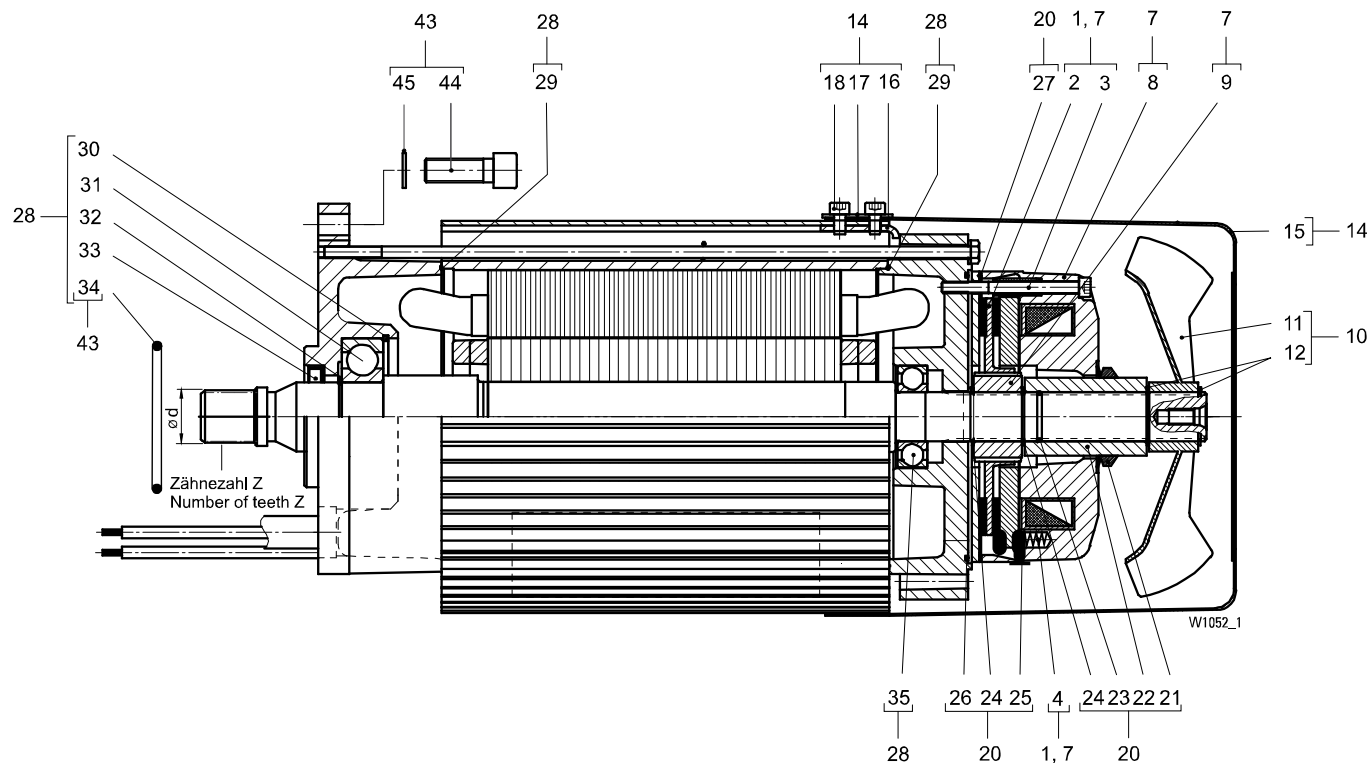
1) Please state operating voltage, frequency and wire rope hoist type

2) Coil voltage / operating voltage motor

3) Calculating of drum speed = reeving × hoist speed      e.g. YKB-T05-020S    **2**      **20**    -2-54  
reeving    hoist speed

# Spare parts list YKD/SKD, YKE/SKE

## 12/2H72-MF hoist motor

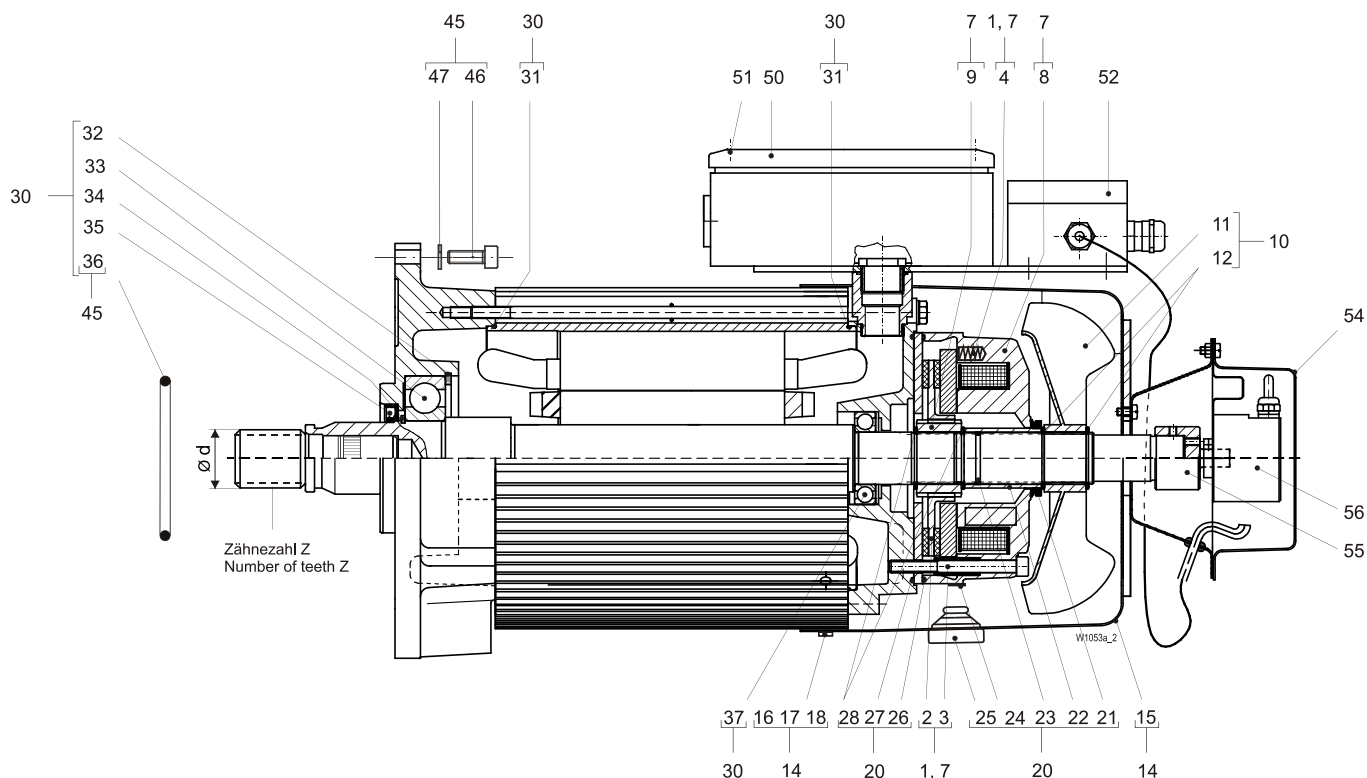


Item	Part no.	Qty.	Description	Specification	Comment
	A70002260	1	Motor	YKD/SKD, YKE/SKE w. drum speed 48, 64 fpm	Pos.43 1), 4)
	A70002261	1	Motor	YKD/SKD, YKE/SKE w. drum speed 40, 80, 100 fpm	Pos.43 1), 4)
1	A2727075650	1	Brake rotor spare part set		Pos.2 – 4, 20
7	A2727035650	1	Brake compl.	100 V / 180 – 460 V, 50 Hz	Pos.1, 8 – 9, 20 2)
7	A2727036650	1	Brake compl.	130 V / 500 – 525 V, 50 Hz	Pos.1, 8 – 9, 20 2)
7	A2727037650	1	Brake compl.	150 V / 575 – 690 V, 50 Hz	Pos.1, 8 – 9, 20 2)
9	A5675510	1	Hub		
10	A2727009650	1	Fan wheel set		Pos.11 – 12
11	.....	1	Fan wheel		
12	.....	2	Retaining ring	35×1.5 DIN 471	
14	A2727010650	1	Fan cover set		Pos.15 – 18
15	.....	1	Fan cover		
17	.....	4	Safety washer	S8	
18	.....	4	Screw	M8×12 DIN 7984-8.8	
20	A2727015650	1	Sealing set brake		Pos.21 – 27
21	.....	1	Sealing ring V-seal		
22	.....	1	Bushing		
23	.....	1	Round sealing ring	31×3	
24	.....	2	Retaining ring	35×1.5 DIN 471	
25	.....	1	Plug		
26	.....	1	Round sealing ring	185×2 NBR70	
27	.....	1	Round sealing ring	156×2 NBR70	
28	A2727011650	1	Bearings and sealings		Pos.29 – 35
29	.....	2	Round sealing ring	216×2 NBR70	
30	.....	1	Retaining ring	110×4 DIN 472	
31	.....	1	Bearing	6310-2RS DIN 625	3)
32	.....	1	Retaining ring	50×2 DIN 471	
33	.....	1	Shaft seal	A48×72×8 DIN 3760	3)
34	.....	1	Round sealing ring	95×2 NB70	



Spare parts list  
YKD/SKD, YKE/SKE

4H72-MF hoist motor



Item	Part no.	Qty.	Description	Specification	Comment
	A70002264	1	Motor	YKD/SKD, YKE/SKE w. drum speed 48, 64 fpm	Pos.45 1), 4)
	A70002305	1	Motor	YKD/SKD, YKE/SKE w. drum speed 40, 80, 100 fpm	Pos.45 1), 4)
	A70002266	1	Motor	YKD/SKD, YKE/SKE w. drum speed 128 fpm	Pos.45 1), 4)
1	A2727074650	1	Brake rotor spare part set		Pos.2 – 4, 20
7	A2727033650	1	Brake compl.	180 V / 380 – 415 V, 100 Hz	Pos.1 ,8 – 9, 20 2)
7	A2727034650	1	Brake compl.	240 V / 500 – 525 V, 100 Hz	Pos.1 ,8 – 9, 20 2)
9	A5674850	1	Hub		
10	A2727009650	1	Fan wheel set		Pos.11 – 12
11	.....	1	Fan wheel		
12	.....	2	Retaining ring	35×1.5 DIN 471	
14	A2727016650	1	Fan cover set		Pos.15 – 18
15	.....	1	Fan cover		
16	.....	4	Screw	M8×12 DIN 7984	
17	.....	4	Safety washer	S8	
18	.....	4	Tread block		
20	A2727015650	1	Sealing set brake		Pos.21 – 28
21	.....	1	Sealing ring V-seal		
22	.....	1	Bushing		
23	.....	1	Round sealing ring	31×3 NBR70	
24	.....	1	Plug		
25	.....	1	Plug		
26	.....	1	Round sealing ring	156×2	
27	.....	1	Round sealing ring	185×2	
28	.....	2	Retaining ring	35×1.5 DIN 471	
30	A2727011650	1	Bearings and sealings		Pos.31 – 37
31	.....	2	Round sealing ring	216×2 NBR70	
32	.....	1	Retaining ring	110×4 DIN 472	
33	.....	1	Bearing	6310-2RS DIN 625	3)

ol-q.2.6;14-us-8;1-ys | A11869401 Rev.AF

## Spare parts list YKD/SKD, YKE/SKE

Item	Part no.	Qty.	Description	Specification		Comment
34	.....	1	Retaining ring	50×2	DIN 471	
35	.....	1	Shaft seal	A48×72×8	DIN 3760	3)
36	.....	1	Round sealing ring	95×2	NB70	
37	.....	1	Bearing	6208-2RS	DIN 625	
45	A2727003650	1	Gear motor screws			Pos.36, 46 – 47
46	.....	4	Screw	M12×35	ISO 4762	
47	.....	4	Safety washer	S12		
50	A2727055650	1	Terminal box cover			Pos.51
51	.....	4	Screw	M8×25	ISO 1207	
52	A5675560	1	Encoder connection set			
54	A5675550	1	Cover encoder			
55	A2727087650	1	Shaft extension set	MF13		
56	A2727083650	1	Encoder set	600 ppr HTL		
56	A2727084650	1	Encoder set	1024 ppr HTL		

1) Please state operating voltage, frequency and wire rope hoist type

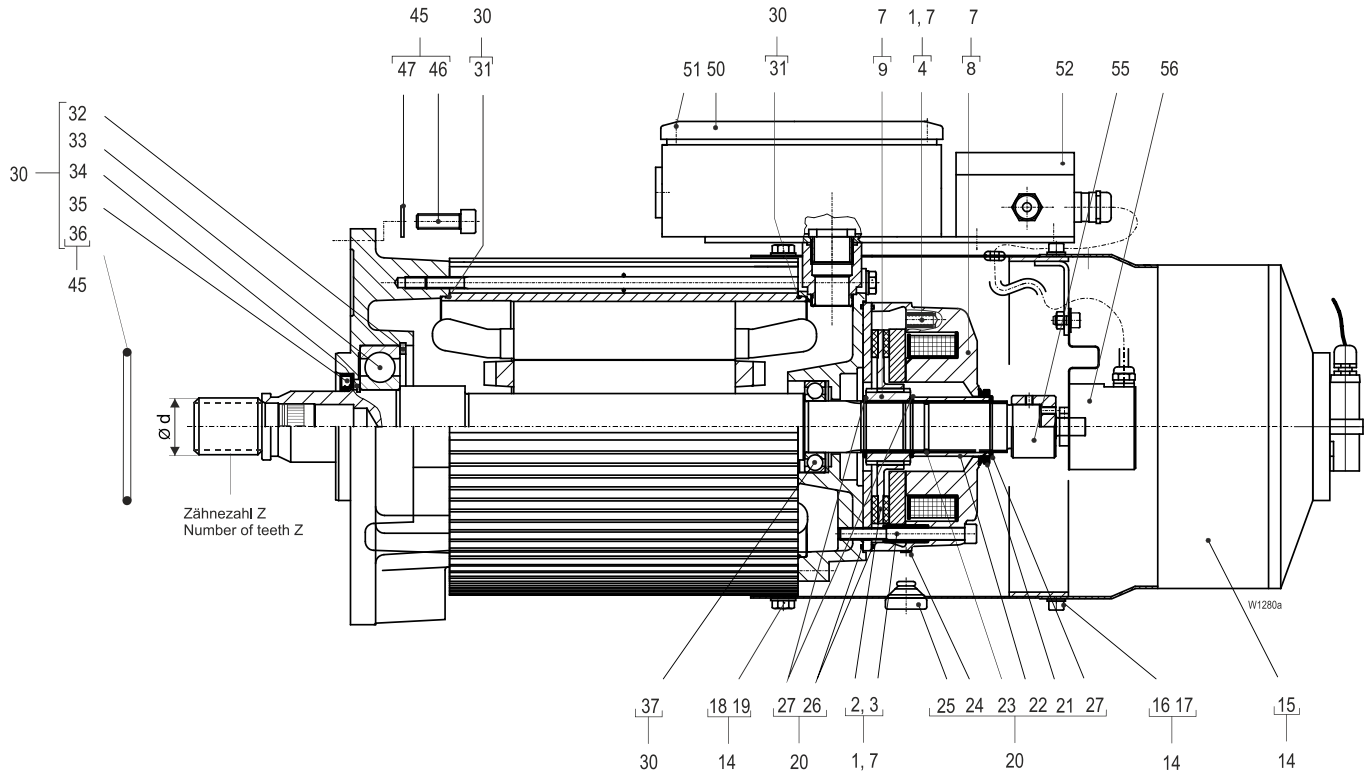
2) Coil voltage / operating voltage motor

3) Only replaceable at YKD/SKD, YKE/SKE w. drum speed 48 – 100 fpm, Z≤13, d<1.97 in

4) Calculating of drum speed = reeving × hoist speed      e.g. YKB-T05-020S    **2**      **20**    -2-54  
reeving      hoist speed

Spare parts list  
YKD/SKD, YKE/SKE

4HS7-MF hoist motor



Item	Part no.	Qty.	Description	Specification	Comment
	A70002278	1	Motor	YKD/SKD, YKE/SKE w. drum speed 48, 51 fpm	Pos.45 1), 3)
	A70002282	1	Motor	YKD/SKD, YKE/SKE w. drum speed 80, 100, 160 fpm	Pos.45 1), 3)
1	A2727090650	1	Brake rotor spare part set		Pos.2 – 4, 9, 20
7	A2627004650	1	Brake compl.	170 – 216 V / 400 – 500 V, 50 Hz	Pos.1, 8 – 9, 20
9	.....	1	Hub		
14	A2627007650	1	Forced ventilation		Pos.15 – 19
15	.....	1	Fan cover		
16	.....	4	Screw	M6×10 ISO 4762	
17	.....	4	Safety washer	A6.4 DIN 6797	
18	.....	4	Screw	M8×12 EN 24017	
19	.....	4	Safety washer	S8	
20	A2627006650	1	Sealing set brake		Pos.21 – 27
21	.....	1	Sealing ring V-seal		
22	.....	1	Bushing		
23	.....	1	Round sealing ring	31×3	
24	.....	1	Plug		
25	.....	1	Plug		
26	.....	2	Round sealing ring	216×2 NBR70	
27	.....	3	Retaining ring	35×1.5 DIN 471	
30	A2627009650	1	Bearings and sealings		Pos.31 – 37
31	.....	2	Round sealing ring	216×2 NB70	
32	.....	1	Retaining ring	110×4 DIN 472	
33	.....	1	Bearing	6310-2Z/C3/HT	
34	.....	1	Retaining ring	50×2 DIN 471	
35	.....	1	Shaft seal	AS48×72×8 Viton	
36	.....	1	Round sealing ring	95×2 NB70	
37	.....	1	Bearing	6208-2Z/C3/HT	
45	A2527009650	1	Gear motor screws		Pos.36, 46 – 47
46	.....	4	Screw	M12×35 ISO 4762	

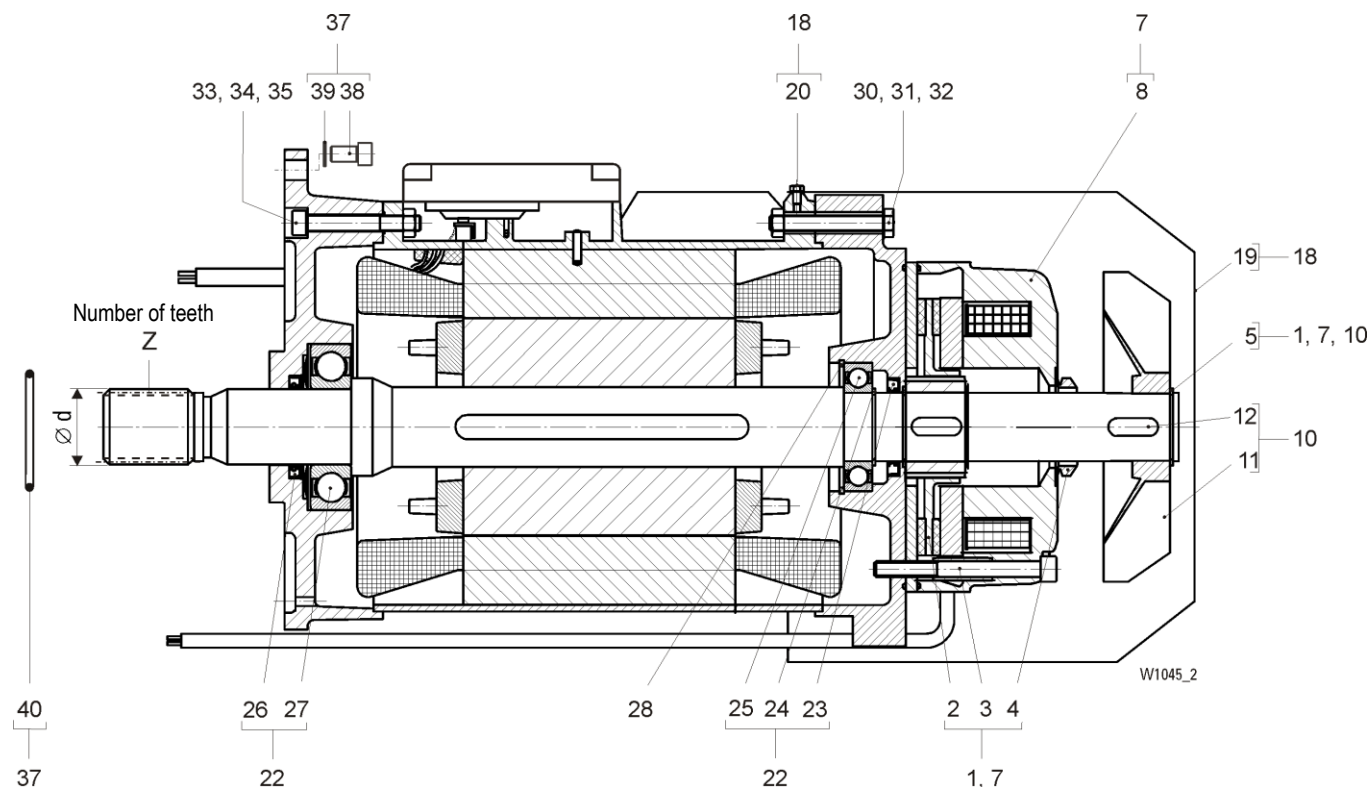
ol-q.2.6;14-us-8;1-ys | A11869401 Rev.AF





# Spare parts list YKD/SKD, YKE/SKE

## 12/2H73 hoist motor

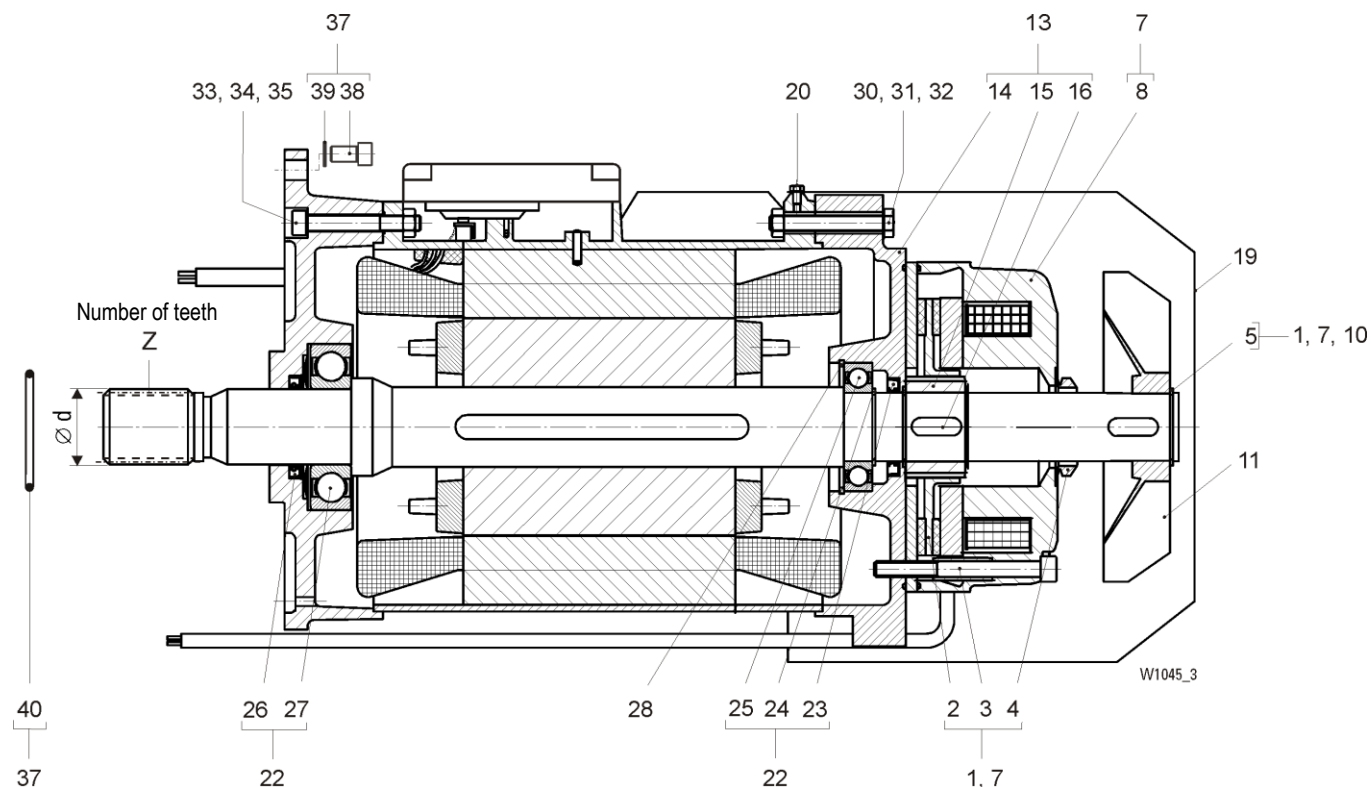


Item	Part no.	Qty.	Description	Specification	Comment
	A70002424	1	Motor	YKD/SKD, YKE/SKE w. drum speed 64, 80, 100 fpm	Pos.37 1), 4)
	A70002428	1	Motor	YKD/SKD, YKE/SKE w. drum speed 128, 160 fpm	Pos.37 1), 4)
	A70002430	1	Motor	YKD/SKD, YKE/SKE w. drum speed 200 fpm	Pos.37 1), 4)
1	A0443075650	1	Brake rotor spare part set		Pos.2 – 5
7	A0443076650	1	Brake spare part set	104 – 120 V / 200 – 460 V, 50 Hz	Pos.1, 8 2)
7	A0443077650	1	Brake spare part set	130 – 150 V / 480 – 525 V, 50 Hz	Pos.1, 8 2)
7	A0443078650	1	Brake spare part set	156 – 180 V / 575 – 720 V, 50 Hz	Pos.1, 8 2)
8	.....	1	Brake		
10	A0443074650	1	Fan wheel set		Pos.5, 11 – 12
11	.....	1	Fan wheel		
12	.....	1	Feather key	A12×10×33 DIN 6885	
18	A0443065650	1	Fan cover set		Pos.19 – 20
19	.....	1	Fan cover		
20	.....	4	Screw	M5×10 ISO 4075-4.8	
22	A0443066650	1	Bearings and sealings		Pos.4, 23 – 27
23	.....	1	Shaft seal	A45×65×8 DIN 3760	
24	.....	1	Retaining ring	45×1.75 DIN 471	
25	.....	1	Bearing	6209-2ZJC3 DIN 625	
26	.....	1	Bearing	6310-2ZJC3 DIN 625	3)
27	.....	1	Shaft seal	A50×68×8 DIN 3760	3)
28	A5061090	1	Retaining ring	85×3 DIN 472	
30	A5008290	4	Bearing	M10×120 ISO 4014	
31	A5672410	4	Spring washer	10	
32	A5069840	4	Nut	M10 ISO 4032-8	
33	A5004370	4	Screw	M10×80 ISO 4762-8.8	
34	A5672410	4	Spring washer	10	
35	A5069840	4	Nut	M10 ISO 4032-8	
37	A2727003650	1	Screw spare part set		Pos.38 – 40



Spare parts list  
YKD/SKD, YKE/SKE

12/2H73-1PC3052 hoist motor

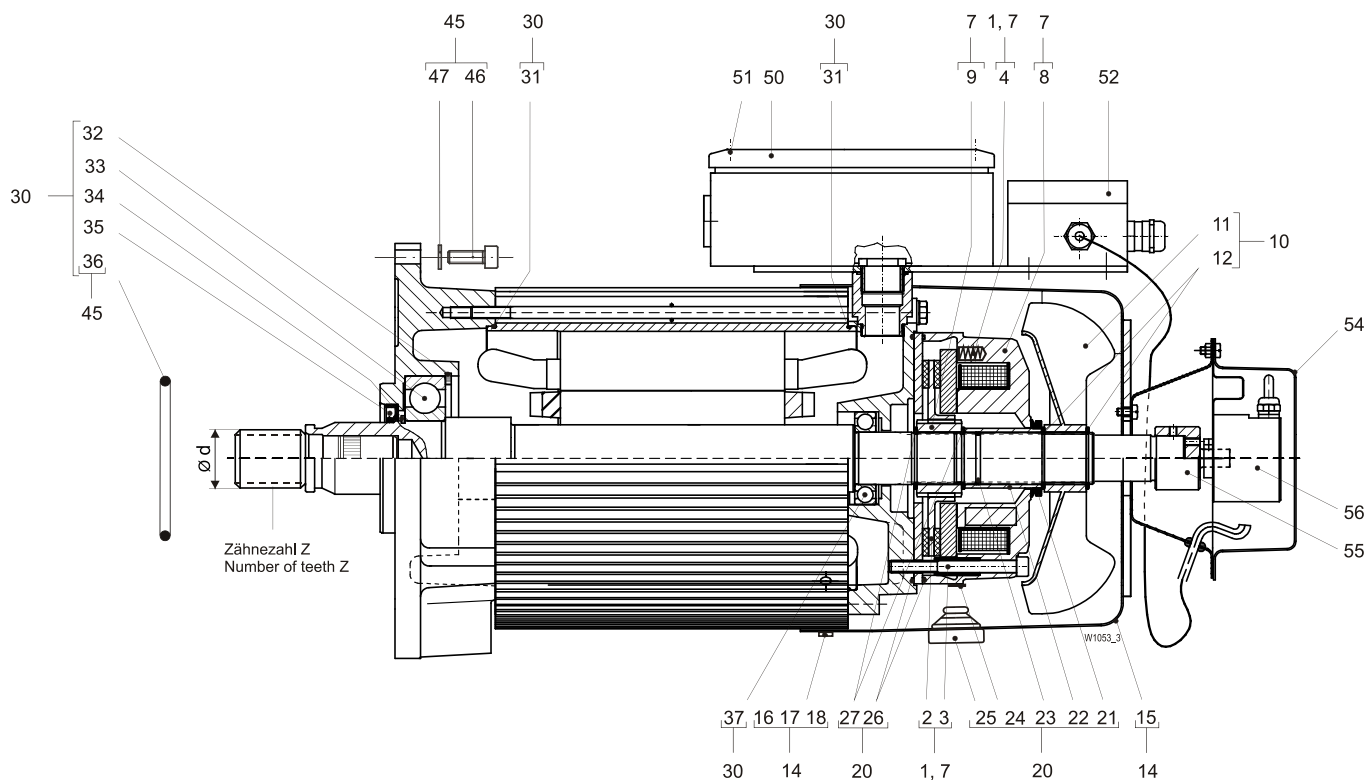


Item	Part no.	Qty.	Description	Specification	Comment
	A70016034	1	Motor	YKD/SKD, YKE/SKE w. drum speed 64, 80, 100 fpm	Pos.37 1), 4)
	A70016035	1	Motor	YKD/SKD, YKE/SKE w. drum speed 128, 160 fpm	Pos.37 1), 4)
1	A70017594	1	Brake rotor spare part set		Pos.2 – 5
7	A70017595	1	Brake spare part set	104 – 120 V / 200 – 460 V, 50 Hz	Pos.1, 8 2)
7	A70017600	1	Brake spare part set	130 – 150 V / 480 – 525 V, 50 Hz	Pos.1, 8 2)
7	A70017602	1	Brake spare part set	156 – 180 V / 575 – 720 V, 50 Hz	Pos.1, 8 2)
8	.....	1	Brake		
11	A70016077	1	Fan wheel		
13	A70016078	1	Motor cover spare part set		Pos.14 – 16
14	.....	1	Motor cover		
15	.....	1	Hub		
16	.....	1	Feather key	B14×9×35 DIN 6885	
19	A70016079	1	Fan cover		
20	.....	4	Screw		
22	A70016080	1	Bearings and sealings		Pos.4, 23 – 27
23	.....	1	Shaft seal	A45×85×19 DIN 3760	
24	.....	1	Retaining ring	45×1.75 DIN 471	
25	.....	1	Bearing	6209-2Z J/C3-PRE DIN 625	
26	.....	1	Bearing	6310-2Z J/C3-PRE DIN 625	3)
27	.....	1	Shaft seal	A50×68×8 DIN 3760	3)
28	.....	1	Retaining ring	85×3 DIN 472	
30	.....	4	Bearing	M8×50 EN 24017-8.8	
31	.....	4	Spring washer	8	
32	.....	4	Nut	M8 DIN 6923	
33	.....	4	Screw	M8×80 ISO 4762-8.8	
34	.....	4	Spring washer	8	
35	.....	4	Nut	M8 DIN 6923	
37	A2727003650	1	Screw spare part set		Pos.38 – 40



Spare parts list  
YKD/SKD, YKE/SKE

4H73-MF hoist motor



Item	Part no.	Qty.	Description	Specification	Comment
	A70002309	1	Motor	YKD/SKD, YKE/SKE w. drum speed 64, 80, 100 fpm	Pos.45 1), 4)
	A70002311	1	Motor	YKD/SKD, YKE/SKE w. drum speed 128, 160 fpm	Pos.45 1), 4)
	A70002313	1	Motor	YKD/SKD, YKE/SKE w. drum speed 200, 248 fpm	Pos.45 1), 4)
1	A2727076650	1	Brake rotor spare part set		Pos.2 – 4, 20
7	A2727038650	1	Brake compl.	180 V / 380 – 415 V, 100 Hz	Pos.1, 8 – 9, 20 2)
7	A2727039650	1	Brake compl.	240 V / 500 – 525 V, 100 Hz	Pos.1, 8 – 9, 20 2)
9	A5675510	1	Hub		
10	A2727009650	1	Fan wheel set		Pos.11 – 12
11	.....	1	Fan wheel		
12	.....	2	Retaining ring	35×1.5 DIN 471	
14	A2727016650	1	Fan cover set		Pos.15 – 18
15	.....	1	Fan cover		
16	.....	4	Screw	M8×12 DIN 7984	
17	.....	4	Safety washer	S8	
18	.....	4	Tread block		
20	A2727015650	1	Sealing set brake		Pos.21 – 27
21	.....	1	Sealing ring V-seal		
22	.....	1	Bushing		
23	.....	1	Round sealing ring	31×3 NBR70	
24	.....	1	Plug		
25	.....	1	Plug		
26	.....	1	Round sealing ring	185×2	
27	.....	2	Retaining ring	35×1.5	
30	A2727011650	1	Bearings and sealings		Pos.31 – 37
31	.....	2	Round sealing ring	216×2 NBR70	
32	.....	1	Retaining ring	110×4 DIN 472	
33	.....	1	Bearing	6310-2RS DIN 625	3)
34	.....	1	Retaining ring	50×2 DIN 471	

ol-q.2.6;14-us-8;1-ys | A11869401 Rev.AF

## Spare parts list YKD/SKD, YKE/SKE

Item	Part no.	Qty.	Description	Specification		Comment
35	.....	1	Shaft seal	A48×72×8	DIN 3760	3)
36	.....	1	Round sealing ring	95×2	NB70	
37	.....	1	Bearing	6208-2RS	DIN 625	
45	A2727003650	1	Gear motor screws			Pos.36, 46 – 47
46	.....	4	Screw	M12×35	ISO 4762	
47	.....	4	Safety washer	S12		
50	A2727055650	1	Terminal box cover			Pos.51
51	.....	4	Screw	M8×25	ISO 1207	
52	A5675560	1	Encoder connection set			
54	A5675550	1	Cover encoder			
55	A2727087650	1	Shaft extension set	MF13		
56	A2727083650	1	Encoder set	600 ppr HTL		
56	A2727084650	1	Encoder set	1024 ppr HTL		

1) Please state operating voltage, frequency and wire rope hoist type

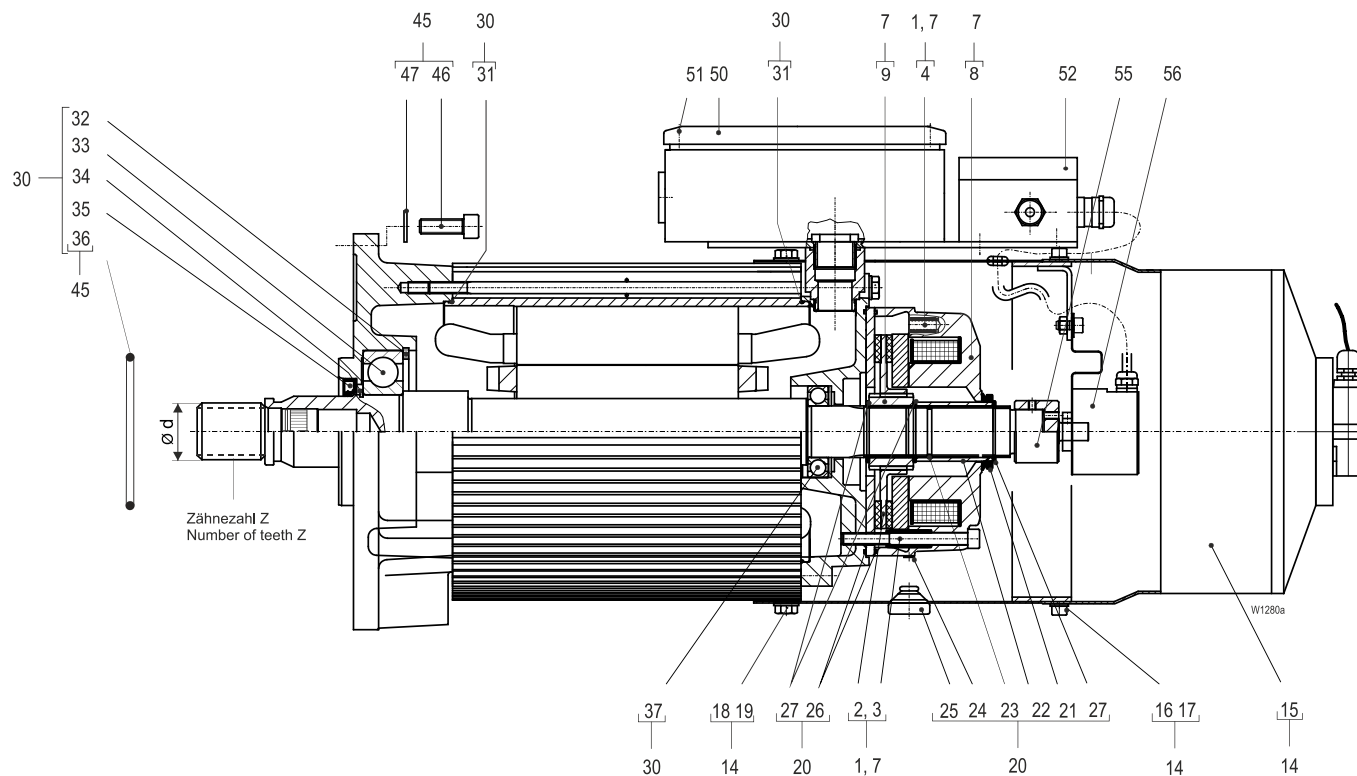
2) Coil voltage / operating voltage motor

3) Only replaceable at YKD/SKD, YKE/SKE w. drum speed 48 - 100 fpm, Z≤13, d<1.97 in

4) Calculating of drum speed = reeving × hoist speed      e.g. YKB-T05-020S    2      20      -2-54  
reeving      hoist speed

# Spare parts list YKD/SKD, YKE/SKE

## 4HS8-MF hoist motor



Item	Part no.	Qty.	Description	Specification	Comment
	A70002413	1	Motor	YKD/SKD, YKE/SKE w. drum speed 80, 100 fpm	Pos.45 1), 3)
	A70002416	1	Motor	YKD/SKD, YKE/SKE w. drum speed 128, 160 fpm	Pos.45 1), 3)
1	A2727091650	1	Brake rotor spare part set		Pos.2 – 4, 9, 20
7	A2727058650	1	Brake compl.	170 – 216 V / 400 – 500 V, 50 Hz	Pos.1, 8 – 9, 20
9	.....	1	Hub		
14	A2627007650	1	Forced ventilation		Pos.15 – 19
15	.....	1	Fan cover		
16	.....	4	Screw	M6×10 ISO 4762	
17	.....	4	Safety washer	A6.4 DIN 6797	
18	.....	4	Screw	M8×12 EN 24017	
19	.....	4	Safety washer	S8	
20	A2627006650	1	Sealing set brake		Pos.21 – 27
21	.....	1	Sealing ring V-seal		
22	.....	1	Bushing		
23	.....	1	Round sealing ring	31×3	
24	.....	1	Plug		
25	.....	1	Plug		
26	.....	2	Round sealing ring	216×2 NBR70	
27	.....	3	Retaining ring	35×1.5 DIN 471	
30	A2627009650	1	Bearings and sealings		Pos.31 – 37
31	.....	2	Round sealing ring	216×2 NB70	
32	.....	1	Retaining ring	110×4 DIN 472	
33	.....	1	Bearing	6310-2Z/C3/HT	
34	.....	1	Retaining ring	50×2 DIN 471	
35	.....	1	Shaft seal	AS48×72×8 Viton	
36	.....	1	Round sealing ring	95×2 NB70	
37	.....	1	Bearing	6208-2Z/C3/HT	
45	A2527009650	1	Gear motor screws		Pos.36, 46 – 47
46	.....	4	Screw	M12×35 ISO 4762	
47	.....	4	Safety washer	S12	

ol-q.2.6;14-us-8;1-ys | A11869401 Rev.AF

## Spare parts list YKD/SKD, YKE/SKE

Item	Part no.	Qty.	Description	Specification	Comment
50	A2627011650	1	Terminal box cover		Pos.51
51	.....	4	Screw	M6×20 ISO 1207-4.8	
52	A5675560	1	Encoder connection set		
55	A2727087650	1	Shaft extension set	MF13	
56	A70006916	1	Encoder set	600 ppr HTL	
56	A70006925	1	Encoder set	1024 ppr HTL	

1) Please state operating voltage, frequency and wire rope hoist type

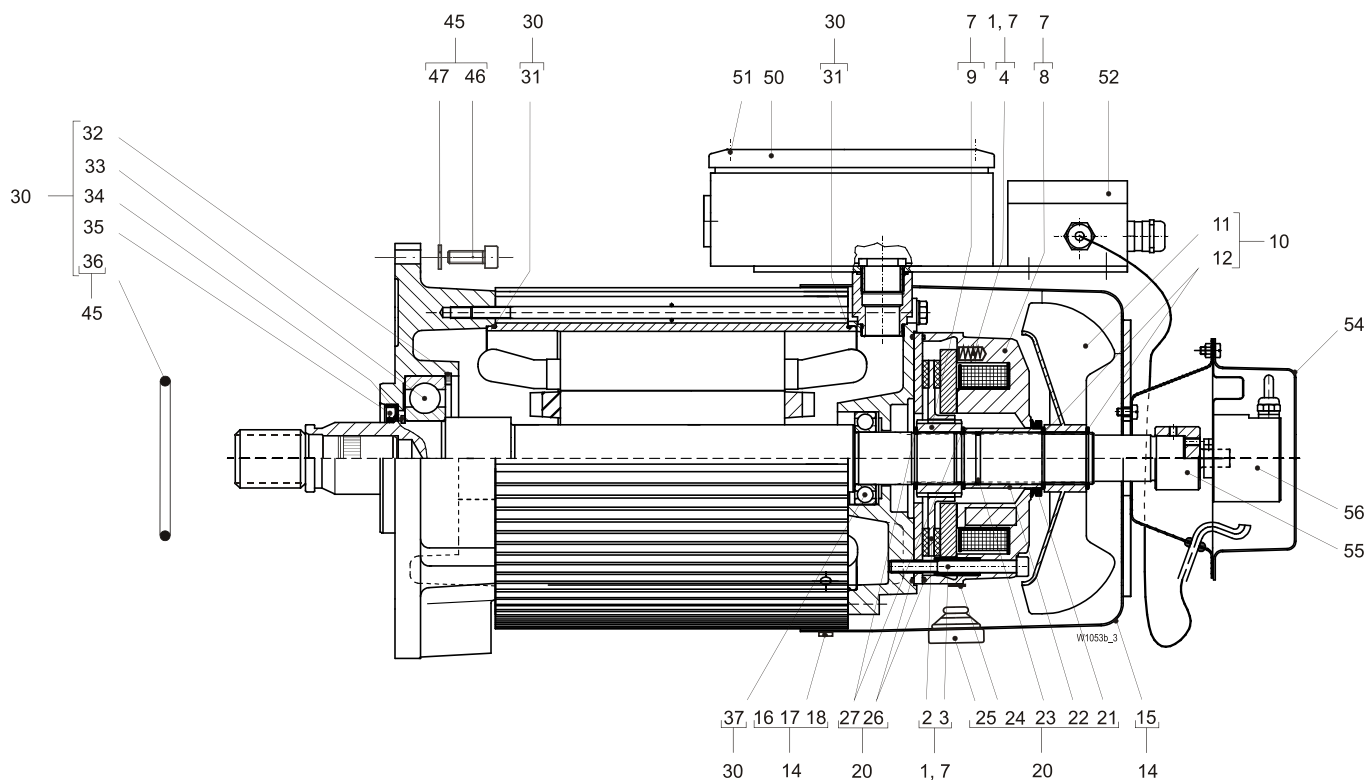
2) Coil voltage / operating voltage motor

3) Calculating of drum speed = reeving × hoist speed      e.g. YKB-T05-020S    **2**      **20**    -2-54  
reeving      hoist speed



Spare parts list  
YKD/SKD, YKE/SKE

4H81-MF hoist motor



Item	Part no.	Qty.	Description	Specification	Comment
	A70002316	1	Motor	YKD/SKD, YKE/SKE w. drum speed 80, 100 fpm	Pos.45 1), 3)
	A70002318	1	Motor	YKD/SKD, YKE/SKE w. drum speed 128, 160 fpm	Pos.45 1), 3)
	A70002332	1	Motor	YKD/SKD, YKE/SKE w. drum speed 200, 248 fpm	Pos.45 1), 3)
1	A2727076650	1	Brake rotor spare part set		Pos.2 – 4, 20
7	A2727038650	1	Brake compl.	180 V / 380 – 415 V, 100 Hz	Pos.1 ,8 – 9, 20 2)
7	A2727039650	1	Brake compl.	240 V / 500 – 525 V, 100 Hz	Pos.1 ,8 – 9, 20 2)
9	A5675510	1	Hub		
10	A2727009650	1	Fan wheel set		Pos.11 – 12
11	.....	1	Fan wheel		
12	.....	2	Retaining ring	35×1.5 DIN 471	
14	A2727016650	1	Fan cover set		Pos.15 – 18
15	.....	1	Fan cover		
16	.....	4	Screw	M8×12 DIN 7984	
17	.....	4	Safety washer	S8	
18	.....	4	Tread block		
20	A2727017650	1	Sealing set brake		Pos.21 – 27
21	.....	1	Sealing ring V-seal		
22	.....	1	Bushing		
23	.....	1	Round sealing ring	31×3 NBR70	
24	.....	1	Plug		
25	.....	1	Plug		
26	.....	1	Round sealing ring	205×2	
27	.....	2	Retaining ring	35×1.5	
30	A2727011650	1	Bearings and sealings		Pos.31 – 37
31	.....	2	Round sealing ring	216×2 NBR70	
32	.....	1	Retaining ring	110×4 DIN 472	
33	.....	1	Bearing	6310-2RS DIN 625	
34	.....	1	Retaining ring	50×2 DIN 471	
35	.....	1	Shaft seal	A48×72×8 DIN 3760	

cl-o.2.6;14-us-8.1-ys | A11869401 Rev.AF

## Spare parts list YKD/SKD, YKE/SKE

Item	Part no.	Qty.	Description	Specification	Comment
36	.....	1	Round sealing ring	95×2 NB70	
37	.....	1	Bearing	6208-2RS DIN 625	
45	A2727003650	1	Gear motor screws		Pos.36, 46 – 47
46	.....	4	Screw	M12×35 ISO 4762	
47	.....	4	Safety washer	S12	
50	A2727055650	1	Terminal box cover		Pos.51
51	.....	4	Screw	M8×25 ISO 1207	
52	A5675560	1	Encoder connection set		
54	A5675550	1	Cover encoder		
55	A2727087650	1	Shaft extension set	MF13	
56	A2727083650	1	Encoder set	600 ppr HTL	
56	A2727084650	1	Encoder set	1024 ppr HTL	

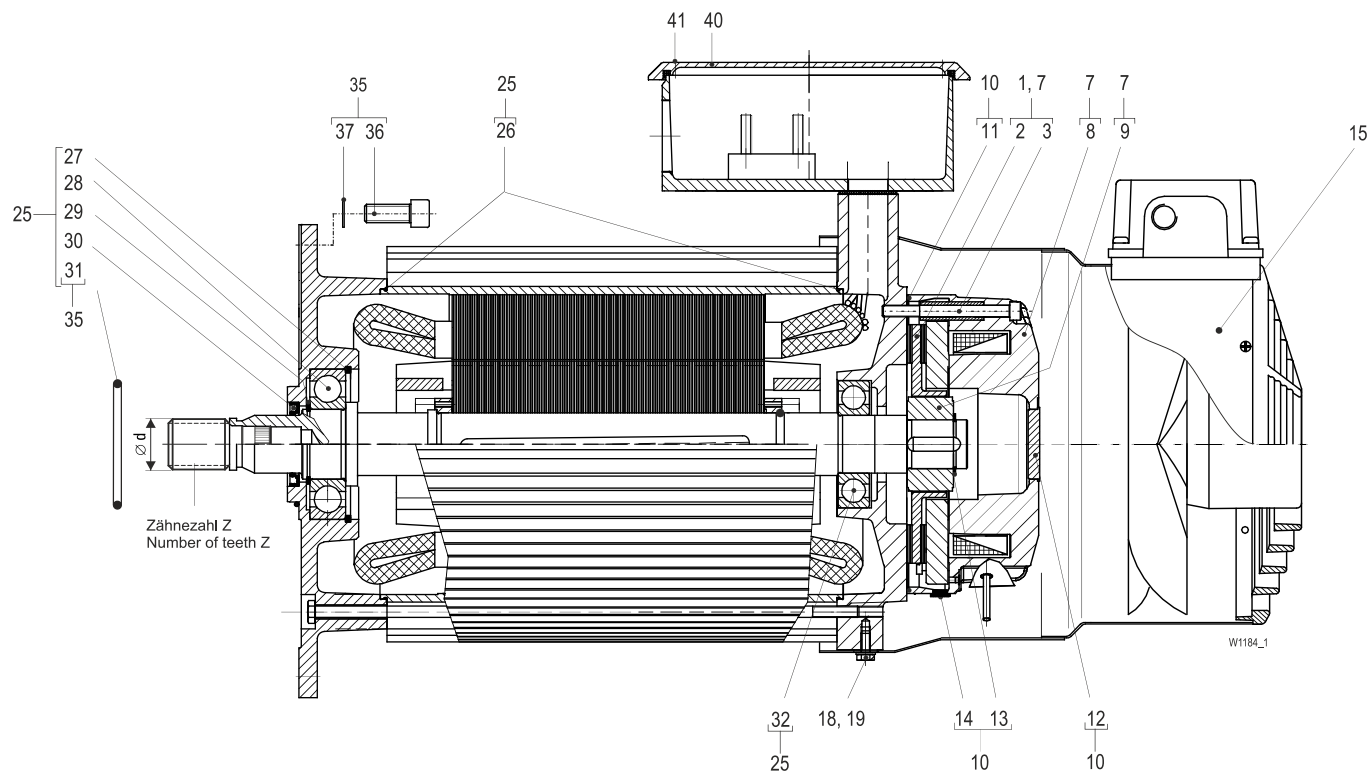
1) Please state operating voltage, frequency and wire rope hoist type

2) Coil voltage / operating voltage motor

3) Calculating of drum speed = reeving × hoist speed      e.g. YKB-T05-020S    **2**      **20**    -2-54  
reeving    hoist speed

Spare parts list  
YKD/SKD, YKE/SKE

12/2H91-MF hoist motor



Item	Part no.	Qty.	Description	Specification	Comment
	A70002435	1	Motor	YKE/SKE w. drum speed 100 fpm	Pos.35 1),2),5)
	A70002438	1	Motor	YKE/SKE w. drum speed 128, 160 fpm	Pos.35 1),2),5)
	A70002442	1	Motor	YKE/SKE w. drum speed 200, 248 fpm	Pos.35 1),2),5)
1	A2927011650	1	Brake rotor spare part set		Pos.2 – 3, 10
7	A70022781	1	Brake compl.	100 V / 190 – 440 V, 50 Hz	Pos.1, 8 – 10 3)
7	A70020720	1	Brake compl.	130 V / 500 V, 50 Hz	Pos.1, 8 – 10 3)
8	.....	1	Brake		
9	A5675920	1	Hub		
10	A2927002650	1	Sealing set brake		Pos.11 – 14
11	.....	1	Round sealing ring	246×2 NB70	
12	.....	1	Plug		
13	.....	1	Retaining ring	42×1.75 DIN 471	
14	.....	1	Plug		
15	A5760570	1	Forced ventilation		
18	A5068390	4	Safety washer	S8	
19	A5011020	4	Screw	M8×16 EN 24017-8.8	
25	A2927000650	1	Bearings and sealings		Pos.26 – 32
26	.....	2	Round sealing ring	262×2 NB70	
27	.....	1	Retaining ring	130×4 DIN 472	
28	.....	1	Bearing	6312-2RS DIN 625	4)
29	.....	1	Retaining ring	60×2 DIN 471	
30	.....	1	Shaft seal	50×72×8 DIN 3760	4)
31	.....	1	Round sealing ring	95×2 NB70	
32	.....	1	Bearing	6310-2RS DIN 625	
35	A2927001650	1	Gear motor screws		Pos.36 – 37
36	.....	8	Screw	M12×45 ISO 4762-8.8	
36	.....	8	Screw	M16×40 ISO 4762-8.8	
37	.....	8	Safety washer	S12	
37	.....	8	Safety washer	S16	
40	A2927004650	1	Terminal box cover		Pos.41

cl-o.2.6;14-us-8.1-ys | A11869401 Rev.AF

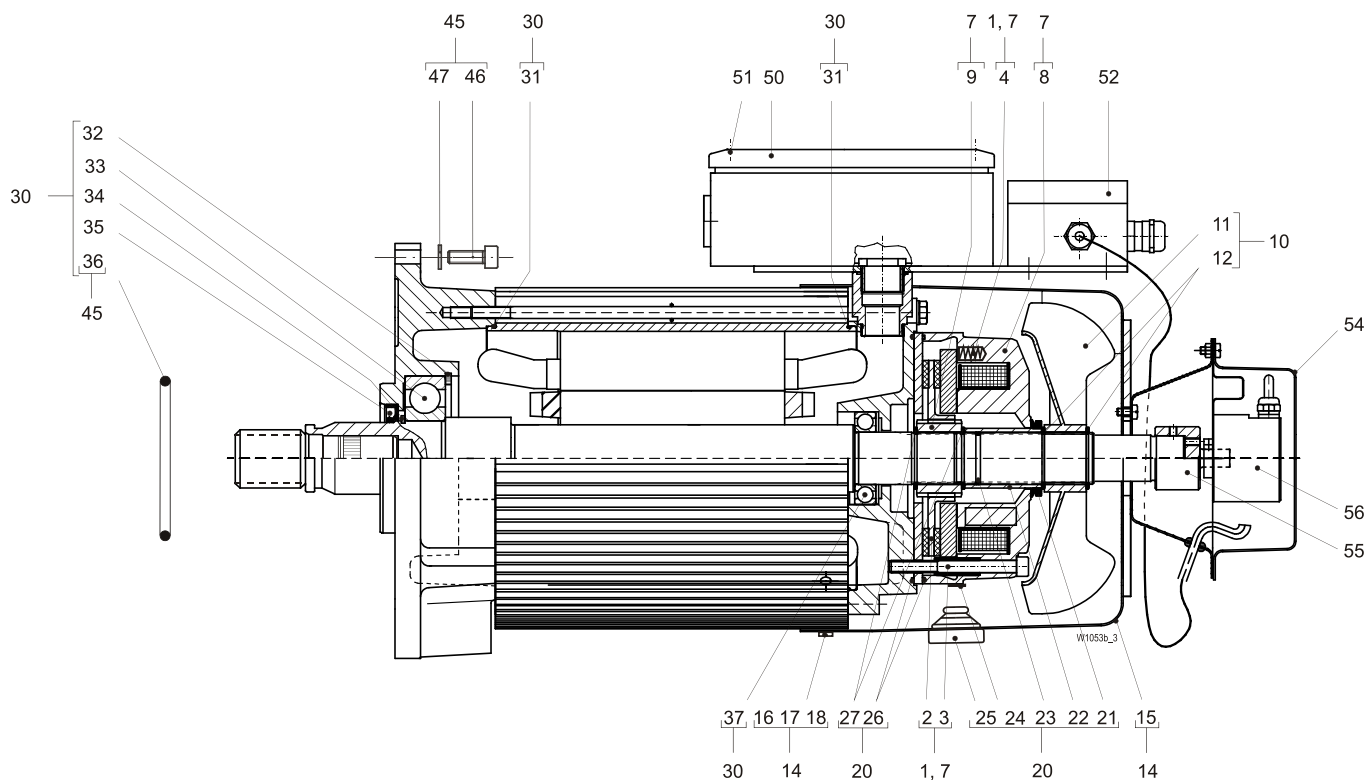
## Spare parts list YKD/SKD, YKE/SKE

Item	Part no.	Qty.	Description	Specification	Comment
41	.....	3	Screw	M8×30	EN 24014

- 1) Please state operating voltage, frequency and wire rope hoist type
- 2) Please state „forced ventilation“ when ordering
- 3) Coil voltage / operating voltage motor
- 4) Only replaceable at YKD/SKD, YKE/SKE w. drum speed 100 fpm,  $Z \leq 13$ ,  $d < 1.46$  in
- 5) Calculating of drum speed = reeving  $\times$  hoist speed  
 e.g. YKB-T05-020S      **2**      **20**      -2-54  
                                          reeving    hoist speed

# Spare parts list YKD/SKD, YKE/SKE

## 4H82-MF hoist motor

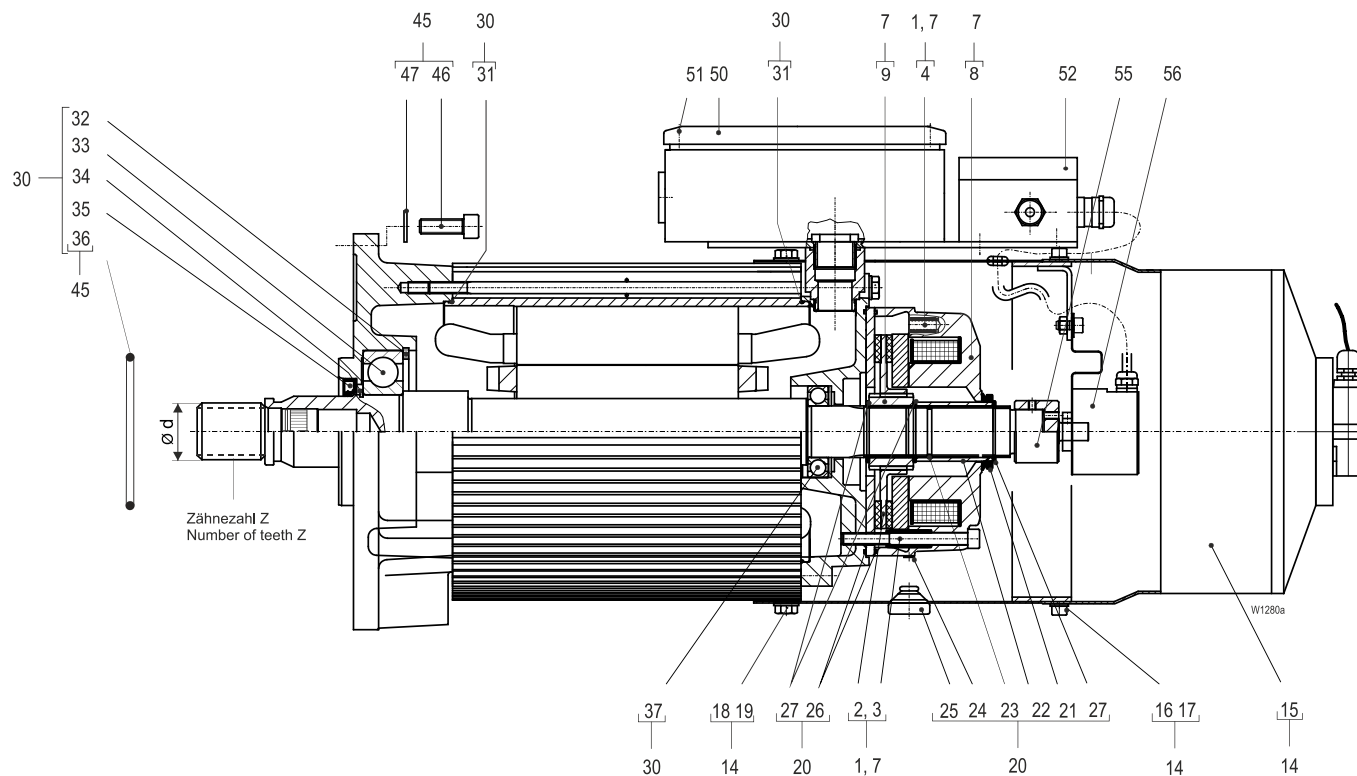


Item	Part no.	Qty.	Description	Specification	Comment
	A70002337	1	Motor	YKD/SKD, YKE/SKE w. drum speed 100 fpm	Pos.45 1), 3)
	A70002351	1	Motor	YKD/SKD, YKE/SKE w. drum speed 128, 160 fpm	Pos.45 1), 3)
	A70002395	1	Motor	YKD/SKD, YKE/SKE w. drum speed 200, 248 fpm	Pos.45 1), 3)
1	A2727077650	1	Brake rotor spare part set		Pos.2 – 4, 20
7	A2727040650	1	Brake compl.	180 V / 380 – 415 V, 100 Hz	Pos.1, 8 – 9, 20 2)
7	A2727041650	1	Brake compl.	240 V / 500 – 525 V, 100 Hz	Pos.1, 8 – 9, 20 2)
7	A2727054650	1	Brake compl.	290 V / 660 – 690 V, 100 Hz	Pos.1, 8 – 9, 20 2)
9	A5675720	1	Hub		
10	A2727009650	1	Fan wheel set		Pos.11 – 12
11	.....	1	Fan wheel		
12	.....	2	Retaining ring	35×1.5 DIN 471	
14	A2727016650	1	Fan cover set		Pos.15 – 18
15	.....	1	Fan cover		
16	.....	4	Screw	M8×12 DIN 7984	
17	.....	4	Safety washer	S8	
18	.....	4	Tread block		
20	A2727017650	1	Sealing set brake		Pos.21 – 27
21	.....	1	Sealing ring V-seal		
22	.....	1	Bushing		
23	.....	1	Round sealing ring	31×3 NBR70	
24	.....	1	Plug		
25	.....	1	Plug		
26	.....	1	Round sealing ring	205×2	
27	.....	2	Retaining ring	35×1.5	
30	A2727011650	1	Bearings and sealings		Pos.31 – 37
31	.....	2	Round sealing ring	216×2 NBR70	
32	.....	1	Retaining ring	110×4 DIN 472	
33	.....	1	Bearing	6310-2RS DIN 625	
34	.....	1	Retaining ring	50×2 DIN 471	



# Spare parts list YKD/SKD, YKE/SKE

## 4HSA-MF hoist motor



Item	Part no.	Qty.	Description	Specification	Comment
	A70002419	1	Motor	YKD/SKD, YKE/SKE w. drum speed 80, 100 fpm	Pos.45 1), 3)
	A70002423	1	Motor	YKD/SKD, YKE/SKE w. drum speed 128, 160 fpm	Pos.45 1), 3)
1	A2727091650	1	Brake rotor spare part set		Pos.2 – 4, 9, 20
7	A2727058650	1	Brake compl.	170 – 216 V / 400 – 500 V, 50 Hz	Pos.1, 8 – 9, 20
9	.....	1	Hub		
14	A2627007650	1	Forced ventilation		Pos.15 – 19
15	.....	1	Fan cover		
16	.....	4	Screw	M6×10 ISO 4762	
17	.....	4	Safety washer	A6.4 DIN 6797	
18	.....	4	Screw	M8×12 EN 24017	
19	.....	4	Safety washer	S8	
20	A2627006650	1	Sealing set brake		Pos.21 – 27
21	.....	1	Sealing ring V-seal		
22	.....	1	Bushing		
23	.....	1	Round sealing ring	31×3	
24	.....	1	Plug		
25	.....	1	Plug		
26	.....	2	Round sealing ring	216×2 NBR70	
27	.....	3	Retaining ring	35×1.5 DIN 471	
30	A2627009650	1	Bearings and sealings		Pos.31 – 37
31	.....	2	Round sealing ring	216×2 NB70	
32	.....	1	Retaining ring	110×4 DIN 472	
33	.....	1	Bearing	6310-2Z/C3/HT	
34	.....	1	Retaining ring	50×2 DIN 471	
35	.....	1	Shaft seal	AS48×72×8 Viton	
36	.....	1	Round sealing ring	95×2 NB70	
37	.....	1	Bearing	6208-2Z/C3/HT	
45	A2527009650	1	Gear motor screws		Pos.36, 46 – 47
46	.....	4	Screw	M12×35 ISO 4762	
47	.....	4	Safety washer	S12	

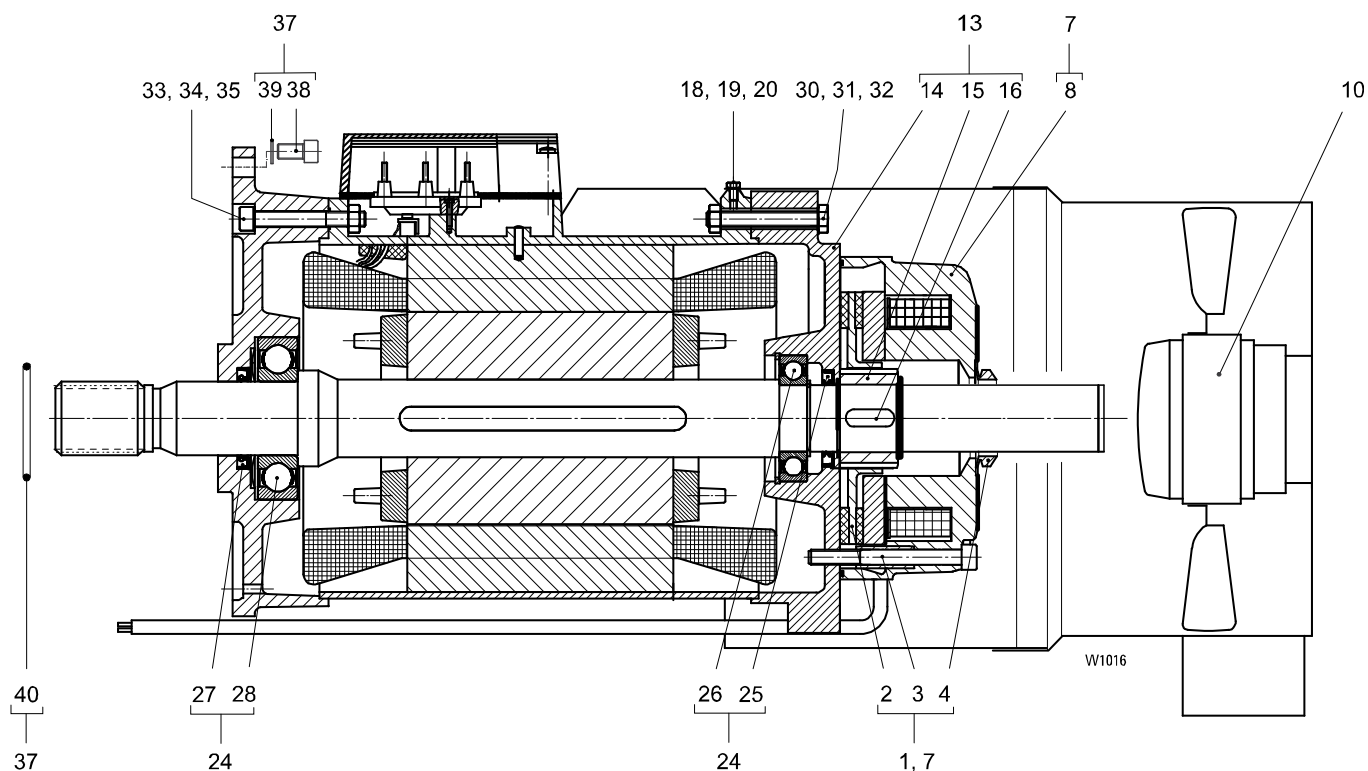
ol-q.2.6;14-us-8;1-ys | A11869401 Rev.AF





Spare parts list  
YKD/SKD, YKE/SKE

24/4H92 hoist motor



Item	Part no.	Qty.	Description	Specification	Comment
	A70002457	1	Motor	YKE/SKE w. drum speed 100, 128 fpm	Pos.37 (1),2,4)
	A70002458	1	Motor	YKE/SKE w. drum speed 160, 200 fpm	Pos.37 (1),2,4)
1	A0543011650	1	Brake rotor spare part set		Pos.2 – 4
7	A0543012650	1	Brake spare part set	104 – 120 V / 380 – 460 V, 50 Hz	Pos.1, 8 (3)
7	A0543029650	1	Brake spare part set	130 – 150 V / 480 – 525 V, 50 Hz	Pos.1, 8 (3)
7	A0543030650	1	Brake spare part set	156 – 180 V / 575 – 720 V, 50 Hz	Pos.1, 8 (3)
8	.....	1	Brake		
10	A5760080	1	Forced ventilation		
13	A0543026650	1	Motor cover spare part set		Pos.14 – 16
14	.....	1	Motor cover		
15	.....	1	Hub		
16	.....	1	Feather key	B18×11×60 DIN 6885	
18	A5672390	4	Screw	M8/D10×8 5.6	
19	A5672400	4	Grommet	A10×14×2.5	
20	A5071570	4	Disc	10 ISO EN 28738	
24	A0543016650	1	Bearings and sealings		Pos.4, 25 – 28
25	.....	1	Shaft seal	A60×80×8 DIN 3760	
26	.....	1	Bearing	6212-ZJC3 DIN 625	
27	.....	1	Shaft seal	A65×85×10 DIN 3760	
28	.....	1	Bearing	6213-ZJC3 DIN 625	
	.....	4	Screw	M6×60 DIN 6912	
30	A5000390	4	Screw	M12×75 ISO 4014	
31	A5672420	4	Spring washer	12	
32	A5672630	4	Nut	M12 ISO 272	
33	A5000400	4	Screw	M12×90 DIN 6912	
34	A5672420	4	Spring washer	12	
35	A5672630	4	Nut	M12 ISO 272	
37	A0543006650	1	Gear motor screws		Pos.38 – 40
38	.....	4	Screw	M16×40 ISO 4762-8.8	
39	.....	4	Safety washer	S16	

cl-o.2.6.14-us-8.1-ys | A11869401 Rev.AF

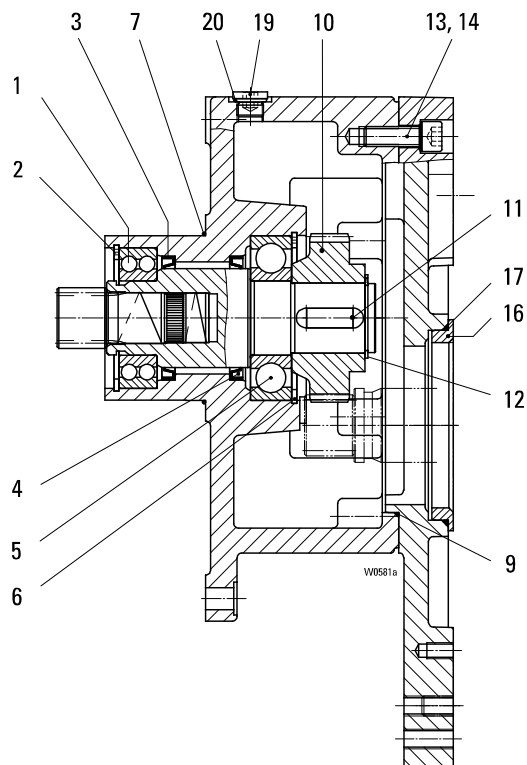
## Spare parts list YKD/SKD, YKE/SKE

Item	Part no.	Qty.	Description	Specification	Comment
40	.....	1	Round sealing ring	95×2	

- 1) Please state operating voltage, frequency and wire rope hoist type
- 2) Please state „forced ventilation“ when ordering
- 3) Coil voltage / operating voltage motor
- 4) Calculating of drum speed = reeving × hoist speed      e.g. YKB-T05-020S    **2**      **20**    -2-54  
reeving    hoist speed

Spare parts list  
YKD/SKD, YKE/SKE

Intermediate gear



Item	Part no.	Qty.	Description	Specification	Comment
	A2527010300	1	Intermediate gear	YKD/SKD, YKE/SKE w. drum speed 24, 32 fpm	1)
	A2527012300	1	Intermediate gear	YKD/SKD, YKE/SKE w. drum speed 64 fpm	1)
	A2527013300	1	Intermediate gear	YKD/SKD, YKE/SKE w. drum speed 40 fpm	1)
1	A5601660	1	Bearing	4209A	DIN 625
2	A5061090	1	Retaining ring	85×3	DIN 471
3	A5611090	1	Shaft seal	60×75×8 NB	DIN 3760
4	A5611090	1	Shaft seal	60×75×8 NB	DIN 3760
5	A5600370	1	Bearing	6309	DIN 625
6	A5062640	1	Retaining ring	100×3	DIN 472
7	A5150280	1	Round sealing ring	95×2	NB70
9	A5159570	1	Round sealing ring	230×2	NB70
10	A2527326110	1	Gear wheel		
11	A5370260	1	Feather key	A12×8×40	DIN 6885
12	A5062480	1	Retaining ring	42×1.75	DIN 471
13	A5001830	8	Screw	M12×35	ISO 4762
14	A5068410	8	Safety washer	S12 vz	
16	A2527301490	1	Eccentric ring		
17	A5159740	1	Round sealing ring	115×3	NB70
19	A5030110	4	Locking bolt	AM16×1.5	
20	A5150040	4	Sealing ring	C16×20	

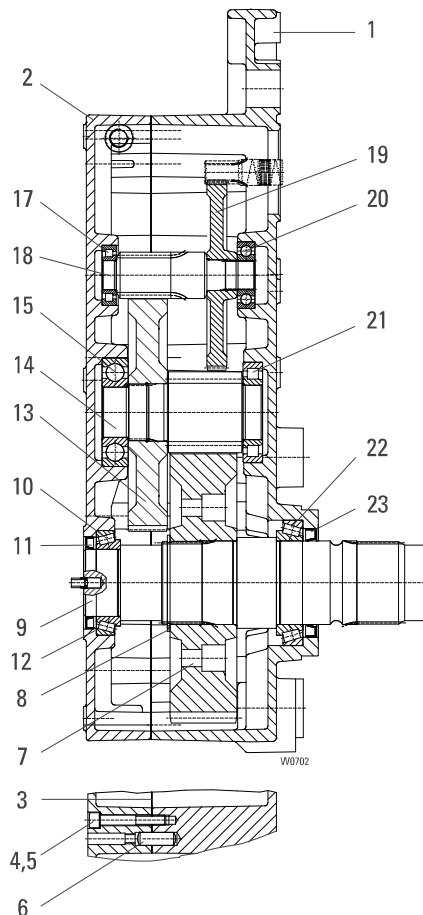
1) Calculating of drum speed = reeving × hoist speed

e.g. YKB-T05-020S    2        20    -2-54  
reeving    hoist speed

# Spare parts list YKD/SKD, YKE/SKE

## Gear

Please always state serial number when ordering.



Item	Part no.	Qty.	Description	Specification	Comment
	A2627000300	1	Gear, standard	YKD/SKD, YKE/SKE w. drum speed 48 fpm	2)
	A2627001300	1	Gear, standard	YKD/SKD, YKE/SKE w. drum speed 64 fpm	2)
	A70040984	1	Gear, standard	YKD/SKD, YKE/SKE w. drum speed 24, 80 fpm	2)
	A2627003300	1	Gear, standard	YKD/SKD, YKE/SKE w. drum speed 32, 100 fpm	2)
	A70040982	1	Gear, standard	YKD/SKD, YKE/SKE w. drum speed 40, 128 fpm	2)
	A2627005300	1	Gear, standard	YKD/SKD, YKE/SKE w. drum speed 80, 160 fpm	2)
	A70040983	1	Gear, standard	YKD/SKD, YKE/SKE w. drum speed 64, 100, 200 fpm	2)
	A2627007300	1	Gear, standard	YKD/SKD, YKE/SKE w. drum speed 128, 248 fpm	2)
	A2627008300	1	Gear, standard	YKD/SKD, YKE/SKE w. drum speed 160 fpm	2)
	A2627009300	1	Gear, standard	YKD/SKD, YKE/SKE w. drum speed 200 fpm	2)
	A2627010300	1	Gear, 1P.	YKD/SKD, YKE/SKE w. drum speed 48 fpm	2)
	A2627011300	1	Gear, 1P.	YKD/SKD, YKE/SKE w. drum speed 64 fpm	2)
	A2627012300	1	Gear, 1P.	YKD/SKD, YKE/SKE w. drum speed 24, 80 fpm	2)
	A2627013300	1	Gear, 1P.	YKD/SKD, YKE/SKE w. drum speed 32, 100 fpm	2)
	A2627014300	1	Gear, 1P.	YKD/SKD, YKE/SKE w. drum speed 40, 128 fpm	2)
	A2627015300	1	Gear, 1P.	YKD/SKD, YKE/SKE w. drum speed 80, 160 fpm	2)
	A2627016300	1	Gear, 1P.	YKD/SKD, YKE/SKE w. drum speed 64, 100, 200 fpm	2)
	A2627017300	1	Gear, 1P.	YKD/SKD, YKE/SKE w. drum speed 128, 248 fpm	2)
	A2627018300	1	Gear, 1P.	YKD/SKD, YKE/SKE w. drum speed 160 fpm	2)
	A2627019300	1	Gear, 1P.	YKD/SKD, YKE/SKE w. drum speed 200 fpm	2)
1	A2627303010	1	Gear box	standard	

## Spare parts list YKD/SKD, YKE/SKE

Item	Part no.	Qty.	Description	Specification	Comment
1	A2627302010	1	Gear box	1P.	
2	A2627301020	1	Gear cap		
	A2627003650	1	Seal set		Pos.3 – 6
3	.....	1	Seal		
4	.....	12	Screw	M12×80	DIN 912-8.8
5	.....	12	Safety washer	S12	
6	.....	2	Dowel pin	16m6×40	DIN 7
7	A2627300110	1	Gear wheel		
8	A5062530	1	Retaining ring	100×3	DIN 471
9	A2627000380	1	Drive shaft		
10	A5600700	1	Bearing	320 16X	DIN 720
11	A5611100	1	Shaft seal	80×110×10	NB
12	A5061950	1	Adjusting washer	110×125×0.3	1)
12	A5061960	1	Adjusting washer	110×125×0.2	1)
13	A2627303110	1	Gear wheel, z=88	YKD/SKD, YKE/SKE w. drum speed 24, 40, 48, 64, 80, 128, 200 fpm	12/2H.. / 4H..MF 2)
13	A2627303110	1	Gear wheel, z=88	YKD/SKD, YKE/SKE w. drum speed 100, 160 fpm	24/4H92 2)
13	A2627302110	1	Gear wheel, z=65	YKD/SKD, YKE/SKE w. drum speed 32, 64, 100, 160, 248 fpm	12/2H.. / 4H..MF 2)
13	A2627302110	1	Gear wheel, z=65	YKD/SKD, YKE/SKE w. drum speed 80, 128, 200 fpm	24/4H92 2)
14	A2627304190	1	Pinion shaft, z=13		
15	A5600800	1	Bearing	6313	DIN 625
17	A5601970	1	Bearing	NJ 207 EC	DIN 5412
18	A2627303190	1	Pinion shaft, z=15	YKD/SKD, YKE/SKE w. drum speed 24, 40, 48, 64, 80, 128, 200 fpm	12/2H.. / 4H..MF 2)
18	A2627303190	1	Pinion shaft, z=15	YKD/SKD, YKE/SKE w. drum speed 100, 160 fpm	24/4H92 2)
18	A2627301190	1	Pinion shaft, z=14	YKD/SKD, YKE/SKE w. drum speed 32, 64, 100, 160, 248 fpm	12/2H.. / 4H..MF 2)
18	A2627301190	1	Pinion shaft, z=14	YKD/SKD, YKE/SKE w. drum speed 80, 128, 200 fpm	24/4H92 2)
19	A2527304110	1	Gear wheel, z=94	YKD/SKD, YKE/SKE w. drum speed 48, 64 fpm	12/2H.. / 4H..MF 2)
19	A2527303110	1	Gear wheel, z=90	YKD/SKD, YKE/SKE w. drum speed 24, 32, 80, 100 fpm	12/2H.. / 4H..MF 2)
19	A2527302110	1	Gear wheel, z=71	YKD/SKD, YKE/SKE w. drum speed 40, 128, 160 fpm	12/2H.. / 4H..MF 2)
19	A2527302110	1	Gear wheel, z=71	YKD/SKD, YKE/SKE w. drum speed 80 fpm	24/4H92 2)
19	A2527301110	1	Gear wheel, z=64	YKD/SKD, YKE/SKE w. drum speed 64, 200, 248 fpm	12/2H.. / 4H..MF 2)
19	A2527301110	1	Gear wheel, z=64	YKD/SKD, YKE/SKE w. drum speed 100, 128 fpm	24/4H92 2)
19	A2527319110	1	Gear wheel, z=55	YKD/SKD, YKE/SKE w. drum speed 160, 200 fpm	24/4H92 2)
20	A5600610	1	Bearing	6307	DIN 625
21	A5601210	1	Bearing	NJ 213 E	DIN 5412
22	A5608380	1	Bearing	320 20X	DIN 720
23	A5618450	1	Shaft seal	100×130×13	NB

Gear without gear oil: amount required see operating instructions

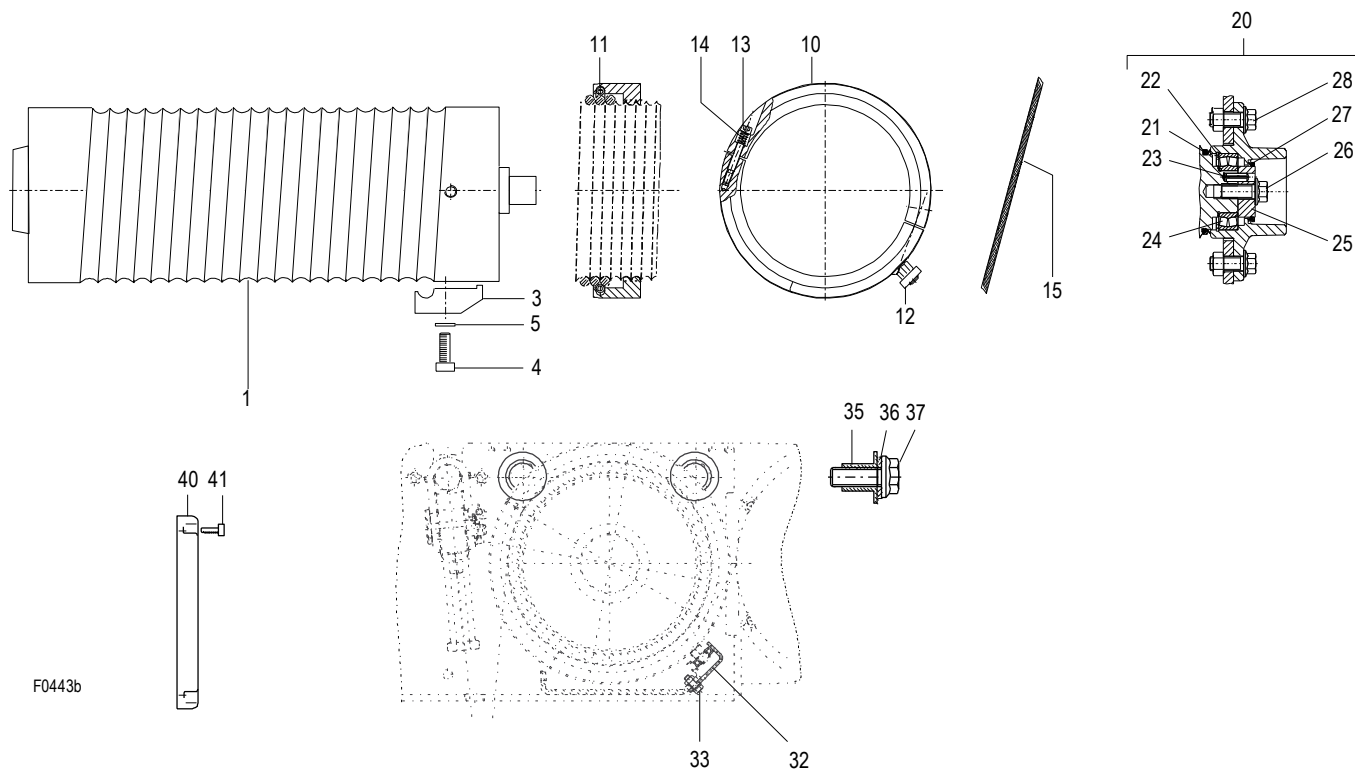
1) As required

2) Calculating of drum speed = reeving × hoist speed

e.g. YKB-T05-020S    **2**    **20**    -2-54  
reeving    hoist speed

# Spare parts list YKD/SKD, YKE/SKE

## Rope drum



Item	Part no.	Qty.	Description	Specification	Comment
1	A0643000400	1	Rope drum - left version	.PS, L2	Rope D 0.79 in 1)
1	A0643001400	1	Rope drum - left version	.PS, L3	Rope D 0.79 in 1)
1	A0643002400	1	Rope drum - left version	.PS, L4	Rope D 0.79 in 1)
1	A0643003400	1	Rope drum - left version	.PS, L5	Rope D 0.79 in 1)
1	A0643004400	1	Rope drum - left version	.PS, L2	Rope D 0.63 in 1)
1	A0643005400	1	Rope drum - left version	.PS, L3	Rope D 0.63 in 1)
1	A0643006400	1	Rope drum - left version	.PS, L4	Rope D 0.63 in 1)
1	A0643007400	1	Rope drum - left version	.PS, L5	Rope D 0.63 in 1)
1	A0643008400	1	Rope drum - left version	.PS, L2	Rope D 0.55 in 1)
1	A0643009400	1	Rope drum - left version	.PS, L3	Rope D 0.55 in 1)
1	A0643010400	1	Rope drum - left version	.PS, L4	Rope D 0.55 in 1)
1	A0643011400	1	Rope drum - left version	.PS, L5	Rope D 0.55 in 1)
1	A0643012400	1	Rope drum - left version	.PS, L2	Rope D 0.49 in 1)
1	A0643013400	1	Rope drum - left version	.PS, L3	Rope D 0.49 in 1)
1	A0643014400	1	Rope drum - left version	.PS, L4	Rope D 0.49 in 1)
1	A0643015400	1	Rope drum - left version	.PS, L5	Rope D 0.49 in 1)
1	A0643016400	1	Rope drum - right/left version	.PD, L2	Rope D 0.49 in 1)
1	A0643017400	1	Rope drum - right/left version	.PD, L3	Rope D 0.49 in 1)
1	A0643018400	1	Rope drum - right/left version	.PD, L4	Rope D 0.49 in 1)
1	A0643019400	1	Rope drum - right/left version	.PD, L5	Rope D 0.49 in 1)
3	A4633000460	3	Clamping plate	.PS	Rope D 0.79 in Pos.4 – 5
4	A5001520	3	Screw	M16×35	DIN 6912-8.8
5	A5070010	3	Safety washer	S16	
3	A0643000460	3	Clamping plate	.PS	Rope D 0.63 in Pos.4 – 5
4	A5001400	3	Screw	M16×35	DIN 6912-8.8

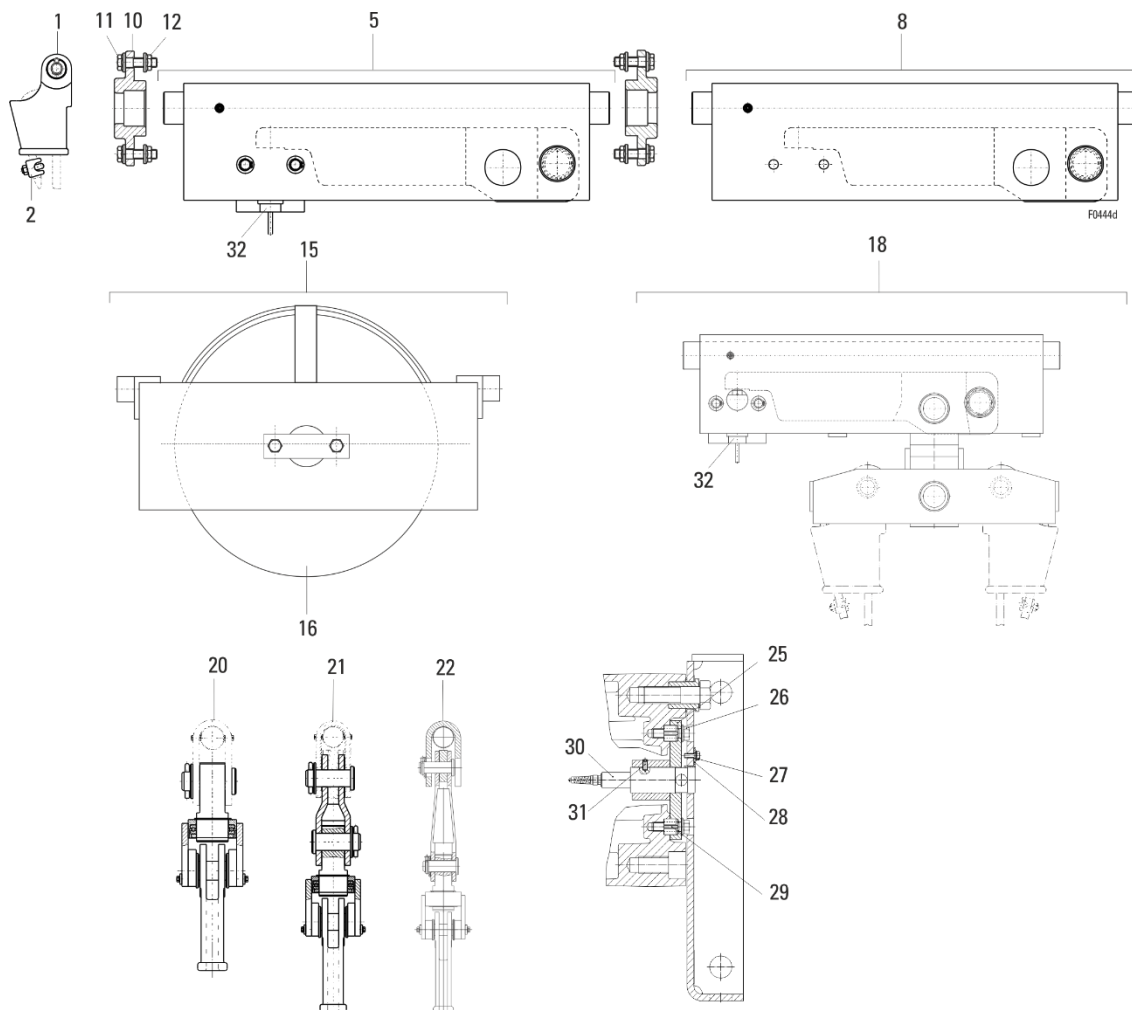
## Spare parts list YKD/SKD, YKE/SKE

Item	Part no.	Qty.	Description	Specification	Comment
5	A5070010	3	Safety washer	S16	
3	A0543000460	6	Clamping plate	.PD	Rope D 0.49 in
4	A5008500	6	Screw	M12×25	DIN 6912-8.8
5	A5068410	6	Safety washer	S12	
10	A0643003430	1	Rope guide ring - left version	.PS	Rope D 0.79 in
10	A0643002430	1	Rope guide ring - left version	.PS	Rope D 0.63 in
10	A0643001430	1	Rope guide ring - left version	.PS	Rope D 0.55 in
10	A0643000430	1	Rope guide ring - left version	.PD	Rope D 0.49 in
10	A0643004430	1	Rope guide ring - right version	.PD	Rope D 0.49 in
11	A0643400940	1	Tension spring		
12	A0643001470	1	Guide part		
13	A2433401900	2	Screw		
14	A5033401940	2	Pressure spring		
15	.....		Wire rope	See data sheet	
20	A0643000650	1	Drum bearing		Pos.22 – 28
21	.....	1	Sealing ring		
22	.....	1	Retaining ring	90×3 V	
23	.....	1	Dowel pin	10×28	
24	.....	1	Bearing	222 10 E	DIN 1473
25	.....	1	Holding disc		
26	.....	1	Safety bolt	M16×40-10	
27	.....	1	Sealing ring		
28	.....	3	Safety bolt	M16×40-10	
32	A0643208050	1	Guide rail	L2	
32	A0643209050	1	Guide rail	L3	
32	A0643210050	1	Guide rail	L4	
32	A0643211050	1	Guide rail	L5	
33	A5011150	9	Safety bolt		
35	A0643200500	2	Bushing		
36	A5070850	1	Safety washer	S30	
37	A5002240	1	Hexagon head cap screw	M30×100	
40	A70021654	1	End cover	YK	Pos. 41
40	A70021656	1	End cover	SK	Pos. 41
41	A5050340	4	Screw	M6×20	DIN 7516

1) Always order item 20 in addition

# Spare parts list YKD/SKD, YKE/SKE

## Rope suspension



Item	Part no.	Qty.	Description	Specification		Comment
1	A4633000480	1	Clamp	.PS, YKE/SKE	Rope D 0.79 in	
1	A4533004480	1	Clamp	.PS, YKD/SKD	Rope D 0.63 in	
1	A0643000480	1	Clamp	.PD, YKE/SKE	Rope D 0.469 – 0.49 in	
2	A5170070	1	Wire rope clamp	Size 13, YKD/SKD	Rope D 0.472 – 0.49 in	
2	A5170080	1	Wire rope clamp	Size 16, YKD/SKD	Rope D 0.55 – 0.59 in	
2	A5178010	1	Wire rope clamp	Size 22, YKE/SKE	Rope D 0.79 in	
	YKE/SKE		w. drum pull force < 8000 daN			
5	A0643064830	1	Suspension complete	910 – 1520 daN	LCD1-270	Pos.32
5	A0643065830	1	Suspension complete	1521 – 2455 daN	LCD1-440	Pos.32
5	A0643066830	1	Suspension complete	2456 – 3999 daN	LCD1-700	Pos.32
5	A0643067830	1	Suspension complete	4000 – 6820 daN	LCD1-1200	Pos.32
5	A0643003840	1	Suspension complete	930 – 1899 daN	LCP1-350 SLE3	Pos.32
5	A0643004840	1	Suspension complete	1900 – 3499 daN	LCP1-700 SLE3	Pos.32
5	A0643005840	1	Suspension complete	3500 – 6820 daN	LCP1-1250 SLE3	Pos.32
	YKE/SKE		w. drum pull force ≥ 8000 daN			
5	A70042288	1	Suspension complete	6821 – 8000 daN	LCD1-1450	Pos.32
5	A70042287	1	Suspension complete	6821 – 8000 daN	LCP1-1500 SLE3	Pos.32
	YKD/SKD					
5	A70014488	1	Suspension complete	750 – 1499 daN	LCP1-350, SLE3	Pos.32



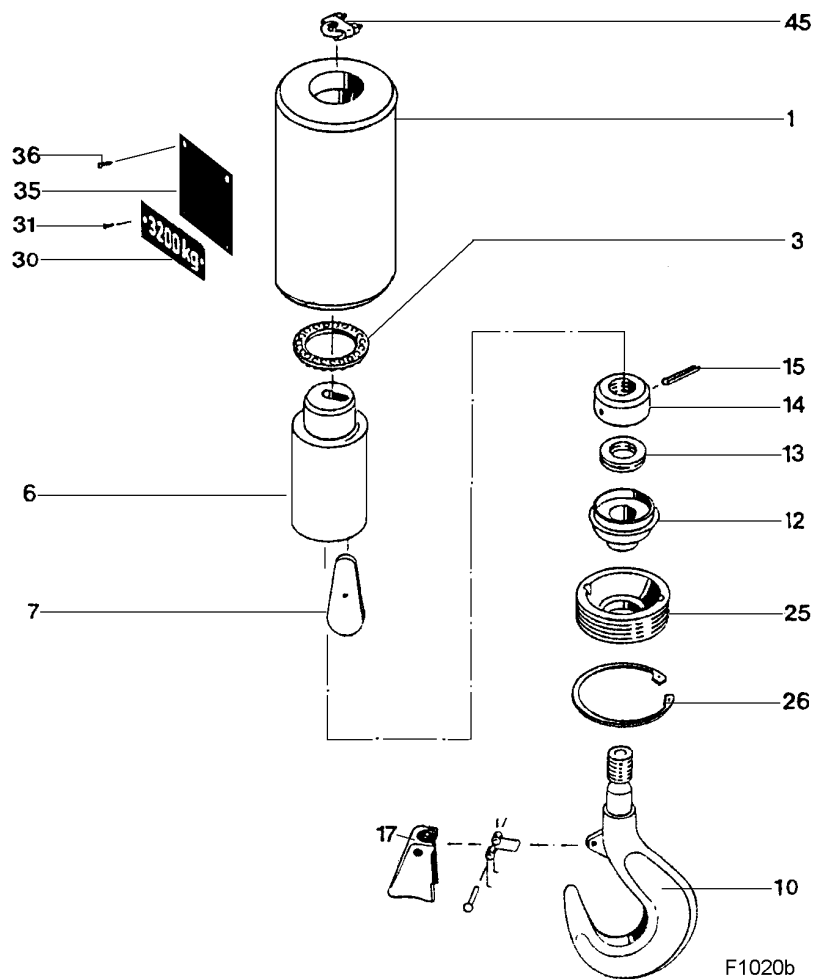
## Spare parts list YKD/SKD, YKE/SKE

Item	Part no.	Qty.	Description	Specification		Comment
5	A70014489	1	Suspension complete	1500 – 2499 daN	LCP1-700, SLE3	Pos.32
5	A70014490	1	Suspension complete	2500 – 4000 daN	LCP1-1250, SLE3	Pos.32
8	A0643002280	1	Suspension complete			
10	A0643202120		Bearing pedestal	YKE/SKE		x)
10	A0643207120		Bearing pedestal	YKD/SKD		x)
11	A5011870		Safety bolt	M12×40		x)
12	A5078400		Locking nut	M12		x)
15	A70021525	1	Deflection cross bar	YKE/SKE w. drum pull force < 8000 daN		Pos.16
16	A2533000530	1	Rope pulley	YKE/SKE w. drum pull force < 8000 daN		
16	A0143032530	1	Rope pulley, intensified	YKE/SKE w. drum pull force < 8000 daN		
15	A70042189	1	Deflection cross bar	YKE/SKE w. drum pull force ≥ 8000 daN		Pos.16 15
16	A0333001530	1	Rope pulley	YKE/SKE w. drum pull force ≥ 8000 daN		16
15	A0643001270	1	Deflection cross bar	YKD/SKD		Pos.16
16	A0333040530	1	Rope pulley	YKD/SKD		
16	A0143019530	1	Rope pulley, intensified	YKD/SKD		
18	A0643017830	1	Suspension complete	910 – 1520 daN	LCD1-270	Pos.32
18	A0643018830	1	Suspension complete	1521 – 2455 daN	LCD1-440	Pos.32
18	A0643050830	1	Suspension complete	2456 – 3999 daN	LCD1-700	Pos.32
18	A0643051830	1	Suspension complete	4000 – 6820 daN	LCD1-1200	Pos.32
20	A4633022280	1	Anti-twist device	YKE/SKE		
21	A4633023280	1	Anti-twist device	YKE/SKE		
22	A0643006280	1	Anti-twist device	YKD/SKD		
25	A2627300740	1	Sensor admission	1PS		
26	A5011260	3	Safety bolt	M16×50-10	Verbus Ripp	
27	A5010250	1	Safety bolt	M8×20-10	Verbus Ripp	
28	A0643705830	1	Angle			
29	A5040920	2	Spring-type straight pin	28×24 55Si7	ISO 8752	
30	A5710640	1	Load sensor	LSD2-1240		
30	A5710630	1	Load sensor	LSD2-2090		
30	A5710620	1	Load sensor	LSD2-3400		
30	A5710610	1	Load sensor	LSD2-5600		
31	A5030250	1	Threaded pin	M8×20 45H	ISO 4029	
32	A0643013830	1	Load sensor	730 – 1520 daN	LCD1-270	
32	A0643014830	1	Load sensor	1211 – 2455 daN	LCD1-440	
32	A0643015830	1	Load sensor	1951 – 3999 daN	LCD1-700	
32	A0643016830	1	Load sensor	3216 – 6820 daN	LCD1-1200	
32	A70042283	1	Load sensor	6821 – 8000 daN	LCD1-1450	
32	A0643002650	1	Load sensor	930 – 1899 daN	LCP1-350 SLE3	
32	A0643003650	1	Load sensor	1900 – 3499 daN	LCP1-700 SLE3	
32	A0643004650	1	Load sensor	3500 – 6820 daN	LCP1-1250 SLE3	
32	A70051126	1	Load sensor	6821 – 8000 daN	LCP1-1500 SLE3	

x) Quantity as required

Spare parts list  
YKD/SKD, YKE/SKE

H190-1 bottom hook block



Item	Part no.	Qty.	Description	Specification	Comment
	A70007028	1	Bottom hook block	H190-1 E-Ha 1600 kg	
	A0333032590	1	Bottom hook block	H190-1 E-Ha 2000 kg	
	A70007036	1	Bottom hook block	H190-1 E-Ha 2500 kg	
	A0333033590	1	Bottom hook block	H190-1 E-Ha 3200 kg	
	A70007037	1	Bottom hook block	H190-1 E-Ha 4000 kg	
1	A0333030560	1	Casing		
3	A5608670	1	Bearing	51120 DIN 711	
6	A3033521210	1	Rope socket		
7	A5033500660	1	Rope wedge	K7	
10	A2533022520	1	Load hook	RSN 1.6 E-Ha	Pos.11 – 17
12	.....	1	Carrying disc		
13	A70045752	1	Bearing set	51107 DIN 711	Pos.15
14	.....	1	Nut		
15	A5042460	1	Clamping sleeve	6×60 ISO 8752	
17	A1532053560	5	Safety catch		
17	A5210090	1	Safety catch		
25	A3033521900	1	Carrier screw		
26	A5062660	1	Retaining ring	145×4 DIN 472	
30	A70003756	2	S.W.L.-sign set	1600 kg	Pos.31
30	A70003757	2	S.W.L.-sign set	2000 kg	Pos.31
30	A70003758	2	S.W.L.-sign set	2500 kg	Pos.31
30	A70003759	2	S.W.L.-sign set	3200 kg	Pos.31

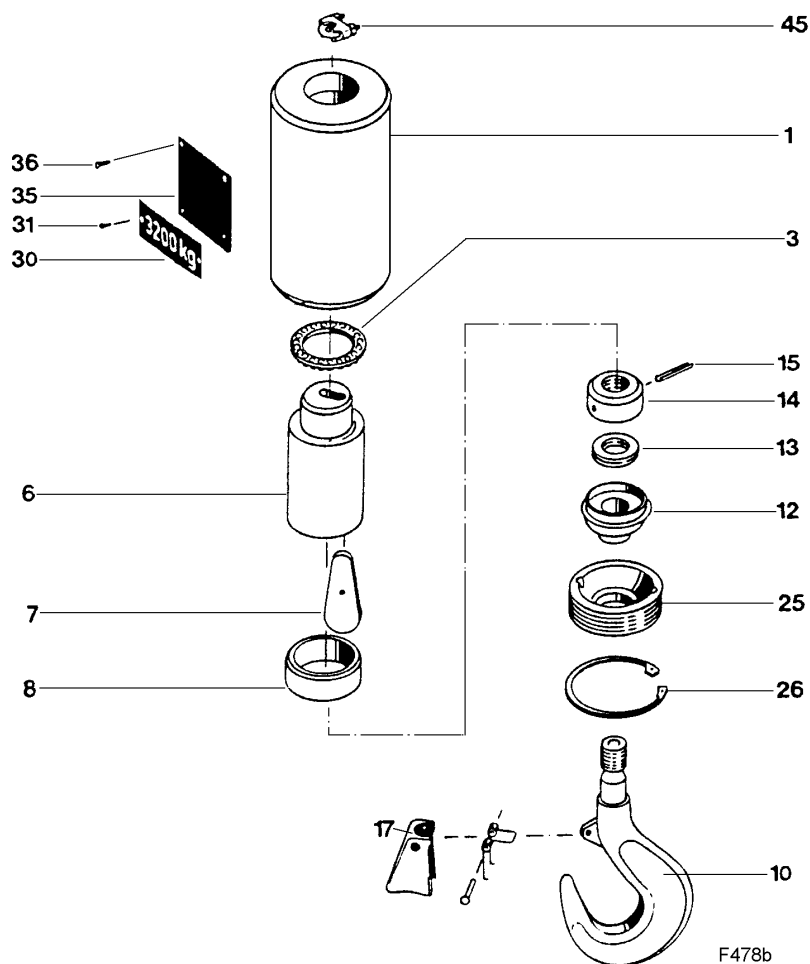
ol-c.2.6.14-us-8.1-ys | A11869401 Rev AF

**Spare parts list**  
**YKD/SKD, YKE/SKE**

Item	Part no.	Qty.	Description	Specification	Comment
30	A70003786	2	S.W.L.-sign set	4000 kg	Pos.31
31	A5078310	2	Blind rivet	3×5	
35	A70004833	2	Name plate set		Pos.36
36	A5078310	4	Blind rivet	3×5	
45	A5170080	1	Wire rope clamp	Size 10	

Spare parts list  
YKD/SKD, YKE/SKE

H200-1 bottom hook block



Item	Part no.	Qty.	Description	Specification	Comment
	A0333040590	1	Bottom hook block	H200-1 E-Ha	1)
	A0333045590	1	Bottom hook block	H200-1 D-Ha	1)
1	A0333040560	1	Casing		
3	A5608680	1	Bearing	51122	DIN 711
6	A2533501210	1	Rope socket		
7	A2533502660	1	Rope wedge	K9	
8	A2533502510	1	Bushing	146/130/57	
10	A2533023520	1	Load hook	RSN 2.5 E-Ha	Pos.11 – 17
10	A2533011520	1	Load hook	RS 2.5 D-Ha	
12	.....	1	Carrying disc		
13	A5600210	1	Bearing	51108	DIN 711
14	.....	1	Nut		
15	A5042470	1	Spring-type straight pin	7×70	ISO 8752
17	A5210270	1	Safety catch		
25	A2533500900	1	Carrier screw		
26	A5069220	1	Retaining ring	160×4	DIN 472
30	A70003759	2	S.W.L.-sign set	3200 kg	Pos.31
30	A70003786	2	S.W.L.-sign set	4000 kg	Pos.31
30	A70004820	2	S.W.L.-sign set	5000 kg	Pos.31
30	A70004852	2	S.W.L.-sign set	6300 kg	Pos.31
31	A5078310	2	Blind rivet	3×5	
35	A70007297	2	Name plate set		Pos.36

01-c.2.6.14-us-8.1-ys | A11869401 Rev AF

## Spare parts list YKD/SKD, YKE/SKE

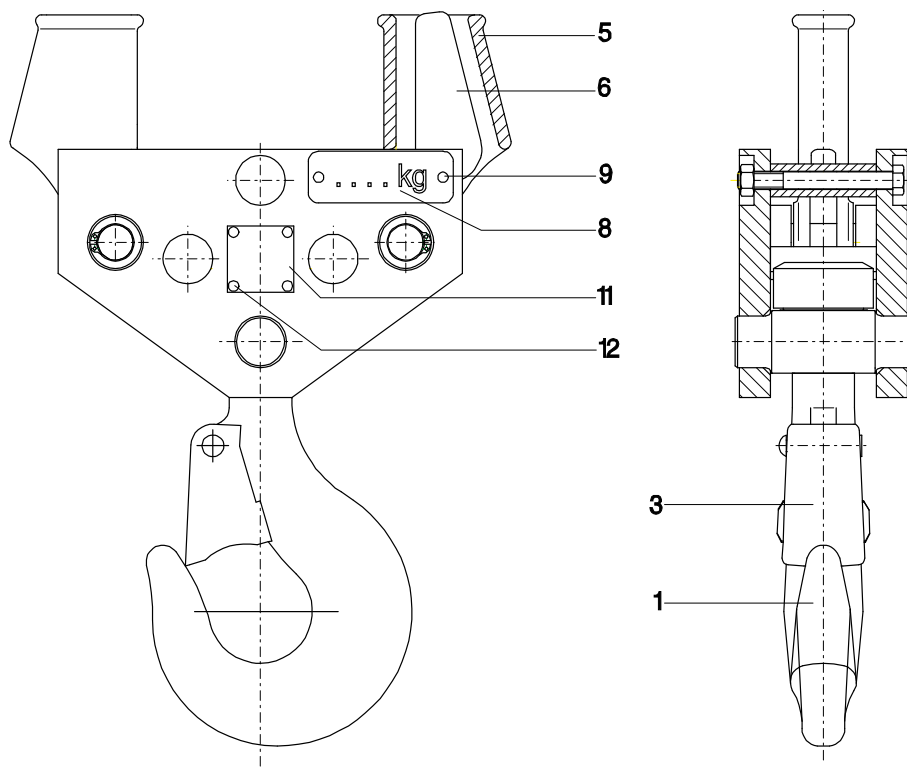
---

Item	Part no.	Qty.	Description	Specification	Comment
36	A5078310	4	Blind rivet	3×5	
45	A5179000	1	Wire rope clamp	Size 19	

1) Please state capacity

Spare parts list  
YKD/SKD, YKE/SKE

T181-2 hook traverse



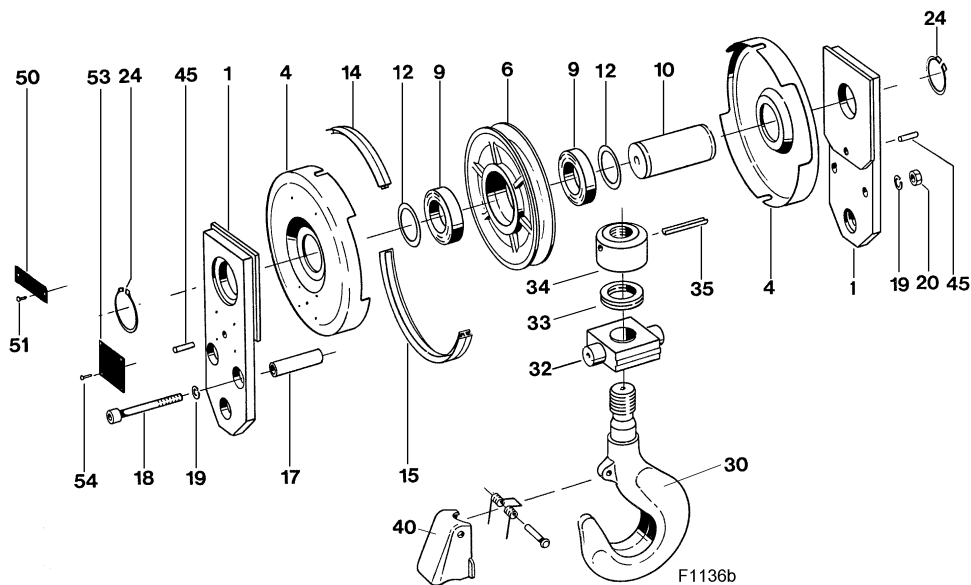
F0248

Item	Part no.	Qty.	Description	Specification	Comment
	A0333057560	1	Hook traverse	T181-2 E-Ha	1)
1	A2233006520	1	Load hook	RSN 2.5 E-Ha	Pos.3
3	A5210270	1	Safety catch		
5	A4533202100	2	Lock for wire rope		
6	A2433501660	2	Rope wedge		
8	A70003715	2	S.W.L.-sign set	4000 kg	Pos.9
8	A70003719	2	S.W.L.-sign set	5000 kg	Pos.9
8	A70003722	2	S.W.L.-sign set	6300 kg	Pos.9
9	A5078310	2	Blind rivet	3×5	
11	A70003711	2	Name plate set		Pos.12
12	A5078310	4	Blind rivet	3×5	

1) Please state capacity

Spare parts list  
YKD/SKD, YKE/SKE

H252-2 bottom hook block



Item	Part no.	Qty.	Description	Specification	Comment
	A0333024610	1	Bottom hook block	H252-2 E-Ha 5 ton	
	A0333006610	1	Bottom hook block	H252-2 E-Ha 7.5 ton	
	A0333001610	1	Bottom hook block	H252-2 E-Ha 2000 kg	
	A70007295	1	Bottom hook block	H252-2 E-Ha 2500 kg	
	A0333002610	1	Bottom hook block	H252-2 E-Ha 3000 kg	
	A0333003610	1	Bottom hook block	H252-2 E-Ha 3200 kg	
	A0333004610	1	Bottom hook block	H252-2 E-Ha 5000 kg	
	A0333005610	1	Bottom hook block	H252-2 E-Ha 6300 kg	
	A0333007610	1	Bottom hook block	H252-2 E-Ha 7500 kg	
	A0333008610	1	Bottom hook block	H252-2 E-Ha 8000 kg	
	A0333046500	1	Bottom hook block	H252-2 D-Ha	1)
1	A0333504170	2	Side cheek		
4	A70007290	2	Protection hood	Painted	
6	A0333040530	1	Rope pulley	D 9.8 in	Pos.9
6	A0143019530	1	Rope pulley, intensified	D 9.8 in	Pos.9
9	A5609530	2	Bearing	6212-2Z DIN 625	
10	A0333546140	1	Axle		
12	A5078000	2	Adjusting washer	60×75×1.5 DIN 988	
14	A0333540570	1	Joining element		
15	A0333541570	1	Joining element		
17	A0333541160	2	Bushing		
18	A5008300	2	Screw	M12×110 DIN 912-8.8	
19	A5069050	4	Spring washer	12 DIN 7980	
20	A5065500	2	Nut	M12 DIN 934-8	
24	A5069190	2	Retaining ring	60×3 DIN 471	
30	A2533025520	1	Load hook	RSN 4 E-Ha	Pos.31 – 40
30	A2533012520	1	Load hook	RS 4 D-Ha	Pos.31 – 40
32	.....	1	Traverse		
33	A70045749	1	Bearing set	51110 DIN 711	Pos.35
34	.....	1	Nut		
35	A5042480	1	Spring-type straight pin	10×80 ISO 8752	
40	A5210270	1	Safety catch	E-Ha	
40	A5210140	2	Safety catch	D-Ha	
45	A5041470	2	Dowel pin	6×30 DIN 1473	

ol-o.2.6:14-us-8.1-ys | A11869401 Rev.AF

**Spare parts list**  
**YKD/SKD, YKE/SKE**

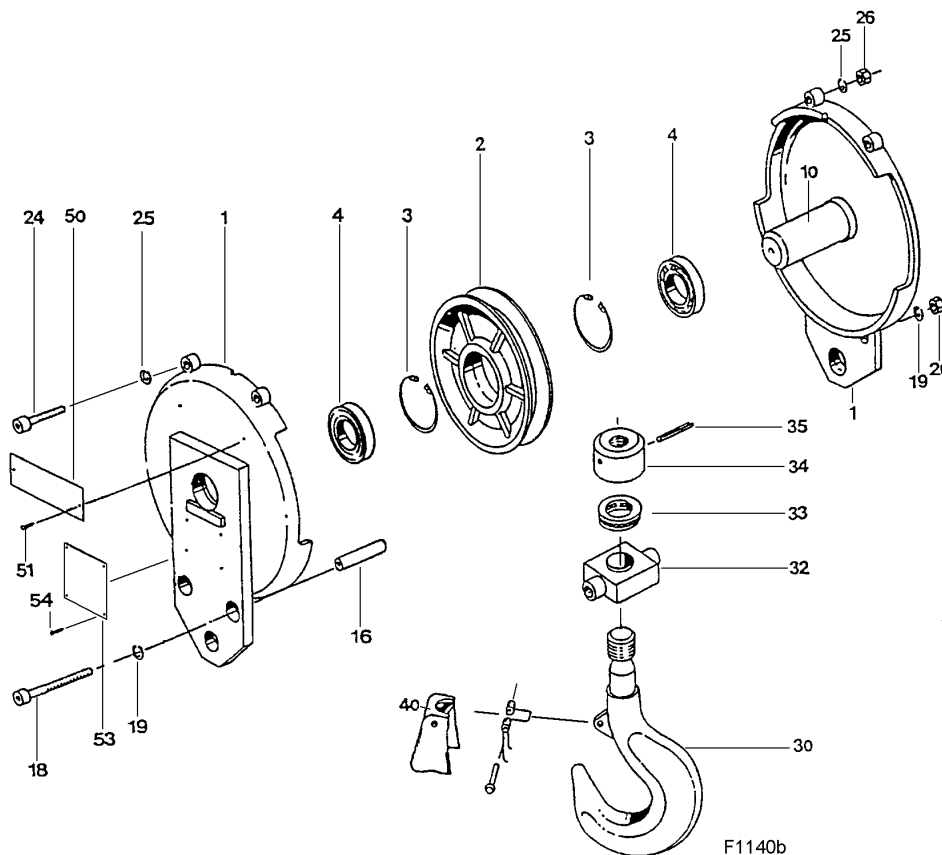
Item	Part no.	Qty.	Description	Specification	Comment
50	A70005280	2	S.W.L.-sign set	5 ton	Pos.51
50	A70005252	2	S.W.L.-sign set	7.5 ton	Pos.51
50	A70003757	2	S.W.L.-sign set	2000 kg	Pos.51
50	A70003758	2	S.W.L.-sign set	2500 kg	Pos.51
50	A70003759	2	S.W.L.-sign set	3200 kg	Pos.51
50	A70003786	2	S.W.L.-sign set	4000 kg	Pos.51
50	A70004820	2	S.W.L.-sign set	5000 kg	Pos.51
50	A70004852	2	S.W.L.-sign set	6300 kg	Pos.51
50	A70004885	2	S.W.L.-sign set	8000 kg	Pos.51
51	A5078310	2	Blind rivet	3×5	
53	A70004833	2	Name plate set		Pos.54
54	A5078310	4	Blind rivet	3×5	

1) Please state capacity



Spare parts list  
YKD/SKD, YKE/SKE

H375-2 bottom hook block



Item	Part no.	Qty.	Description	Specification	Comment
	A0333035610	1	Bottom hook block	H375-2 E-Ha 10 ton	
	A0333027610	1	Bottom hook block	H375-2 E-Ha 11 ton	
	A70017931	1	Bottom hook block	H375-2 E-Ha 3200 kg	
	A0333016610	1	Bottom hook block	H375-2 E-Ha 4000 kg	
	A0333037610	1	Bottom hook block	H375-2 E-Ha 5000 kg	
	A0333017610	1	Bottom hook block	H375-2 E-Ha 8000 kg	
	A0333018610	1	Bottom hook block	H375-2 E-Ha 10000 kg	
	A70007342	1	Bottom hook block	H375-2 E-Ha 12500 kg	
	A0333065500	1	Bottom hook block	H375-2 D-Ha	1)
1	A0333062540	2	Side cheek	Painted	
2	A2533000530	1	Rope pulley	D 14.8 in	Pos.3 – 4
2	A0143032530	1	Rope pulley, intensified	D 14.8 in	Pos.3 – 4
3	A5069380	2	Retaining ring	125×4 DIN 472	
4	A5600000	2	Bearing	6214-Z DIN 625	
10	A0333560140	1	Axle		
16	A2533501160	2	Distance pipe		
18	A0333501900	2	Screw		
19	A5069050	4	Spring washer	12 DIN 7980	
20	A5065500	2	Nut	M12 DIN 934-8	
24	A5004080	2	Screw	M12×60 DIN 912-8.8	
25	A5068410	4	Spring washer	S12	
26	A5065500	2	Nut	M12 DIN 934-8	
30	A2533026520	1	Load hook	RSN 5 E-Ha	Pos.31 – 40
30	A2533013520	1	Load hook	RS 5 D-Ha	
32	.....	1	Traverse		

el-o.2.6;14-us-8;1-ys | A11869401 Rev.AF

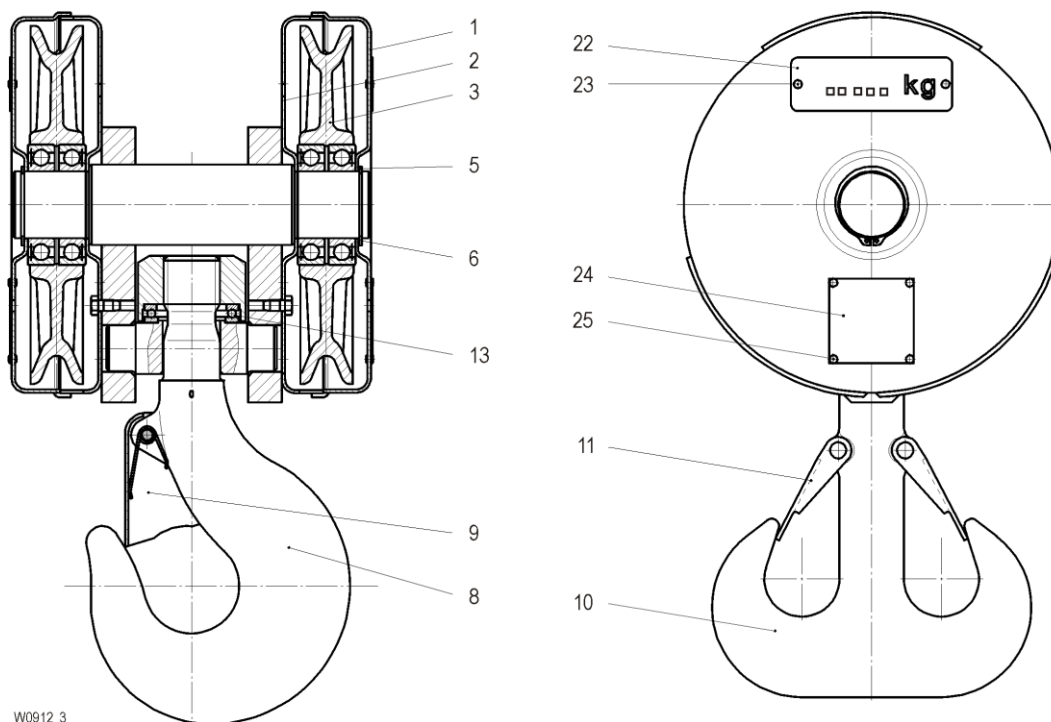
**Spare parts list**  
**YKD/SKD, YKE/SKE**

Item	Part no.	Qty.	Description	Specification	Comment
33	A70046205	1	Bearing set	51112                      DIN 711	Pos.35
34	.....	1	Nut		
35	A5042490	1	Spring-type straight pin	10×90                      ISO 8752	
40	A5210270	1	Safety catch	E-Ha	
40	A5210140	2	Safety catch	D-Ha	
50	A70005287	2	S.W.L.-sign set	10 ton	Pos.51
50	A70004885	2	S.W.L.-sign set	11 ton	Pos.51
50	A70003759	2	S.W.L.-sign set	3200 kg	Pos.51
50	A70003786	2	S.W.L.-sign set	4000 kg	Pos.51
50	A70005271	2	S.W.L.-sign set	5000 kg	Pos.51
50	A70004885	2	S.W.L.-sign set	8000 kg	Pos.51
50	A70004904	2	S.W.L.-sign set	10000 kg	Pos.51
50	A70004912	2	S.W.L.-sign set	12500 kg	Pos.51
51	A5078310	2	Blind rivet	3×5	
53	A70002026	2	Name plate set		Pos.54
54	A5078310	4	Blind rivet	3×5	

1) Please state capacity

Spare parts list  
YKD/SKD, YKE/SKE

H227-4 bottom hook block (4PS, max. 12500 kg, 15 US tons)



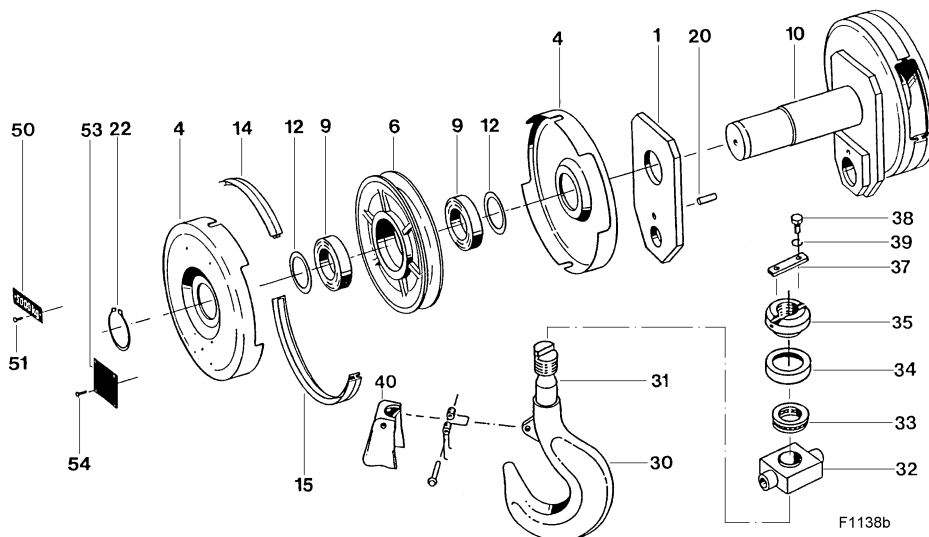
W0912\_3

Item	Part no.	Qty.	Description	Specification	Comment
	A70008399	1	Bottom hook block	H227-4 E-Ha 11 ton	
	A0143087510	1	Bottom hook block	H227-4 E-Ha 15 ton	
	A0143086510	1	Bottom hook block	H227-4 E-Ha 5000 kg	
	A0143083510	1	Bottom hook block	H227-4 E-Ha 8000 kg	
	A0143084510	1	Bottom hook block	H227-4 E-Ha 10000 kg	
	A0143085510	1	Bottom hook block	H227-4 E-Ha 12500 kg	
	A0143054510	1	Bottom hook block	H227-4 D-Ha	1)
1	A70002726	2	Protection hood	Outside, painted	
2	A70002734	2	Protection hood	Inside, painted	
3	A0143003530	2	Rope pulley	D 8.9 in	
3	A0143017530	2	Rope pulley, intensified	D 8.9 in	
5	A5069360	2	Retaining ring	50×2 DIN 471	
6	A5071630	4	Adjusting washer	50×62×0.5 DIN 988	
8	A2533026520	1	Load hook	RSN 5 E-Ha	Pos.9
9	A5210270	1	Safety catch		
10	A2533013520	1	Ramshorn hook	RS 5 D-Ha	Pos.11
11	A5210140	1	Safety catch		
13	A70045750	1	Bearing set		
22	A70005288	2	S.W.L.-sign set	11 ton	Pos.23
22	A70005290	2	S.W.L.-sign set	15 ton	Pos.23
22	A70005271	2	S.W.L.-sign set	5000 kg	Pos.23
22	A70004885	2	S.W.L.-sign set	8000 kg	Pos.23
22	A70004904	2	S.W.L.-sign set	10000 kg	Pos.23
22	A70004912	2	S.W.L.-sign set	12500 kg	Pos.23
23	A5078310	2	Blind rivet	3×5	
24	A70000110	2	Name plate set		Pos.25
25	A5078310	4	Blind rivet	3×5	

1) Please state capacity

Spare parts list  
YKD/SKD, YKE/SKE

H252-4 bottom hook block



Item	Part no.	Qty.	Description	Specification	Comment
	A70017748	1	Bottom hook block	H252-4 E-Ha 5 ton	
	A0333029610	1	Bottom hook block	H252-4 E-Ha 11 ton	
	A0333036610	1	Bottom hook block	H252-4 E-Ha 12 ton	
	A0333011610	1	Bottom hook block	H252-4 E-Ha 15 ton	
	A0333032610	1	Bottom hook block	H252-4 E-Ha 5000 kg	
	A70007354	1	Bottom hook block	H252-4 E-Ha 6300 kg	
	A0333009610	1	Bottom hook block	H252-4 E-Ha 8000 kg	
	A0333010610	1	Bottom hook block	H252-4 E-Ha 10000 kg	
	A0333026610	1	Bottom hook block	H252-4 E-Ha 12500 kg	
	A0333012610	1	Bottom hook block	H252-4 E-Ha 16000 kg	
	A0333046510	1	Bottom hook block	H252-4 D-Ha	1)
1	A0333546170	2	Side cheek		
4	A70007290	4	Protection hood	Painted	
6	A0333040530	2	Rope pulley	D 9.8 in	Pos.9
6	A0143019530	2	Rope pulley, intensified	D 9.8 in	Pos.9
9	A5609530	4	Bearing	6212-2Z DIN 625	
10	A0333550140	1	Axle		
12	A5078000	4	Adjusting washer	60×75×1.5 DIN 988	
14	A0333540570	2	Joining element		
15	A0333541570	2	Joining element		
20	A5041470	2	Dowel pin	6×30 DIN 1473	
22	A5069190	2	Retaining ring	60×3 DIN 471	
30	A70007358	1	Load hook	RSN 6 E-Ha	Pos.31 – 40
30	A70007369	1	Load hook	RSN 6 D-Ha	Pos.31 – 40
32	.....	1	Traverse		
33	A5609630	1	Bearing	51214 DIN 711	
34	.....	1	Guard plate		
35	.....	1	Nut		
37	.....	1	Locking plate		
38	A5009440	2	Screw	M10×16 DIN 933-8.8	
39	A5062180	2	Spring washer	A10 DIN 127	
40	A5210280	1	Safety catch	E-Ha	
40	A5210020	2	Safety catch	D-Ha	
50	A70005280	2	S.W.L.-sign set	5 ton	Pos.51
50	A70005288	2	S.W.L.-sign set	11 ton	Pos.51

01-c.2.6.14-us-8.1-ys | A11869401 Rev.AF

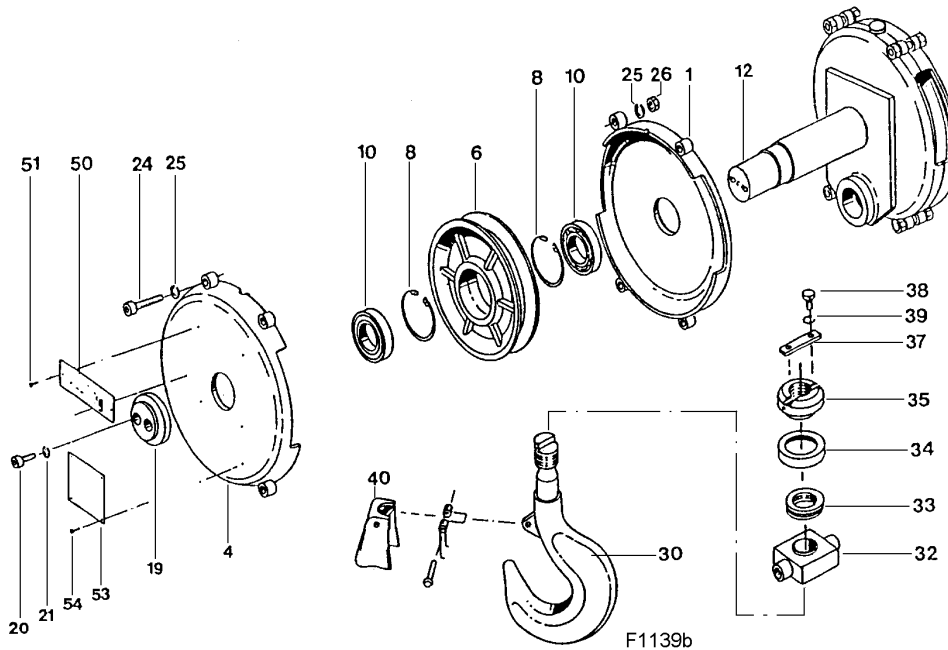
**Spare parts list**  
**YKD/SKD, YKE/SKE**

Item	Part no.	Qty.	Description	Specification	Comment
50	A70007346	2	S.W.L.-sign set	12 ton	Pos.51
50	A70005290	2	S.W.L.-sign set	15 ton	Pos.51
50	A70005271	2	S.W.L.-sign set	5000 kg	Pos.51
50	A70004852	2	S.W.L.-sign set	6300 kg	Pos.51
50	A70004885	2	S.W.L.-sign set	8000 kg	Pos.51
50	A70004904	2	S.W.L.-sign set	10000 kg	Pos.51
50	A70004912	2	S.W.L.-sign set	12500 kg	Pos.51
50	A70010952	2	S.W.L.-sign set	15000 kg	Pos.51
50	A70007351	2	S.W.L.-sign set	16000 kg	Pos.51
51	A5078310	2	Blind rivet	3×5	
53	A70007372	2	Name plate set		Pos.54
54	A5078310	4	Blind rivet	3×5	

1) Please state capacity

Spare parts list  
YKD/SKD, YKE/SKE

H375-4 bottom hook block



Item	Part no.	Qty.	Description	Specification	Comment
	A0333025610	1	Bottom hook block	H375-4 E-Ha 20 ton	
	A0333019610	1	Bottom hook block	H375-4 E-Ha 25 ton	
	A0333039610	1	Bottom hook block	H375-4 E-Ha 30 ton	
	A70011584	1	Bottom hook block	H375-4 E-Ha 5000 kg	
	A0333031610	1	Bottom hook block	H375-4 E-Ha 10000 kg	
	A70010951	1	Bottom hook block	H375-4 E-Ha 15000 kg	
	A0333040610	1	Bottom hook block	H375-4 E-Ha 16000 kg	
	A0333020610	1	Bottom hook block	H375-4 E-Ha 20000 kg	
	A0333065510	1	Bottom hook block	H375-4 D-Ha	1)
1	A0333037540	2	Side cheek		
4	A0333060550	2	Protection hood	Painted	
6	A2533000530	1	Rope pulley	D 14.8 in	Pos.8, 10
6	A143023530	1	Rope pulley, intensified	D 14.8 in	Pos.8, 10
8	A5069380	2	Retaining ring	125x4	DIN 472
10	A5600000	2	Bearing	6214-Z	DIN 625
12	A0333561140	1	Axle		
19	A2533502310	2	Retaining disc		
20	A5009720	4	Screw	M12x20	DIN 912-8.8
21	A5069050	4	Spring washer	12	DIN 7980
24	A5004080	8	Screw	M12x60	DIN 6912-8.8
25	A5069050	16	Spring washer	12	DIN 7980
26	A5065500	8	Nut	M12	DIN 934-8
30	A70007377	1	Load hook	RSN 10 E-Ha	Pos.31 – 40
30	A70007383	1	Load hook	RSN 10 D-Ha	Pos.31 – 40
32	.....	1	Traverse		
33	A5609640	1	Bearing	51218	DIN 711
34	.....	1	Guard plate		
35	.....	1	Nut		
37	.....	1	Locking plate		
38	A5003280	2	Screw	M10x12	DIN 933-8.8
39	A5062180	2	Spring washer	A10	DIN 127
40	A5210290	1	Safety catch	E-Ha	

ol-c.2.6.14-us-8.1-ys | A11869401 Rev AF

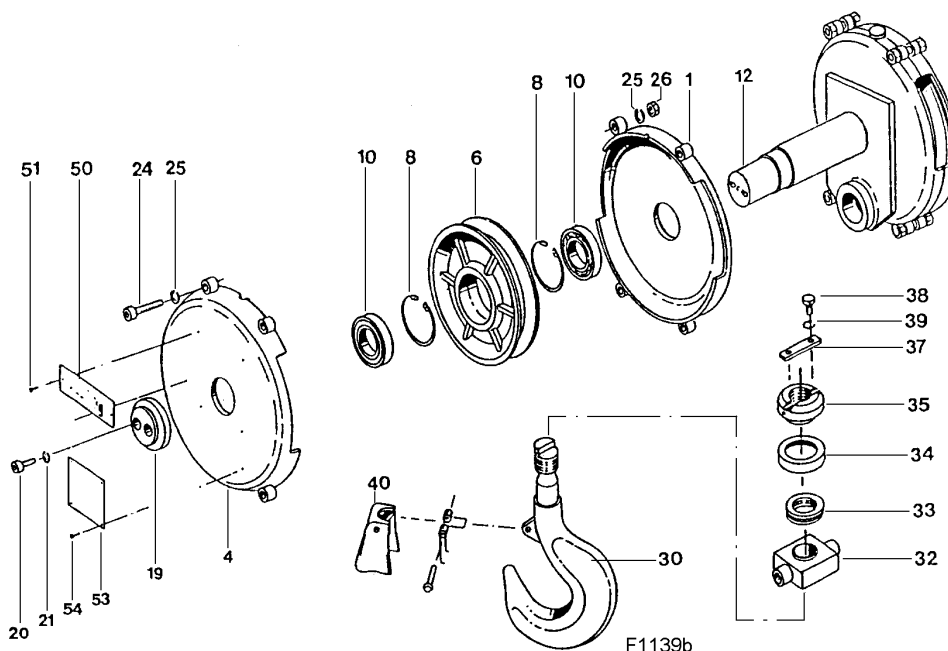
**Spare parts list**  
**YKD/SKD, YKE/SKE**

Item	Part no.	Qty.	Description	Specification	Comment
40	A5210170	2	Safety catch	D-Ha	
50	A70007387	2	S.W.L.-sign set	20 ton	Pos.51
50	A70007390	2	S.W.L.-sign set	25 ton	Pos.51
50	A70007393	2	S.W.L.-sign set	30 ton	Pos.51
50	A70005271	2	S.W.L.-sign set	5000 kg	Pos.51
50	A70004904	2	S.W.L.-sign set	10000 kg	Pos.51
50	A70010952	2	S.W.L.-sign set	15000 kg	Pos.51
50	A70007351	2	S.W.L.-sign set	16000 kg	Pos.51
50	A70007394	2	S.W.L.-sign set	20000 kg	Pos.51
51	A5078310	2	Blind rivet	3×5	
53	A70007297	2	Name plate set		Pos.54
54	A5078310	4	Blind rivet	3×5	

1) Please state capacity

Spare parts list  
YKD/SKD, YKE/SKE

H377-4 bottom hook block



Item	Part no.	Qty.	Description	Specification	Comment
	A0333013610	1	Bottom hook block	H377-4 E-Ha 8000 kg	
	A70007397	1	Bottom hook block	H377-4 E-Ha 16000 kg	
	A70007487	1	Bottom hook block	H377-4 E-Ha 20000 kg	
	A70007489	1	Bottom hook block	H377-4 E-Ha 25000 kg	
	A0333054510	1	Bottom hook block	H377-4 D-Ha	1)
1	A0333037540	2	Side cheek		
4	A0333060550	2	Protection hood	Painted	
6	A0333069530	1	Rope pulley	D 14.8 in	Pos.8, 10
6	A0143022530	1	Rope pulley, intensified	D 14.8 in	Pos.8, 10
8	A5069380	2	Retaining ring	125x4 DIN 472	
10	A5600000	2	Bearing	6214-Z DIN 625	
12	A0333565140	1	Axle		
19	A2533502310	2	Retaining disc		
20	A5009720	4	Screw	M12x20 DIN 912-8.8	
21	A5069050	4	Spring washer	12 DIN 7980	
24	A5004080	8	Screw	M12x60 DIN 6912-8.8	
25	A5069050	16	Spring washer	12 DIN 7980	
26	A5065500	8	Nut	M12 DIN 934-8	
30	A70007377	1	Load hook	RSN 10 E-Ha	Pos.31 – 40
30	A70007383	1	Load hook	RSN 10 D-Ha	
32	.....	1	Traverse		
33	A5609640	1	Bearing	51218 DIN 711	
34	.....	1	Guard plate		
35	.....	1	Nut		
37	.....	1	Locking plate		
38	A5003280	2	Screw	M10x20 DIN 933-8.8	
39	A5062180	2	Spring washer	A10 DIN 127	
40	A5210290	1	Safety catch	E-Ha	
40	A5210170	2	Safety catch	D-Ha	
50	A70004885	2	S.W.L.-sign set	8000 kg	Pos.51
50	A70007351	2	S.W.L.-sign set	16000 kg	Pos.51
50	A70007394	2	S.W.L.-sign set	20000 kg	Pos.51



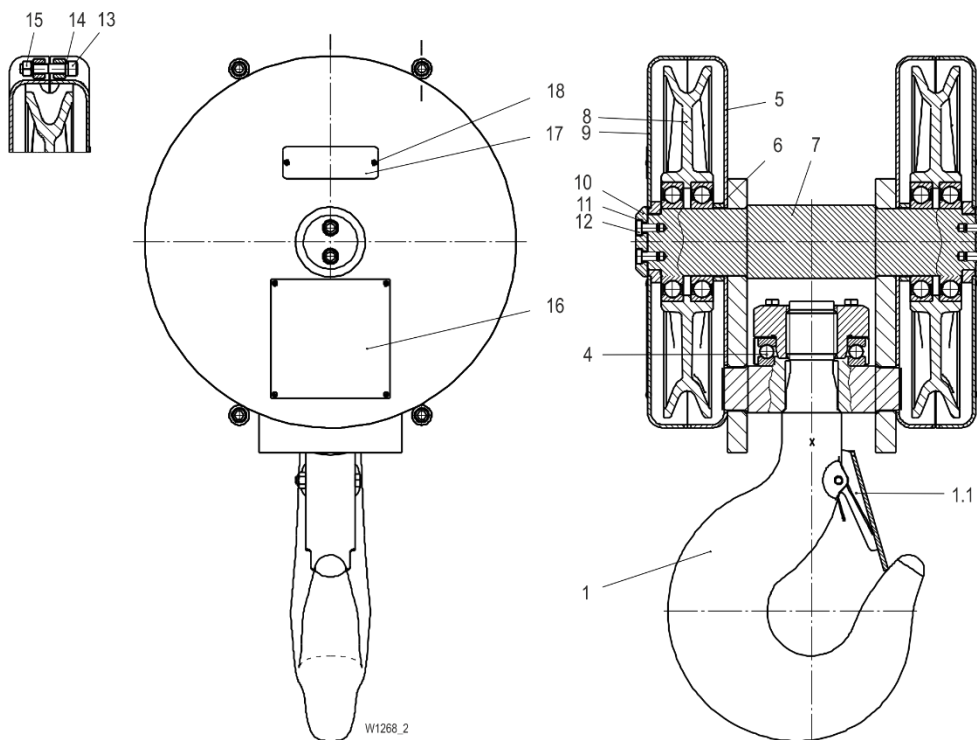
## Spare parts list YKD/SKD, YKE/SKE

Item	Part no.	Qty.	Description	Specification	Comment
50	A70007395	2	S.W.L.-sign set	25000 kg	Pos.51
51	A5078310	2	Blind rivet	3×5	
53	A70007297	2	Name plate set		Pos.54
54	A5078310	4	Blind rivet	3×5	

1) Please state capacity

Spare parts list  
YKD/SKD, YKE/SKE

H378-4 bottom hook block

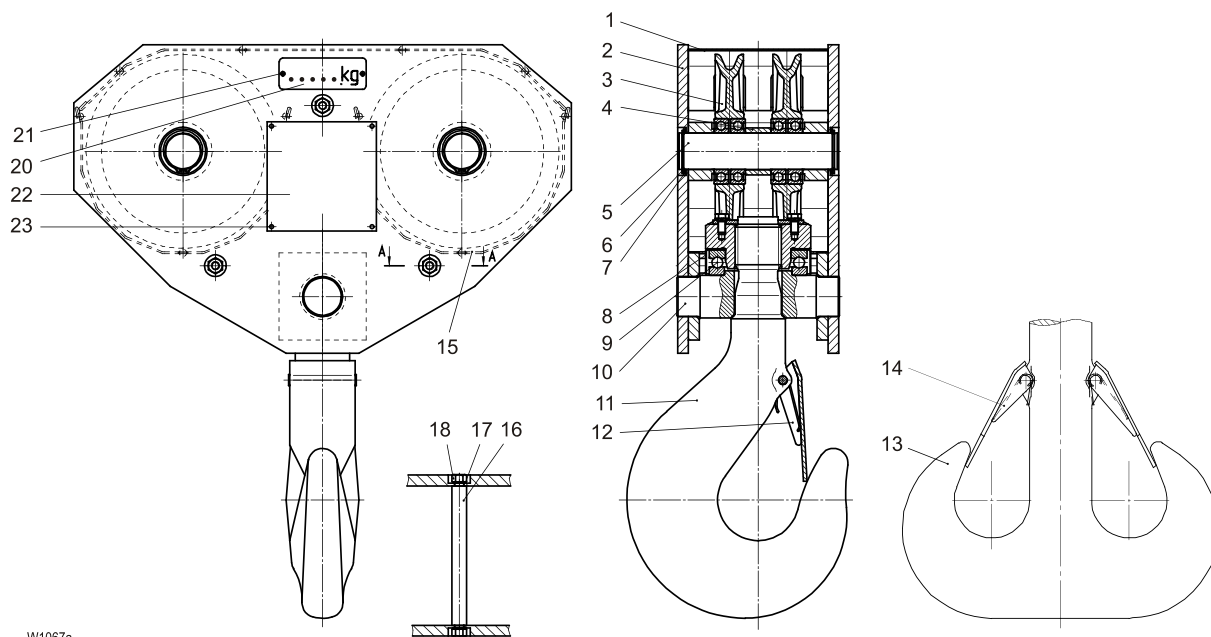


Item	Part no.	Qty.	Description	Specification	Comment
	A0333079530	1	Bottom hook block	H378-4 E-Ha	1)
	A0333018510	1	Bottom hook block	H378-4 D-Ha	1)
1	A0143016520	1	Load hook	RSN 10 E-Ha	
1	A0143017520	1	Ramshorn hook	RF 10 D-Ha	
1.1	A5210290	1	Safety catch	RSN 10 E-Ha	
1.1	A5210170	2	Safety catch	RSN 10 D-Ha	
4	A5609640	1	Bearing	51218	DIN 711
5	A0333037540	2	Side cheek		
6	A0333501520	2	Bushing		
7	A0333502140	1	Axle		
8	A0333001530	2	Rope pulley compl.		
9	A0333012550	2	Protection hood		
10	A2533502310	2	Retaining disc		
11	A5068410	4	Safety washer	S12	
12	A5009720	4	Screw	M12×20	DIN 6912-8.8
13	A5004080	8	Screw	M12×60	ISO 4762-8.8
14	A5069050	16	Spring washer	12	DIN 7980
15	A5065500	8	Nut	M12	ISO 4032
16	A70007297	2	Name plate set		Pos.18
18	A5078310	4	Blind rivet		
17	A5033537450	2	S.W.L.-sign set	20000 kg	Pos.18
17	A5033538450	2	S.W.L.-sign set	25000 kg	Pos.18
17	A5033539450	2	S.W.L.-sign set	32000 kg	Pos.18
18	A5078310	2	Blind rivet	3×5	

1) Please state capacity

Spare parts list  
YKD/SKD, YKE/SKE

U225-8 bottom hook block



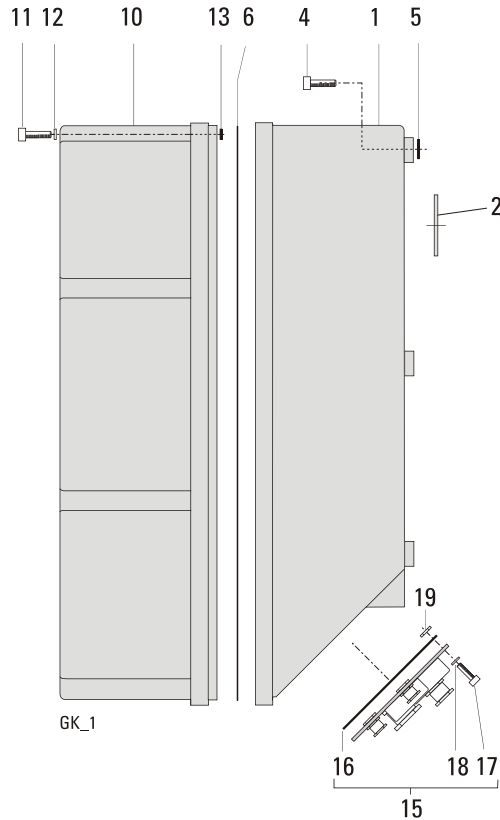
W1067a

Item	Part no.	Qty.	Description	Specification	Comment
	A70010942	1	Bottom hook block	U225-8 E-Ha 20 ton	
	A70007493	1	Bottom hook block	U225-8 E-Ha 16000 kg	
	A70007494	1	Bottom hook block	U225-8 E-Ha 20000 kg	
	A70007495	1	Bottom hook block	U225-8 E-Ha 25000 kg	
	A0143054530	1	Bottom hook block	U225-8 D-Ha	1)
1	A0143502150	1	Protection plate		
2	A0143004540	2	Side cheek		
3	A0143003530	4	Rope pulley	D 8.9 in	
3	A0143017530	4	Rope pulley, intensified	D 8.9 in	
4	A0143501510	2	Spacer ring		
5	A0143515140	2	Axle		
6	A5069360	4	Retaining ring	50×2 DIN 471	
7	A5068270	4	Adjusting washer	50×62×2 DIN 988	
8	.....	1	Protection plate		
9	A5609640	1	Bearing	51218 DIN 711	
10	.....	1	Traverse		
11	A70007377	1	Load hook	RSN 10 E-Ha	Pos.12
12	A5210290	1	Safety catch		
13	A70007383	1	Ramshorn hook	RF 10 D-Ha	Pos.14
14	A5210170	2	Safety catch		
15	A0143503150	1	Protection plate		
16	A0143501920	3	Distance bolt		
17	A5068410	6	Safety washer	S12 vz	
18	A5065500	6	Nut	M12 ISO 4032-8	
20	A70007387	2	S.W.L.-sign set	20 ton	Pos.21
20	A70007351	2	S.W.L.-sign set	16000 kg	Pos.21
20	A70007394	2	S.W.L.-sign set	20000 kg	Pos.21
20	A70007395	2	S.W.L.-sign set	25000 kg	Pos.21
21	A5078310	2	Blind rivet	3×5	
22	A70007297	2	Name plate set		Pos.23
23	A5078310	4	Blind rivet	3×5	

1) Please state capacity

Spare parts list  
YKD/SKD, YKE/SKE

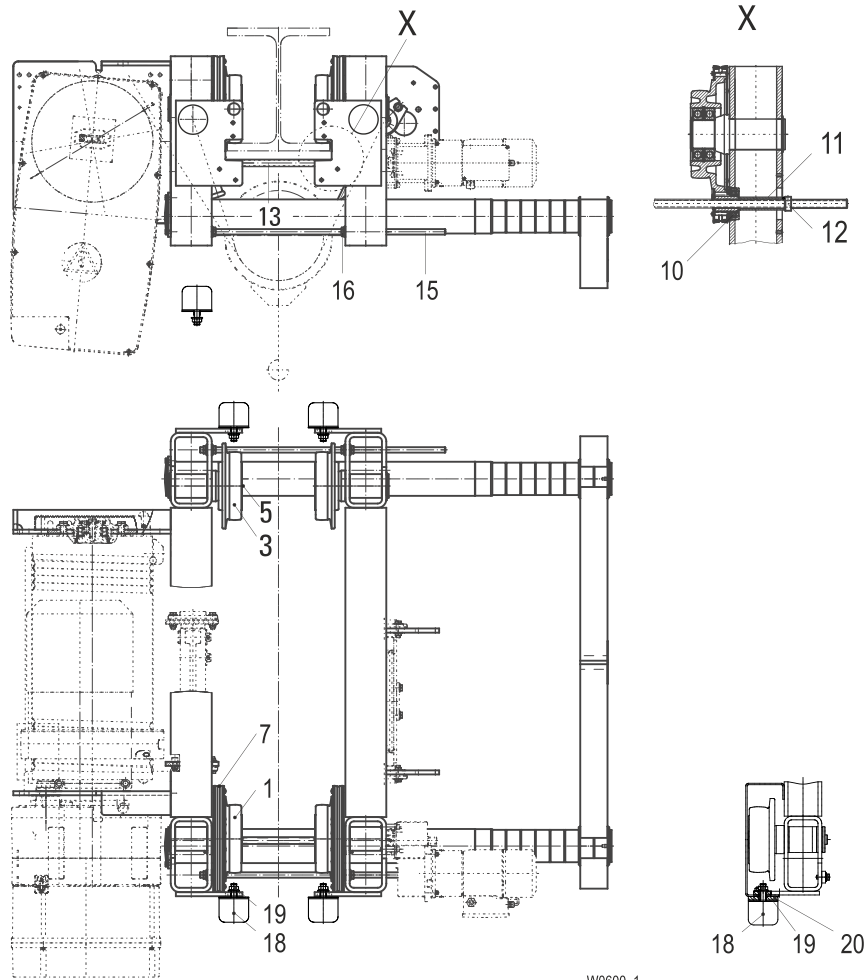
Terminal box



Item	Part no.	Qty.	Description	Specification	Comment
1	A70021941	1	Terminal box	YK	Pos.2
1	A70021945	1	Terminal box	SK	Pos.2
2	A0643902950	1	Sealing ring		
4	A5002340	8	Screw	M8×25	DIN 912-8.8
5	A5159360	8	Round sealing ring	5×2.5	
6	A0643901950	1	Seal		
10	A70021954	1	Box cover	YK	
10	A70021955	1	Box cover	SK	
11	A5002280	8	Screw	M5×20	DIN 912-8.8
12	A5070510	8	Safety washer	S5	
13	A5150070	8	Round sealing ring	4.0×1.5	
15	A06430..980	1	Flange plate		Pos.16– 19 1)
16	A0643900950	1	Seal		
17	A5011430	10	Screw	8×12	DIN 6912
18	A5061800	10	Disc	B8.4	DIN 125
19	A5071120	10	Locking nut	M8	

1) Please state serial no.

KE-S76 trolley



W0600\_1

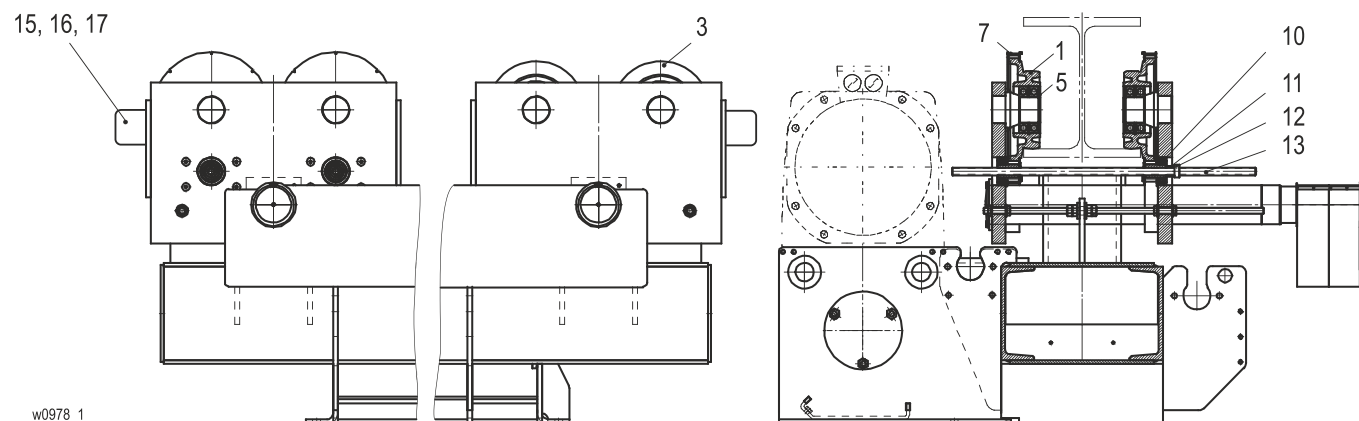
Item	Part no.	Qty.	Description	Specification	Comment
1	A2734000650	2	Wheel set	A200	Pos.5
3	A0725000640	2	Wheel set	B200	Pos.5
5	A5069160	4	Retaining ring	65×2.5	
7	A0725005420	2	Wheel cover		
10	A2127003390	2	Flange bearing complete		
11	A2127300510	1	Distance pipe		
12	A5044260	1	Adjusting ring	DIN 705	
13	A2127315600	1	Drive shaft	15.8 – 19.7 in	1)
13	A2127316600	1	Drive shaft	4.9 – 8.7 in	1)
13	A2127318600	1	Drive shaft	8.7 – 15.7 in	1)
15	A0250029	1	Threaded bolt	M16×720	
16	A5071980	8	Locking nut	M16	
18	A2634000450	4	Buffer assembly	63×53	Pos.19 – 20
19	.....	4	Locking nut	M12	
20	.....	4	Distance disc		

1) Flange width

# Spare parts list

## YKD/SKD, YKE/SKE

### UE-S77 trolley



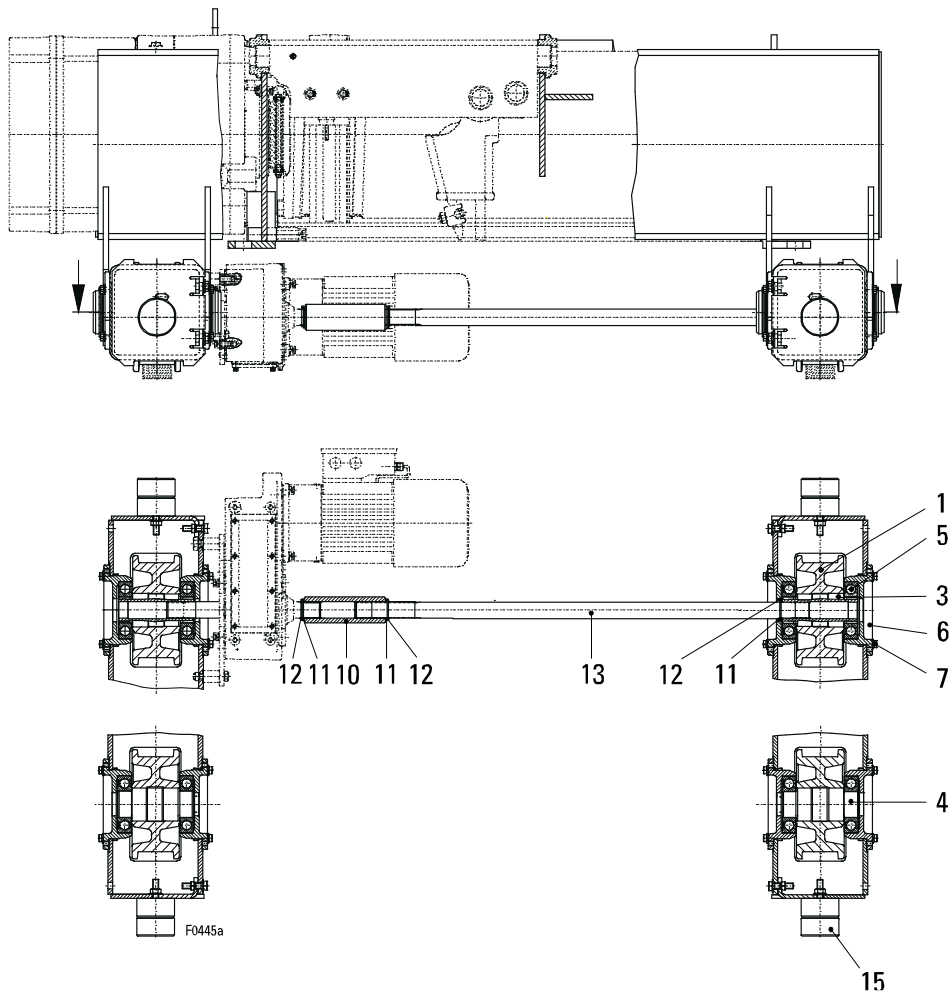
w0978\_1

Item	Part no.	Qty.	Description	Specification	Comment
1	A2734000650	2	Wheel set	A200	Pos.5
3	A0725000640	2	Wheel set	B200	Pos.5
5	A5069160	4	Retaining ring	65×2.5	
7	A0725007420	2	Wheel cover		
10	A2127003390	2	Flange bearing complete		
11	A2127301510	1	Distance pipe		
12	A5044260	1	Adjusting ring	DIN 705	
13	A2127315600	1	Drive shaft	15.8 – 19.7 in	1)
13	A2127316600	1	Drive shaft	4.9 – 8.7 in	1)
13	A2127318600	1	Drive shaft	8.7 – 15.7 in	1)
15	A2634000450	4	Buffer assembly	63×53	Pos.16 – 17
16	.....	4	Locking nut	M12	
17	.....	4	Distance disc		

1) Flange width

Spare parts list  
YKD/SKD, YKE/SKE

OE-S06 trolley

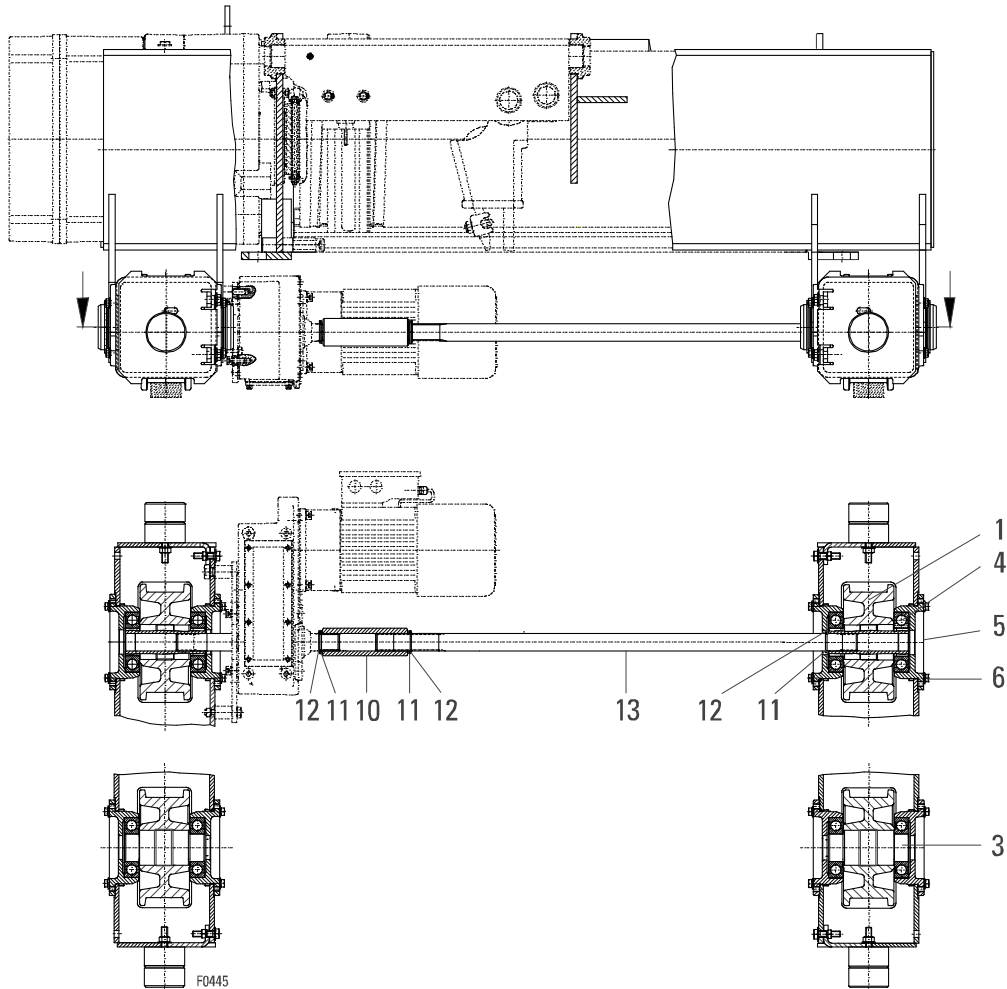


Item	Part no.	Qty.	Description	Specification	Comment
1	A2425420010	4	Wheel	D 160	b1=2.05 in, k=1.6 in 1)
1	A2425421010	4	Wheel	D 160	b1=2.44 in, k=2.0 in 1)
3	A2425424140	2	Travelling wheel shaft		
4	A2425421170	2	Axle		
5	A5600490	8	Bearing	6211-2Z	DIN 625
6	A2671203580	8	Bearing cover		
7	A5011040	24	Locking screw	M10×20-10	
10	A2227500350	1	Coupling sleeve		
11	A5068150	3	Supporting ring	S30×42×2.5	DIN 988
12	A5061210	3	Retaining ring	30×2	DIN 471
13	A2227504140	1	Drive shaft	49.2 in	2)
13	A2227505140	1	Drive shaft	55.1 in	2)
13	A2227509140	1	Drive shaft	70.9 in	2)
13	A2227506140	1	Drive shaft	88.2 in	2)
13	A2227507140	1	Drive shaft	110.2 in	2)
13	A2227508140	1	Drive shaft	124.0 in	2)
15	A2571011230	4	Buffer		

1) b1=wheel tread, k=rail width  
2) Track gauge

Spare parts list  
YKD/SKD, YKE/SKE

OE-S07 trolley



Item	Part no.	Qty.	Description	Specification	Comment
1	A0725701010	2	Wheel	D 200	b1=2.13 in, k=1.6 in 1)
1	A0725702010	2	Wheel	D 200	b1=2.52 in, k=2.0 in 1)
1	A0725703010	2	Wheel	D 200	b1=2.91 in, k=2.4 in 1)
3	A0725700050	2	Wheel	D 200	b1=2.13 in, k=1.6 in 1)
3	A0725701050	2	Wheel	D 200	b1=2.52 in, k=2.0 in 1)
3	A0725702050	2	Wheel	D 200	b1=2.91 in, k=2.4 in 1)
4	A5600400	8	Bearing	6311-2Z	DIN 625
5	A2771203580	8	Bearing flange		
6	A5011170	32	Safety bolt	M10×30	
10	A2327300350	1	Coupling sleeve		
11	A5068920	3	Supporting ring	S35×46×2.5	DIN 988
12	A5061270	3	Retaining ring	35×2.5	DIN 471
13	A2327300140	1	Drive shaft	55.1 in	2)
13	A2327301140	1	Drive shaft	70.9 in	2)
13	A2327302140	1	Drive shaft	88.2 in	2)
13	A2327303140	1	Drive shaft	110.2 in	2)
13	A2327304140	1	Drive shaft	124.0 in	2)
15	A2571011230	4	Buffer		

1) b1=wheel tread, k=rail width  
2) Track gauge





## RECOMMENDED SPARE PARTS

Certain parts of your hoist will, in time, require replacement under normal wear conditions. It is suggested that the following parts be purchased for your hoist as spares for future use.

- One Brake Friction Disc
- One Brake Control Module
- One Brake Hardware Kit
- One Set of Contactors
- One Transformer
- One Wire Rope Assembly
- One Hook Latch Kit

**Note:** When ordering parts always furnish Hoist Serial Number, Catalog Number, Motor power, Voltage, Phase, Frequency and Rated Load of Hoist on which the parts are to be used.

### PARTS AND SERVICES ARE AVAILABLE IN THE UNITED STATES AND IN CANADA

Parts for your hoist or trolley are available from your local authorized repair station. For the name of the nearest parts or service center, visit our website [www.cmworks.com](http://www.cmworks.com) or call the Columbus McKinnon customer service department at (800) 888-0985.

# WARRANTY

## LIMITATION OF WARRANTIES, REMEDIES AND DAMAGES

### INDEMNIFICATION AND SAFE OPERATION

Buyer shall comply with and require its employees to comply with directions set forth in instructions and manuals furnished by Seller and shall use and require its employees to follow such instructions and manuals and to use reasonable care in the use and maintenance of the goods. Buyer shall not remove or permit anyone to remove any warning or instruction signs on the goods. In the event of personal injury or damage to property or business arising from the use of the goods, Buyer shall within 48 hours thereafter give Seller written notice of such injury or damage. Buyer shall cooperate with Seller in investigating any such injury or damage and in the defense of any claims arising therefrom.

If Buyer fails to comply with this section or if any injury or damage is caused, in whole or in part, by Buyer's failure to comply with applicable federal or state safety requirements, Buyer shall indemnify and hold Seller harmless against any claims, loss or expense for injury or damage arising from the use of the goods.

### CMCO Warranty (HOISTS)

- A. Columbus McKinnon Corporation ("Seller") warrants to the original end user ("Buyer") that: (a) for a period of one (1) year from the date of Seller's delivery of the goods (collectively, the "Goods") to the carrier, the electrical components of the Goods will be free from defects in workmanship and materials; and (b) for a period of three (3) years from the date of Seller's delivery of the goods (collectively, the "Goods") to the carrier, the mechanical components of the Goods will be free from defects in workmanship and materials.
- B. IN THE EVENT OF ANY BREACH OF SUCH WARRANTY, SELLER'S SOLE OBLIGATION SHALL BE EXCLUSIVELY LIMITED TO, AT THE OPTION OF SELLER, REPAIR OR REPLACEMENT, F.O.B. SELLER'S POINT OF SHIPMENT, OF ANY GOODS THAT SELLER DETERMINES TO HAVE BEEN DEFECTIVE OR, IF SELLER DETERMINES THAT SUCH REPAIR OR REPLACEMENT IS NOT FEASIBLE, TO A REFUND OF THE PURCHASE PRICE UPON RETURN OF THE GOODS TO SELLER. NO CLAIM AGAINST SELLER FOR ANY BREACH OF (i) SUCH WARRANTY WITH RESPECT TO THE ELECTRICAL COMPONENTS OF ANY GOOD SHALL BE VALID OR ENFORCEABLE UNLESS BUYER'S WRITTEN NOTICE THEREOF IS RECEIVED BY SELLER WITHIN ONE (1) YEAR FROM THE DATE OF SELLER'S DELIVERY TO THE CARRIER AND (ii) SUCH WARRANTY WITH RESPECT TO THE MECHANICAL COMPONENTS OF ANY GOOD SHALL BE VALID OR ENFORCEABLE UNLESS BUYER'S WRITTEN NOTICE THEREOF IS RECEIVED BY SELLER WITHIN ONE (1) YEAR FROM THE DATE THE DATE ANY ALLEGED CLAIM ACCRUES. EXCEPT FOR THE WARRANTY SET FORTH ABOVE, SELLER MAKES NO OTHER WARRANTIES WITH RESPECT TO THE GOODS, WHETHER EXPRESSED OR IMPLIED, INCLUDING ANY WARRANTIES OF MERCHANTABILITY, FITNESS FOR A PARTICULAR PURPOSE, QUALITY AND/OR THOSE ARISING BY STATUTE OR OTHERWISE BY LAW OR FROM ANY COURSE OF DEALING OR USE OF TRADE, ALL OF WHICH ARE HEREBY EXPRESSLY DISCLAIMED.

- C. IN NO EVENT SHALL SELLER BE LIABLE TO BUYER OR ANY THIRD PARTY WITH RESPECT TO ANY GOOD, WHETHER IN CONTRACT, TORT OR OTHER THEORY OF LAW, FOR LOSS OF PROFITS OR LOSS OF USE, OR FOR ANY INCIDENTAL, CONSEQUENTIAL, SPECIAL, DIRECT OR INDIRECT DAMAGES, HOWSOEVER CAUSED. SELLER'S MAXIMUM LIABILITY TO BUYER WITH RESPECT TO THE GOODS SHALL IN NO EVENT EXCEED THE PRICE PAID BY BUYER FOR THE GOODS THAT ARE THE SUBJECT OF THE APPLICABLE CLAIM.
- D. Seller shall not be liable for any damage, injury or loss arising out of the use of the Goods if, prior to such damage, injury or loss, such Goods are: (1) damaged or misused following Seller's delivery to the carrier; (2) not maintained, inspected, or used in compliance with applicable law and Seller's written instructions and recommendations; or (3) installed, repaired, altered or modified (a) with any part or accessory other than those supplied by Seller or (b) without compliance with such laws, instructions or recommendations.
- E. This warranty is limited and provided only to the original end user. **Each Good must be registered within sixty (60) days of receipt of each product to establish eligibility.** Please register at [www.cmworks.com/hoist-warranty-registration](http://www.cmworks.com/hoist-warranty-registration) or submit registration card via US mail.
- F. Any action against Seller for breach of warranty, negligence or otherwise in connection with the electrical components of any Good must be commenced by Buyer within one (1) year after: (a) the date any alleged claim accrues; or (b) the date of delivery of the Goods to Buyer, whichever is earlier. Any action against Seller for breach of warranty, negligence or otherwise in connection with the mechanical components of any Good must be commenced by Buyer within one (1) year after the date any alleged claim accrues.
- G. This warranty is contingent upon Buyer's proper maintenance and care of the Goods, and does not extend to normal wear and tear. Seller reserves the right, at its option, to void this warranty in the event of Buyer's use with the Goods of parts or accessories other than those supplied by Seller.

## ⚠ WARNING

**Alterations or modifications of equipment and use of non-factory repair parts can lead to dangerous operation and injury.**

### TO AVOID INJURY:

- Do not alter or modify equipment.
- Do use only factory replacement parts.



**USA:** Ph: (800) 888.0985 • (716) 689.5400 • Fax: (716) 689.5644 • [www.cmworks.com](http://www.cmworks.com)

**CANADA:** Ph: (877) 264.6478 • Fax: (877) 264.6477 • [www.cmworks.com](http://www.cmworks.com)